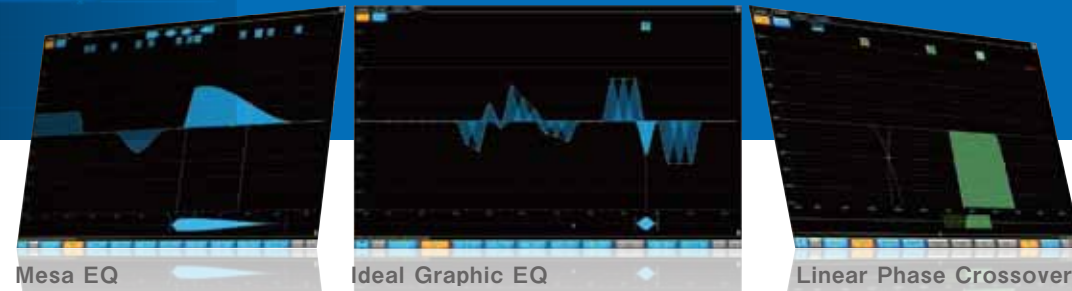


lake
PROCESSING

About Lake Processing

Cutting Edge Features with an Intuitive Interface

Lake Processing technology makes it possible to achieve maximum sonic quality in any live sound situation. Mesa EQ with asymmetrical response curves, Ideal Graphic EQ with minimum inter-band interference, Linear Phase Crossover that allows steep slopes without disrupting phase characteristics: these are some of the Lake Processing features that make it easy to deliver ideal sonic performance in venues of any size, with any acoustic characteristics, and with any speakers from any manufacturer. The intuitive Lake Controller user interface contributes to easy, efficient operation, even under the pressure of preparing for a live show.



The History of Lake and Sonic Evolution

The history of Lake processing began in the late 1990s, when live sound engineer, the late Bruce Jackson and DSP algorithm creator David McGrath, with the support of renowned sound reinforcement provider Clair Brothers, began development of a high-performance speaker processing system that would be both flexible and easy to operate. As a result of these efforts the Lake Contour speaker processor and Mesa Quad EQ system EQ were announced in 2001. The Lake processor was rapidly adopted by professionals throughout the world for the outstanding quality and operational efficiency it brought to the live sound environment. In 2004 the Lake Contour and

Mesa Quad EQ functions were combined in the revolutionary Dolby Lake Processor, a processor that became a standard in high-end live sound applications. 2007 saw the arrival of the PLM10000Q, created in cooperation with Lab.gruppen. After the technology passed fully into the capable hands of Lab.gruppen in 2009, further development led to the development and release of the revolutionary LM26 and the LM44 under the Lake brand. And in November of 2011, a close technological alliance between Yamaha and Lake has resulted in the development of the MY8-LAKE expansion card, making it possible to neatly integrate Lake processing into Yamaha digital mixing consoles for unprecedented sound management power and flexibility.

Specifications

Sampling Frequencies	44.1kHz, 48kHz, 88.2kHz, 96kHz
Internal Operating Frequency	96kHz(SRC built in)
Connectors	D-sub25pin(AES/EBU 8-in/8-out), RJ-45(for Lake Controller)
Compatible Devices	CL5/3/1, PM5D/-RH, DSP5D, M7CL, LS9, DM2000, 02R96, DM1000, 01V96i, DME64N/24N, TXn, DIO8 (PM1D)

*When using MY8-LAKE with the PM5D/-RH, a hardware upgrade for the PM5D/-RH is necessary. A fee will be charged for this upgrade.

YAMAHA

A Fusion of the Finest

Lake Processing Card

MY8-LAKE



YAMAHA

YAMAHA CORPORATION
P.O. BOX1, Hamamatsu Japan
www.yamahaproaudio.com

*All specifications are subject to change without notice. *All trademarks and registered trademarks are property of their respective owners.



Printed in Japan

Lake Processing Directly From Your Digital Mixer

Lake Processing has become the de-facto standard for speaker processing in live sound applications. The MY8-LAKE is a DSP card for Yamaha digital mixing consoles, developed through close technological cooperation between Yamaha and Lake. The full power of Mesa EQ, Ideal Graphic EQ, and Linear Phase Crossover functions are packed into one compact card, providing immense processing capability and precise, intuitive control right at your fingertips.



8-in/8-out Mesa mode (system EQ), 4-in/12-out Contour mode (crossover), or a combination of both for versatile processing.



Flexible system setup via Yamaha digital mixer insert points and MY8-LAKE card AES/EBU connectors.



96 kHz internal processing, supporting 44.1 kHz, 48 kHz, and 88.2 kHz sample rates.



Lake Controller software application allows comprehensive overall management of all Lake devices in the system.



Compatible with Smart sound system measurement software for efficient, effective speaker tuning.

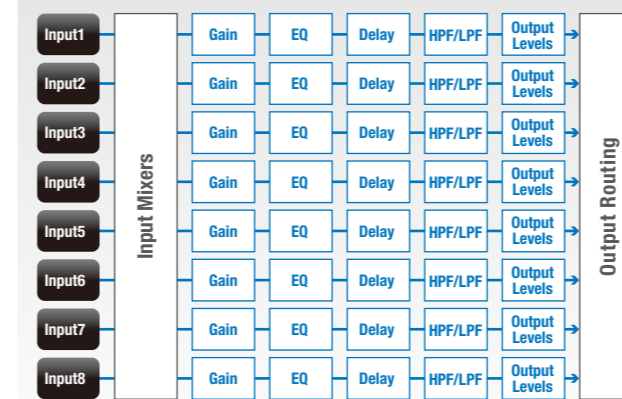


Over 1,000 speaker presets included for fast, accurate tuning with a wide range of systems.

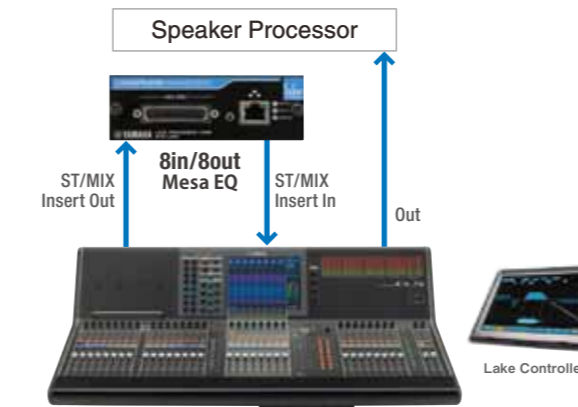
3 Modes to Match Any Application

The MY8-LAKE has three operating modes that can be selected to optimally support any system requirements.

1 Mesa Mode (System EQ) 8-in 8-out

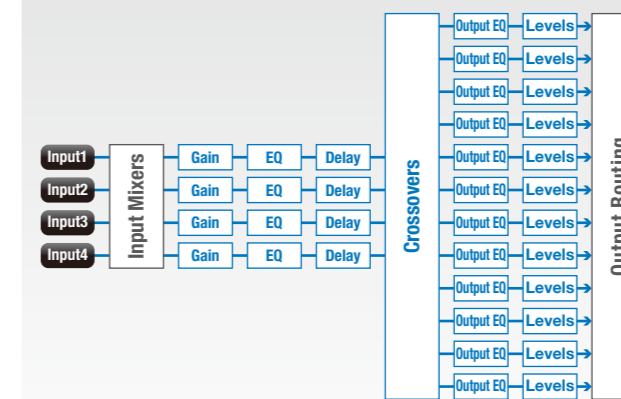


■ System EQ for the CL5

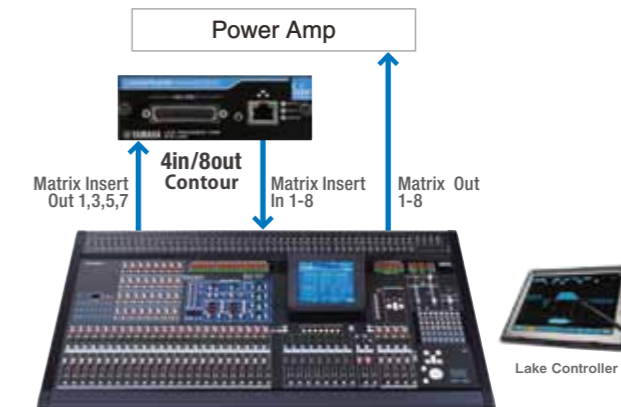


*8 system EQs
*Output can also be taken from the MY8-LAKE AES/EBU connectors.
*EQ grouping via the Lake Controller software is possible even when multiple MY8-LAKE cards are used.

2 Contour Mode (Crossover) 4-in 12-out

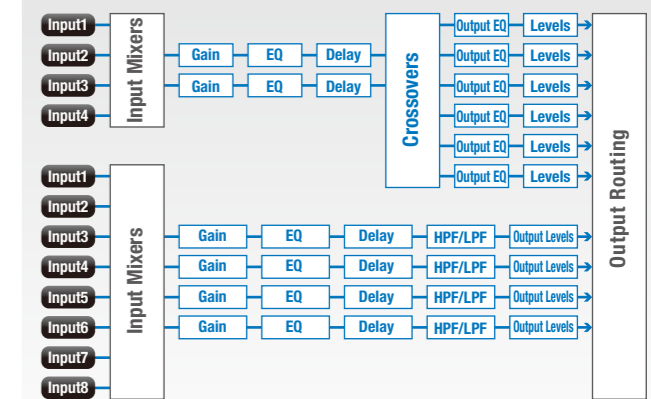


■ Crossover for the PM5D

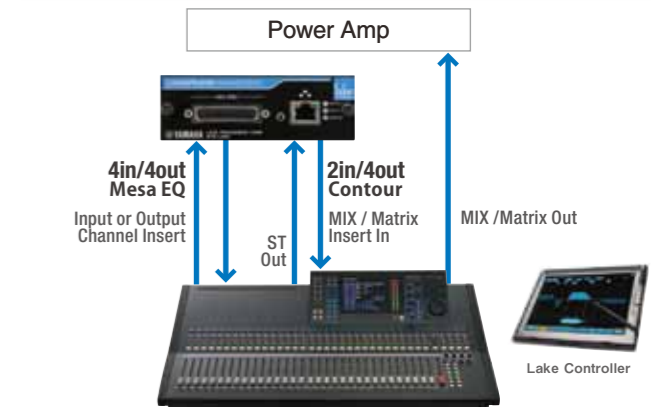


*4 crossovers (2-way).
*Up to 12 outs are available if the MY8-LAKE AES/EBU connectors are used.
*When using MY8-LAKE with the PM5D/-RH, a hardware upgrade for the PM5D/-RH is necessary. A fee will be charged for this upgrade.

3 Mesa & Contour (Combination) 4-in 4-out & 2-in 6-out



■ Input/Output EQ & Crossover for the LS9



*2 crossovers (2-way) plus 4 Mesa EQs for input channels and monitor speakers.
*Up to 6 Contour outs are available if the MY8-LAKE AES/EBU connectors are used.