



YST-SW45

Active Servo Processing Subwoofer System

Caisson de grave avec asservissement actif



**OWNER'S MANUAL
MODE D'EMPLOI
BEDIENUNGSANLEITUNG
BRUKSANVISNING
MANUALE DI ISTRUZIONI
MANUAL DE INSTRUCCIONES
GEBRUIKSAANWIJZING**

Thank you for selecting this YAMAHA subwoofer system.

CAUTION: READ THIS BEFORE OPERATING YOUR UNIT.

1. To assure the finest performance, please read this manual carefully. Keep it in a safe place for future reference.
2. Install this unit in a cool, dry, clean place, away from windows, heat sources, sources of excessive vibration, dust, moisture and cold. Avoid sources of humming (transformers, motors). To prevent fire or electrical shock, do not expose the unit to rain or water.
3. Never open the cabinet. If something drops into the set, contact your dealer.
4. Do not use force on switches, controls or connection wires. When moving the unit, first disconnect the power plug and the wires connected to other equipment. Never pull the wire itself.
5. Do not attempt to clean the unit with chemical solvents; this might damage the finish. Use a clean, dry cloth.
6. Be sure to read the "TROUBLESHOOTING" section regarding common operating errors before concluding that the unit is faulty.
7. When not planning to use this unit for long periods of time (i.e., vacation, etc.), disconnect the AC power plug from the wall outlet.
8. To prevent lightning damage, disconnect the AC power plug when there is an electrical storm.
9. Since this unit has a built-in power amplifier, heat will radiate from the rear panel. Therefore, place the unit apart from the walls, allowing enough space above, behind and on the both sides of the unit to prevent fire and damage. Also, do not position with the rear panel facing down on the floor or other surface.
<For U.K. and Europe models only >
Be sure to allow a space of at least 20 cm above, behind and on the both sides of the unit.
10. Super-bass frequencies reproduced by this unit may cause a turntable to generate a howling sound. In such a case, move this unit away from the turntable.
11. Vibration generated by super-bass frequencies may cause images on a TV to be distorted. In such a case, move this unit away from the TV set.
12. This unit features a magnetically shielded design, but there is still a chance that placing it too close to a TV set might impair picture color. Should this happen, move this unit away from the TV set.
13. If you hear distortion (i.e., unnatural, intermittent "rapping" or "hammering" sounds) coming from this unit, reduce the volume level. Extremely loud playing of a movie soundtrack's low frequency, bass-heavy sounds or similarly loud popular music passages can damage this speaker system.
14. **Voltage Selector (General and China Models only)**
The voltage selector on the rear panel of this unit must be set for your local main voltage BEFORE plugging into the AC main supply.
Voltages are AC 110/120/220/240V, 50/60 Hz.

15. **Secure placement or installation is the owner's responsibility.**
YAMAHA shall not be liable for any accident caused by improper placement or installation of speakers.

IMPORTANT

Please record the serial number of this unit in the space below.

Serial No.:

The serial number is located on the rear of the unit. Retain this Owner's Manual in a safe place for future reference.

WARNING

TO REDUCE THE RISK OF FIRE OR ELECTRIC SHOCK, DO NOT EXPOSE THIS UNIT TO RAIN OR MOISTURE.

FOR CANADIAN CUSTOMERS

TO PREVENT ELECTRIC SHOCK, MATCH WIDE BLADE OF PLUG TO WIDE SLOT AND FULLY INSERT.

THIS CLASS B DIGITAL APPARATUS COMPLIES WITH CANADIAN ICES-003.

For U.K. customers

If the socket outlets in the home are not suitable for the plug supplied with this appliance, it should be cut off and an appropriate 3 pin plug fitted. For details, refer to the instructions described below.

Note: The plug severed from the mains lead must be destroyed, as a plug with bared flexible cord is hazardous if engaged in a live socket outlet.

SPECIAL INSTRUCTIONS FOR U.K. MODEL

IMPORTANT

THE WIRES IN THE MAINS LEAD ARE COLOURED IN ACCORDANCE WITH THE FOLLOWING CODE:

Blue: NEUTRAL

Brown: LIVE

As the colours of the wires in the mains lead of this apparatus may not correspond with the coloured markings identifying the terminals in your plug, proceed as follows: The wire which is coloured BLUE must be connected to the terminal which is marked with the letter N or coloured BLACK. The wire which is coloured BROWN must be connected to the terminal which is marked with the letter L or coloured RED. Making sure that neither core is connected to the earth terminal of the three pin plug.

CONTENTS

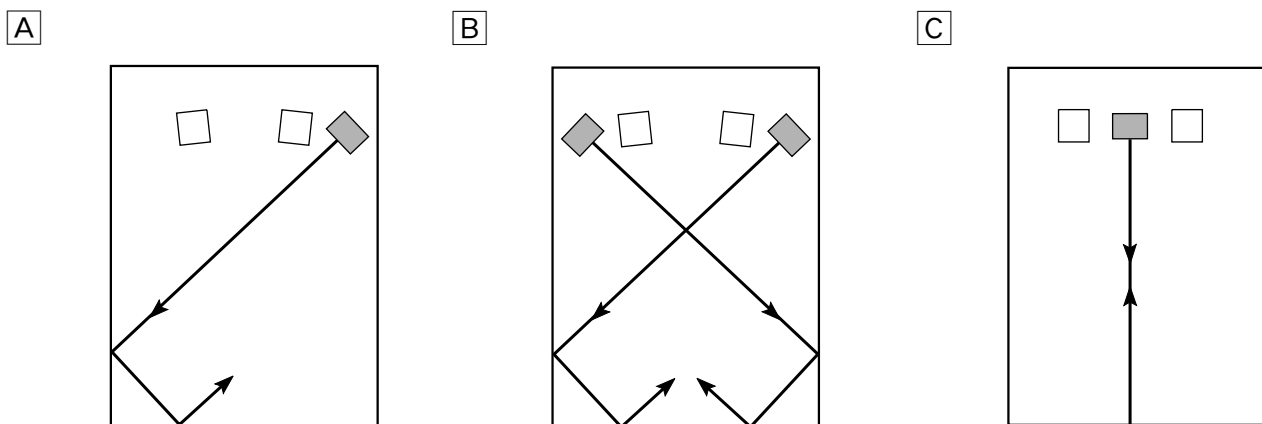
Caution 2
Features 3
Placement 3
Connections 4
Controls and their functions 7

Adjusting volume 8
Advanced YAMAHA Active Servo Technology 10
Troubleshooting 11
Specifications 11

FEATURES

- This subwoofer system employs Advanced YAMAHA Active Servo Technology which YAMAHA has developed for reproducing higher quality super-bass sound. (Refer to page 10 for details on Advanced YAMAHA Active Servo Technology.) This super-bass sound adds a more realistic, theater-in-the-home effect to your stereo system.
- This unit can be added easily to your existing audio system by connecting to either the speaker terminals or the line output (pin jack) terminals of the amplifier.
- For the effective use of this unit, this unit's super-bass sound must be matched to the sounds of your main speakers. You can create the best sound quality for various listening conditions by using the **HIGH CUT** control.
- The Automatic Standby function saves you the trouble of pressing the **STANDBY/ON** button to turn the power on and off.

PLACEMENT



(■ : subwoofer, □ : main speaker)

One subwoofer will have a good effect on your audio system, however, the use of two subwoofers is recommended to obtain more presence.

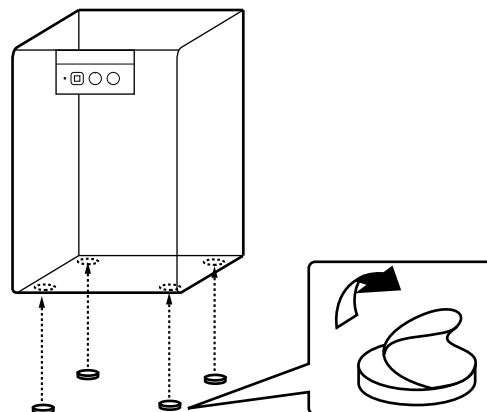
If using one subwoofer, it is recommended to place it on the outside of either the right or the left main speaker. (See fig. [A].) If using two subwoofers, it is recommended to place them on the outside of each main speaker. (See fig. [B].) The placement shown in fig. [C] is also possible, however, if the subwoofer system is placed directly facing the wall, the bass effect may die because the sound from it and the sound reflected by the wall may cancel. To prevent this, face the subwoofer system obliquely to the wall as in fig. [A] or [B].

Note

There may be a case that you cannot obtain enough super-bass sounds from this unit when listening at the middle of the room. This is because "standing waves" have developed between two parallel walls and the bass sounds are canceled. In such a case, face the unit obliquely to the wall. It also may be necessary to break up the parallel surfaces by placing bookshelves etc. along the walls.

Use the rubber pads

Put the provided rubber pads at the four corners on the bottom of the subwoofer unit to prevent the subwoofer unit moving due to vibrations etc.



CONNECTIONS

Never plug in the subwoofer and other audio/video components until all connections are completed.

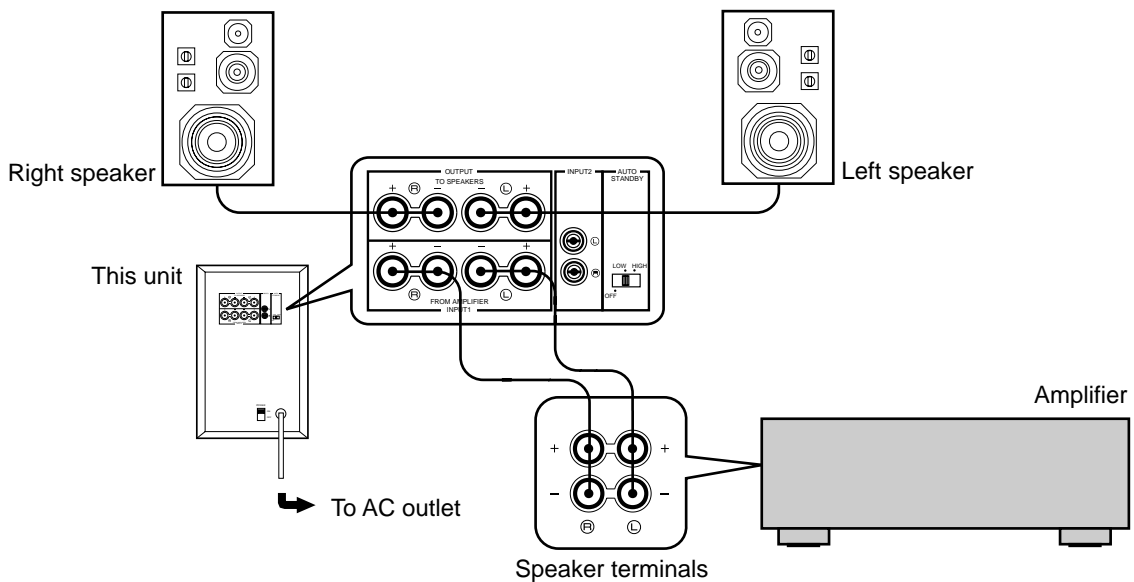
- When making connections between this unit and other components, be sure all connections are made firmly and correctly; L (left) to L, R (right) to R, + to + and – to –.
- This unit can be connected to either the speaker terminals or the line output (pin jack) terminals of the amplifier. Choose one of the connections shown below according to your audio system. Refer also to the owner's manuals supplied for your audio system.

CONNECTING TO SPEAKER TERMINALS OF THE AMPLIFIER

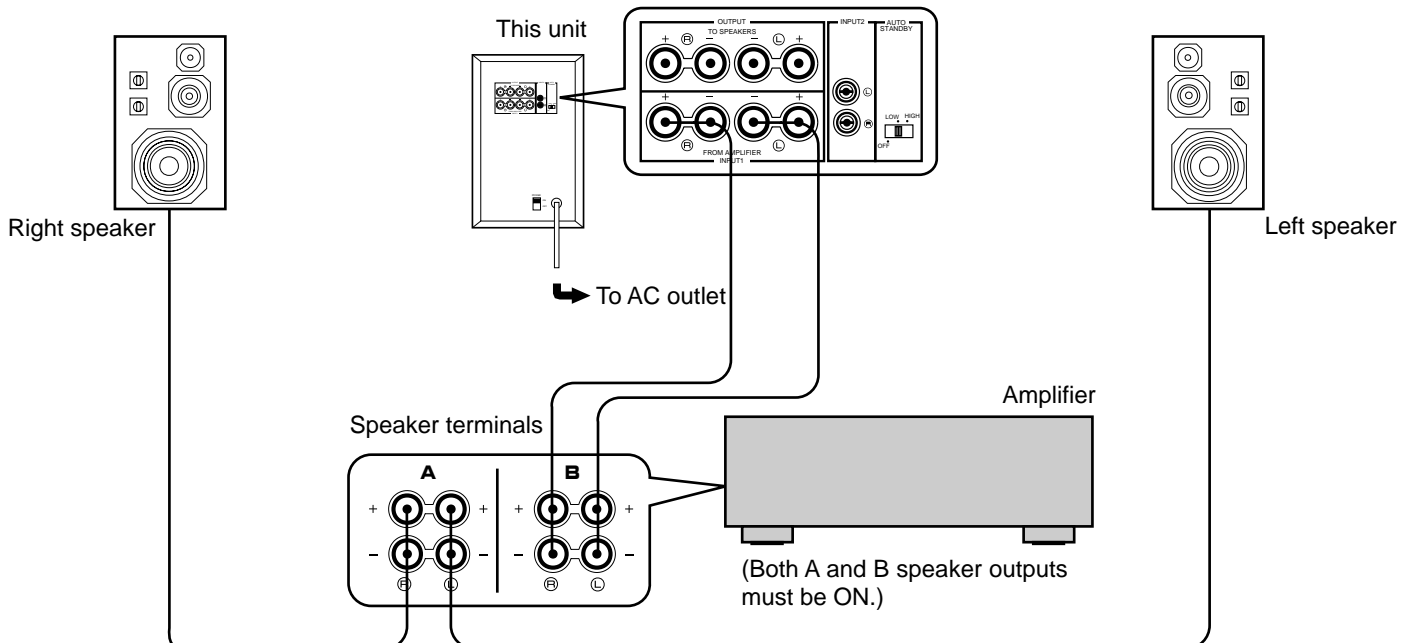
Using one unit

When your amplifier has one set of speaker terminals

- Disconnect your main speakers from the amplifier if connected, and connect them to the speaker terminals of this unit.

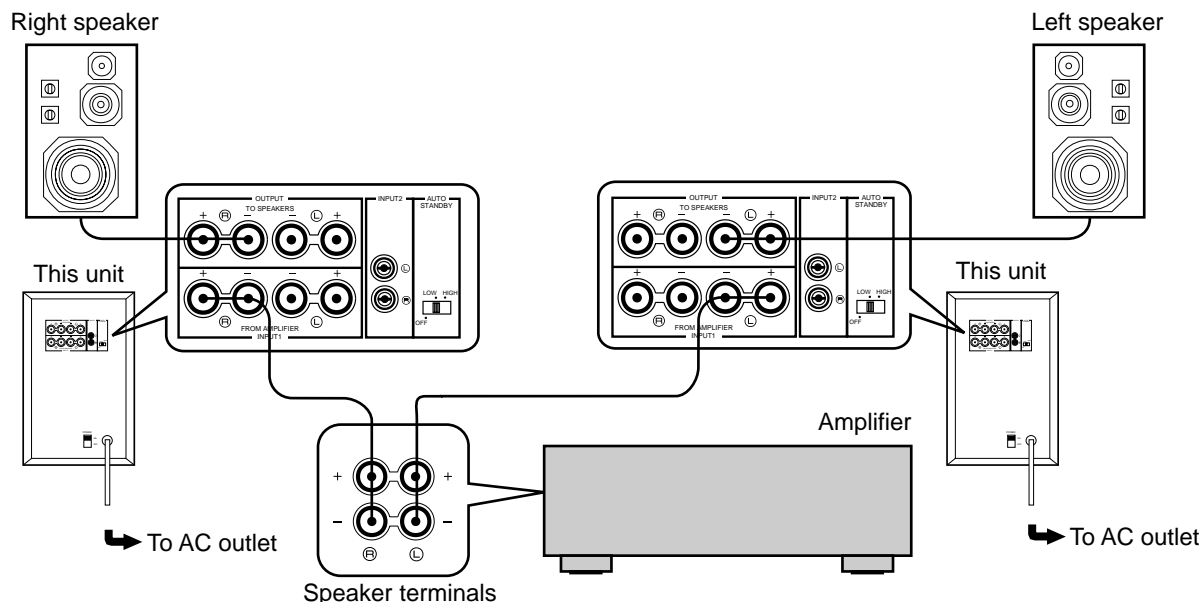


When your amplifier has two sets of speaker terminals



Using two units

Disconnect your main speakers from the amplifier if connected, and connect them to the speaker terminals of this unit.



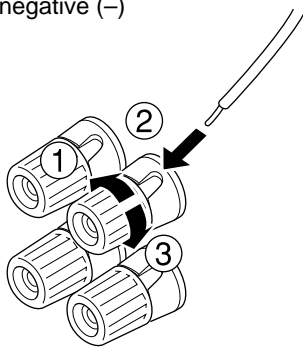
Connecting to this unit's OUTPUT/INPUT terminals

For connections, keep the speaker wires as short as possible. (Cut the excessive wire, if necessary.) If the connections are faulty, no sound will be heard from the speakers. Make sure that the polarity of the speaker wires is correct, by observing + and – markings. If these wires are reversed, the sound will be unnatural and will lack bass.

Do not let the core of the speaker wires touch each other and do not let them touch the metal parts of this unit as this could damage this unit, your amplifier and/or speakers.

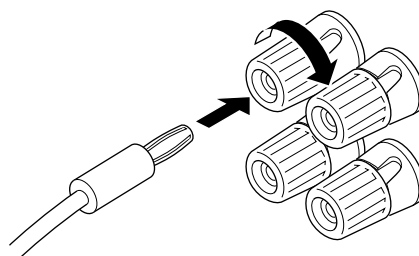
How to Connect:

Red: positive (+)
Black: negative (–)



- ① Unscrew the knob.
- ② Insert the core of the wire. [Remove approx. 5 mm (1/4") insulation from the speaker wires.]
- ③ Tighten the knob to secure the wire firmly.

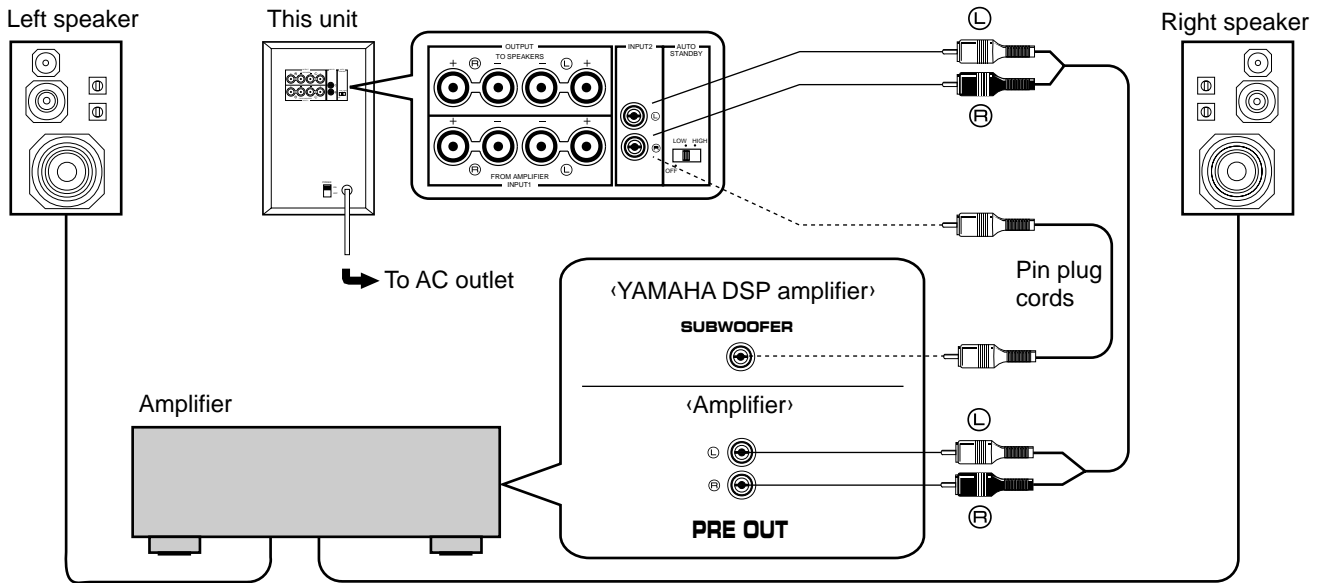
* Banana Plug connections are also possible (except for U.K. and Europe models). Simply insert the Banana Plug connector into the corresponding terminal.



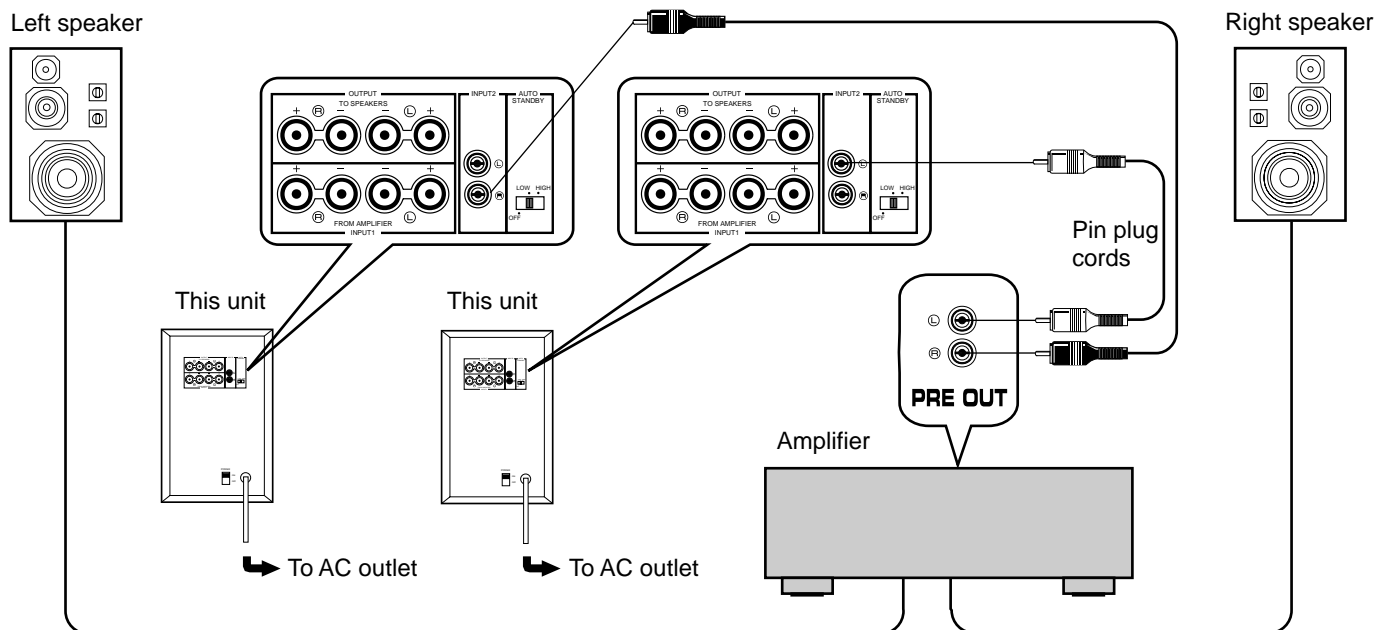
CONNECTING TO LINE OUTPUT (PIN JACK) TERMINALS OF THE AMPLIFIER

- Connect the main speakers to the speaker output terminals of the amplifier.
- Amplifier line output terminals are generally labeled PRE OUT or SUBWOOFER OUT.
- To connect with a YAMAHA DSP amplifier, connect the SUBWOOFER (or LOW PASS etc.) terminal on the rear of the DSP amplifier to either the left (L) or right (R) INPUT 2 terminal.

Using one unit



Using two units

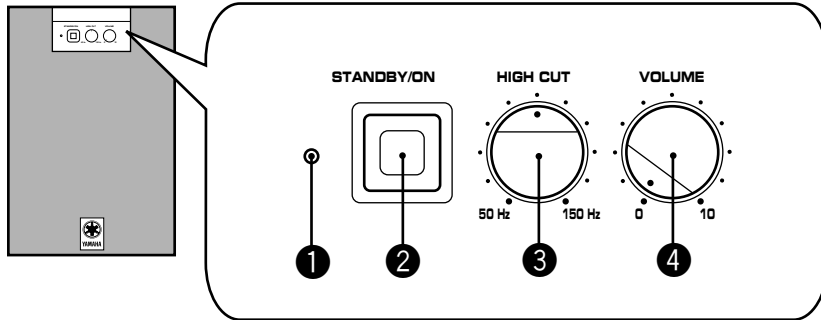


Notes on the above connections

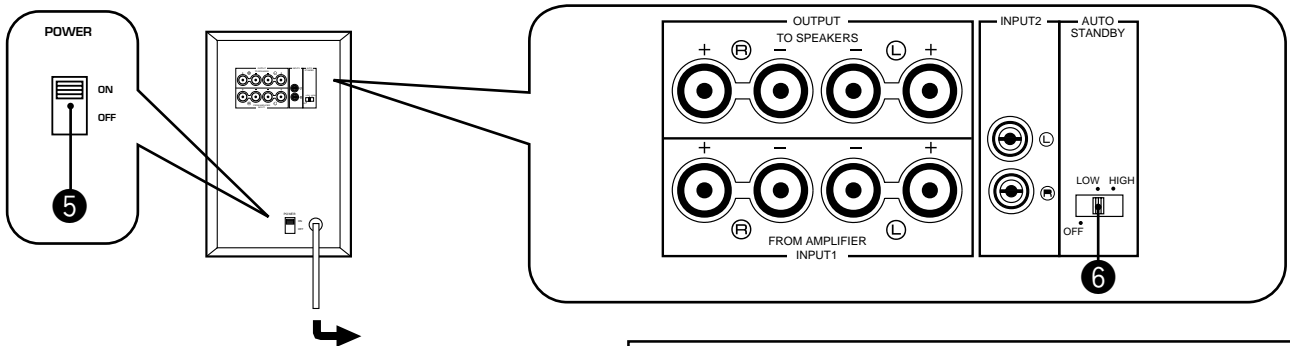
- When connected to line output terminals of the amplifier, other speakers should not be connected to the OUTPUT terminals on the rear panel of the subwoofer. If connected, they will not produce sound.
- When connecting this unit to a monaural line output terminal of the amplifier, connect to either the left or right INPUT 2 terminal.
- For using a power amplifier and a preamplifier, the preamplifier must have two sets of PRE OUT terminals. If your preamplifier has only one set of PRE OUT, connect this unit to the speaker terminals. (See page 4.)

CONTROLS AND THEIR FUNCTIONS

Front panel



Rear panel



- 1 Power indicator**
Lights up while this unit is ON.
* If the **AUTO STANDBY** switch on the rear panel is set to the LOW or HIGH position, this indicator is illuminated dimly when no signal is input to this unit.
- 2 STANDBY/ON button**
Each press of this button turns the unit on and off (on standby). A small amount of power is always consumed even while this unit is on standby.
- 3 HIGH CUT control**
Adjusts the high frequency cut off point. Frequencies higher than the frequency selected with this control are all cut off (and not output).
- 4 VOLUME control**
Adjusts the volume level.
- 5 Main POWER switch**
Normally, leave this switch to the ON position. When you will not use this unit for a long period, set this switch to the OFF position.
- 6 AUTO STANDBY switch**
With this switch, you can activate the Automatic Standby function. Normally, set the switch to the LOW position. To cancel this function, set the switch to the OFF position.
* Change the setting of this switch only when the power of this unit is on standby (by setting the **STANDBY/ON** button to OFF).

Automatic Standby function

When you play a source, the power of this unit turns on automatically by sensing audio signals input to this unit. This unit turns into the standby mode automatically if the source being played is stopped or the low frequency input signal is cut off for several minutes.

This function will operate by sensing a certain level of low frequency input signal. Its sensitivity is high in the HIGH position and low in the LOW position of the **AUTO STANDBY** switch. In the HIGH position, the power will turn on even with a low level of input signal, but on the other hand this unit may not turn into the standby mode when there is an input signal even if its level is extremely low.

* There may be a case that the power turns on unexpectedly by sensing noise from other appliances. If it occurs, set the **AUTO STANDBY** switch to the OFF or LOW position.

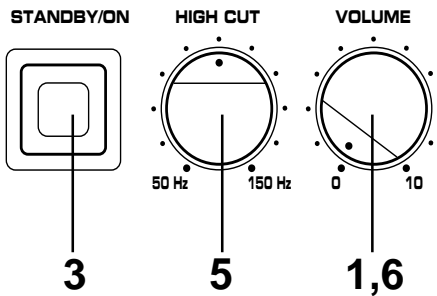
* The level of low frequency input signal differs with each source, and each different part on the same source. So, this function may not operate properly depending on some sources.

This function is available only when the power of this unit is on (by setting the STANDBY/ON button 2 to ON).

ADJUSTING VOLUME

Adjustment of the **HIGH CUT** control and the **VOLUME** control needs to be changed according to the main speakers, listening condition, source, etc.

Front panel

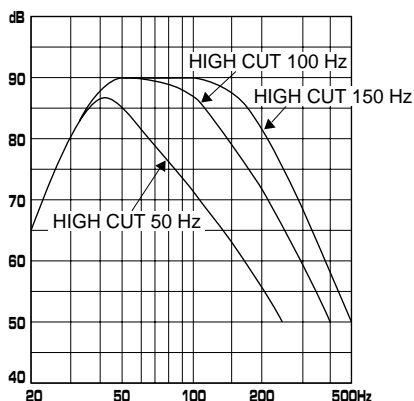


- 1 Set the **VOLUME** control to minimum (0).
- 2 Turn on the other components.
- 3 Press the **STANDBY/ON** button to turn on this unit.
- 4 Play any source and adjust the amplifier's volume control to the desired listening level.
- 5 Adjust the **HIGH CUT** control according to the main speakers connected.
Normally, set the control to the main speaker's rated minimum reproducible frequency*. If the desired response cannot be obtained, adjust the control again to your preference.
* The main speaker's rated minimum reproducible frequency can be looked up in the speakers' catalog or owner's manual.
- 6 Turn up the **VOLUME** control gradually to adjust the volume balance between this unit and the main speakers.
Normally, set the control to the level where you can obtain a little more bass effect than when this unit is not used. If the desired response cannot be obtained, adjust the control again to your preference.

Once the volume balance between this unit and the main speakers is adjusted, you can adjust the volume of your whole sound system by using only the amplifier's volume control.

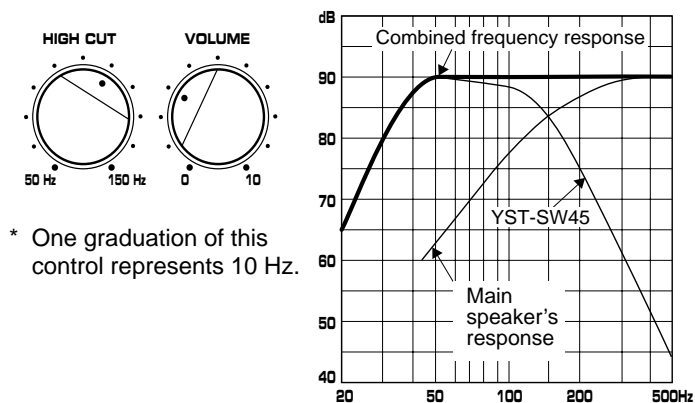
FREQUENCY RESPONSE

This unit's frequency response

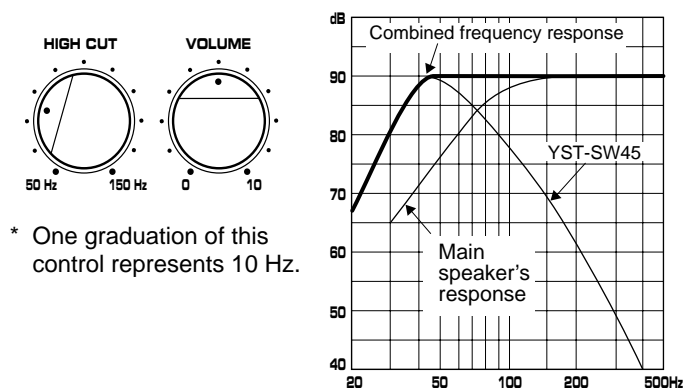


The figures below show the optimum adjustment of each control and the frequency characteristics when this unit is combined with a typical main speaker system.

EX.1 When combined with a 3" or 4" (8cm or 10cm) acoustic suspension, 2 way system main speakers



EX.2 When combined with a 5" (13 cm) acoustic suspension, 2 way system main speakers



ADVANCED YAMAHA ACTIVE SERVO TECHNOLOGY

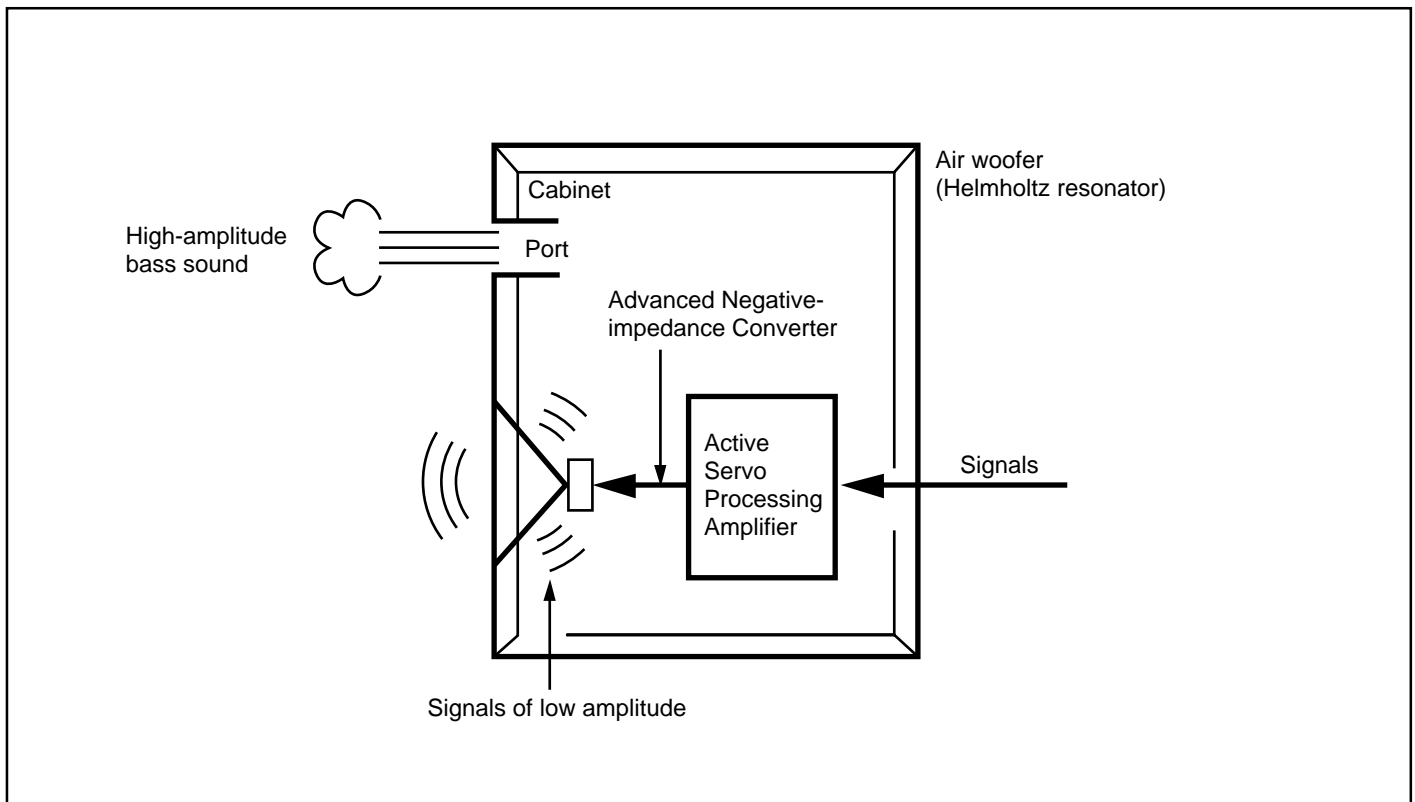
The theory of Yamaha Active Servo Technology has been based upon two major factors, the Helmholtz resonator and negative-impedance drive. Active Servo Processing speakers reproduce the bass frequencies through an “air woofer”, which is a port or opening in the speaker’s cabinet. This opening is used instead of, and performs the functions of, a woofer in a conventionally designed speaker system. Thus, signals of low amplitude within the cabinet can, according to the Helmholtz resonance theory, be output from this opening as waves of great amplitude if the design is such that the size of the opening and the volume of the cabinet are in the correct proportion to satisfy a certain ratio. In order to accomplish this, moreover, the amplitudes within the cabinet must be both precise and of sufficient power because these amplitudes must overcome the “load” presented by the air that exists within the cabinet.

Thus it is this problem that is resolved through the employment of a design in which the amplifier functions to supply special signals. If the electrical resistance of the voice coil could be reduced to zero, the movement of the speaker unit would become linear with respect to signal voltage, and, to accomplish this, a special negative-impedance output-drive amplifier for subtracting output impedance of the amplifier is used.

By employing negative-impedance drive circuits, the amplifier is able to generate precise, low-amplitude low-frequency waves with superior damping characteristics, and these waves are then radiated from the cabinet opening as high-amplitude signals. The system can, therefore, by employing the negative-impedance output drive amplifier and a speaker cabinet with the Helmholtz resonator, reproduce an extremely wide range of frequencies with amazing sound quality and less distortion.

The features described above, then, are combined to be the fundamental structure of the conventional Yamaha Active Servo Technology.

Our new Active Servo Technology — Advanced Yamaha Active Servo Technology — adopted Advanced Negative Impedance Converter (ANIC) circuits, which allows the conventional negative impedance converter to dynamically vary in order to select an optimum value for speaker impedance variation. With this new ANIC circuits, Advanced Yamaha Active Servo Technology can provide more stable performance and improved maximum sound pressure compared with the conventional Yamaha Active Servo Technology, resulting in more natural and energetic bass reproduction.



TROUBLESHOOTING

If the unit fails to operate normally, check the following points to determine whether the fault can be corrected by the simple measures suggested. If it cannot be corrected, or if the fault is not listed in the SYMPTOM column, disconnect the power cord and contact your authorized YAMAHA dealer or service center for help.

SYMPTOM	CAUSE	REMEDY
The power cannot be turned on.	The power cord is not plugged in, or the Main POWER switch is set to the OFF position.	Plug the power cord into an AC outlet and/or set the Main POWER switch to the ON position.
No sound.	The VOLUME control is set to 0.	Turn the VOLUME control to right.
	Speaker wires are not connected securely.	Connect them securely.
Sound level is too low.	Speaker wires are connected incorrectly.	Connect them correctly; L (left) to L, R (right) to R, + to + and - to -.
	A source sound with few bass frequencies is played.	Play a source sound with bass frequencies. Set the HIGH CUT control to a higher position.
	It is influenced by standing waves.	Reposition the subwoofer or break up the parallel surface by placing bookshelves etc. along the walls.
The unit does not turn on automatically.	The Main POWER switch is set to the OFF position.	Set the Main POWER switch to the ON position.
	The STANDBY/ON button is set to OFF.	Set the STANDBY/ON button to ON.
	The AUTO STANDBY switch is set to the OFF position.	Set the AUTO STANDBY switch to the HIGH or LOW position.
	The level of input signal is too low.	Set the AUTO STANDBY switch to the HIGH position.
The unit turns off (on standby) unexpectedly.	The level of input signal is too low.	Set the AUTO STANDBY switch to the HIGH position.
The unit turns on unexpectedly.	An influence of noise generated from external equipment etc.	Move the unit farther away from such equipment and/or change the position of connected speaker wires. Otherwise, set the AUTO STANDBY switch to the OFF position.

SPECIFICATIONS

Type Active Servo Processing Subwoofer System

Speaker Unit 20 cm (8") cone woofer (JA2162)
magnetic shielding type x 1

Amplifier Output 70 W/5 ohms

High-Cut Filter 50 Hz–150 Hz (–24 dB/oct.)

Frequency Response 30 Hz–200 Hz (–10 dB)

Power Supply

U.S.A. and Canada models AC 120 V, 60 Hz

Australia model AC 240 V, 50 Hz

U.K. and Europe models AC 230 V, 50 Hz

General and China models

..... AC 110/120/220/240 V, 50/60 Hz
(Adjustable with Voltage Selector)

Power Consumption 55 W

Dimensions (W × H × D) 235 mm × 365 mm × 318 mm
(9-5/16" × 14-7/20" × 12-1/2")

Weight 9 kg (19 lbs. 13 oz.)

Supplied Accessory Rubber Pads

* Design and specifications are subject to change without notice.

PRECAUTIONS D'USAGE: TENIR COMPTE DES PRECAUTIONS CI-DESSOUS AVANT DE FAIRE FONCTIONNER L'APPAREIL.

1. Pour garantir les meilleures performances possible, lire ce manuel avec attention. Le garder dans un endroit sûr pour une utilisation ultérieure.
2. Installer l'appareil dans un endroit frais, sec et propre, loin de fenêtres, sources de chaleur et d'endroits où les vibrations, la poussière, l'humidité ou le froid sont importants. Éviter les sources de bourdonnement (transformateurs, moteurs). Pour éviter les incendies ou chocs électriques, ne pas exposer l'appareil à la pluie ni à l'humidité.
3. Ne jamais ouvrir le coffret. Si un objet pénètre dans l'appareil, contacter le revendeur.
4. Ne pas forcer les commutateurs, boutons ou cordons. Lors du déplacement de l'appareil, débrancher d'abord la prise d'alimentation et les cordons le raccordant à d'autres appareils. Ne jamais tirer sur le cordon.
5. Ne pas essayer de nettoyer l'appareil avec des diluants chimiques. Ceux-ci risquent d'endommager la finition. Utiliser un chiffon propre et sec.
6. Bien lire la section "EN CAS DE DIFFICULTE" concernant les erreurs de fonctionnement communes avant de conclure que l'appareil est en panne.
7. Si cet appareil ne doit pas être utilisé pendant longtemps (pendant les vacances, par exemple), débrancher le cordon d'alimentation CA de la prise de courant secteur.
8. Pour éviter les dommages dus à la foudre, débrancher la prise d'alimentation CA en cas d'orage.
9. Cet appareil contient un amplificateur et de la chaleur se dégagera par le panneau arrière. Par conséquent, placer l'appareil à une certaine distance des murs, en laissant un espace suffisant au-dessus, derrière et des deux côtés de l'appareil. Ne pas poser non plus cet appareil dos au plancher ou sur une autre surface.
<Modèles pour le Royaume-Uni et l'Europe>
Laisser un espace de 20 cm au moins dessus, derrière et sur les deux côtés de l'appareil.
10. Les très basses fréquences produits par cet appareil peuvent provoquer un sifflement sur le tourne-disque. Dans ce cas, éloigner cet appareil du tourne-disque.
11. Les vibrations provenant des fréquences très basses peuvent causer de la distorsion sur l'image d'un téléviseur placé à proximité. Si c'est la cas, éloigner l'appareil du téléviseur.
12. Bien que cet appareil soit doté d'un blindage magnétique, il est possible que la couleur des images d'un téléviseur placé à proximité en soit affectée. Dans ce cas, éloigner cet appareil du téléviseur.
13. Si une distorsion peut être perçue (par exemple des petits coups secs intermittents ou un "martèlement") sur cet appareil, diminuer le niveau sonore. La lecture à très haut volume des basses fréquences de la bande sonore d'un film ou de passages de musique populaire de forte intensité sont susceptibles d'endommager le caisson de graves.
14. **Sélecteur de tension (modèle Général seulement et modèle pour la Chine)**
Le sélecteur de tension sur le panneau arrière de cet appareil doit être réglé sur la tension locale AVANT le raccordement du caisson de graves à une prise de courant CA.
Les tensions du courant secteur sont de 110/120/220/240V, 50/60 Hz.
15. **Le propriétaire est entièrement responsable du positionnement et de l'installation correcte du caisson de graves.**
YAMAHA décline toute responsabilité en cas d'accident résultant d'un mauvais positionnement ou d'une mauvaise installation des enceintes.

IMPORTANT

Noter le numéro de série de l'appareil dans l'espace ci-dessous.

No de série :

Le numéro de série se trouve à l'arrière de l'appareil. Garder le mode d'emploi dans un endroit sûr pour toute référence future.

AVERTISSEMENT

AFIN D'ÉVITER TOUT RISQUE D'INCENDIE OU D'ÉLECTROCUTION, NE PAS EXPOSER L'APPAREIL À LA PLUIE NI À L'HUMIDITÉ.

POUR LES CONSOMMATEURS CANADIENS

POUR ÉVITER LES CHOCS ÉLECTRIQUES, INTRODUIRE LA LAME LA PLUS LARGE DE LA FICHE DANS LA BORNE CORRESPONDANTE DE LA PRISE ET POUSSER JUSQU'AU FOND.

CET APPAREIL NUMÉRIQUE DE LA CLASSE B EST CONFORME À LA NORME NMB-003 DU CANADA.

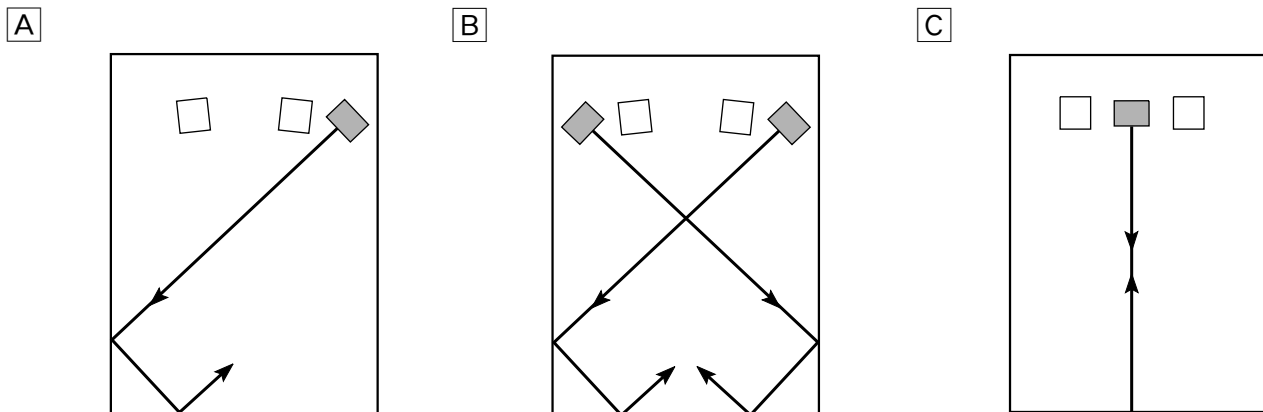
TABLE DES MATIÈRES

Précautions d'usage	12	Réglage du volume	18
Caractéristiques	13	Advanced YAMAHA Active Servo Technology	20
Positionnement	13	En cas de difficulté	21
Raccordements	14	Caractéristiques techniques	21
Les commandes et leurs fonctions	17		

CARACTERISTIQUES

- Ce caisson de graves utilise Advanced YAMAHA Active Servo Technology mise au point par YAMAHA pour la reproduction de basses fréquences de meilleure qualité. (Pour ce qui concerne Advanced YAMAHA Active Servo Technology, se reporter à la page 20.) Ces basses fréquences ajoutent un effet réaliste cinématographique aux sons fournis par une chaîne stéréo.
- Cet appareil peut être facilement ajouté à votre chaîne actuelle en la raccordant soit aux bornes d'enceintes soit aux bornes de sortie de ligne (fiche Cinch) de l'amplificateur.
- Pour utiliser au mieux les possibilités de cet appareil, les basses fréquences de ce caisson doivent être harmonisés avec les sons des enceintes principales. De plus, il est possible d'optimiser la qualité sonore suivant les conditions d'écoute au moyen de la commande **HIGH CUT**.
- La fonction de mise en veille automatique évite d'avoir à appuyer sur la touche **STANDBY/ON** pour mettre le caisson sous et hors tension.

POSITIONNEMENT



(■ : Caisson de graves, □ : Enceintes principales)

L'utilisation d'un seul caisson de graves dans une chaîne donne déjà de bons résultats, cependant l'utilisation de deux caissons de graves est recommandée pour accroître la présence du son.

Lorsqu'on utilise un seul caisson de graves, il est recommandé de le placer sur le côté extérieur de l'enceinte principale droite ou gauche. (Voir la fig. [A].) Lorsqu'on utilise deux caissons de graves, il est recommandé de les placer sur le côté extérieur de chacune des enceintes principales. (Voir la fig. [B].) Il est également possible de positionner les enceintes comme indiqué sur la fig. [C]; cependant, si le caisson de graves est placé directement contre le mur, l'effet de basse pourra se trouver supprimé car le son émis par l'enceinte et le son renvoyé par le mur s'annuleront. Pour éviter ce problème, placer le caisson de graves obliquement par rapport au mur, comme indiqué sur la fig. [A] ou [B].

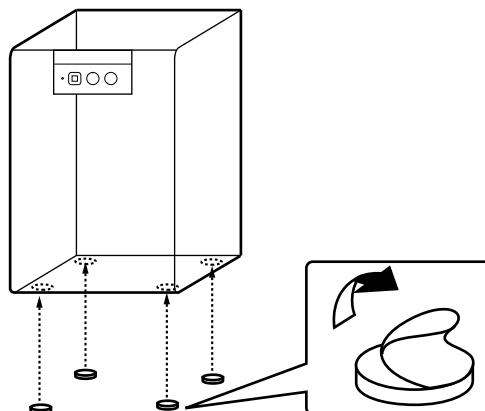
Remarque

Les basses fréquences peuvent quelquefois être trop faiblement perçus depuis une position d'écoute en milieu de pièce. Les ondes renvoyées par deux murs parallèles peuvent en effet s'annuler mutuellement en supprimant les basses fréquences réfléchies.

Dans un tel cas, diriger l'appareil obliquement par rapport au mur. Il peut être également nécessaire de modifier le parallélisme des surfaces murales en plaçant des étagères etc. le long des murs.

Utiliser les tampons en caoutchouc

Mettre les tampons en caoutchouc fournis aux quatre coins du bas du subwoofer afin d'empêcher le subwoofer de bouger sous l'effet des vibrations, etc.



RACCORDEMENTS

Avant de faire les liaisons, couper l'alimentation du caisson et de tout autre appareil audio/vidéo devant être relié.

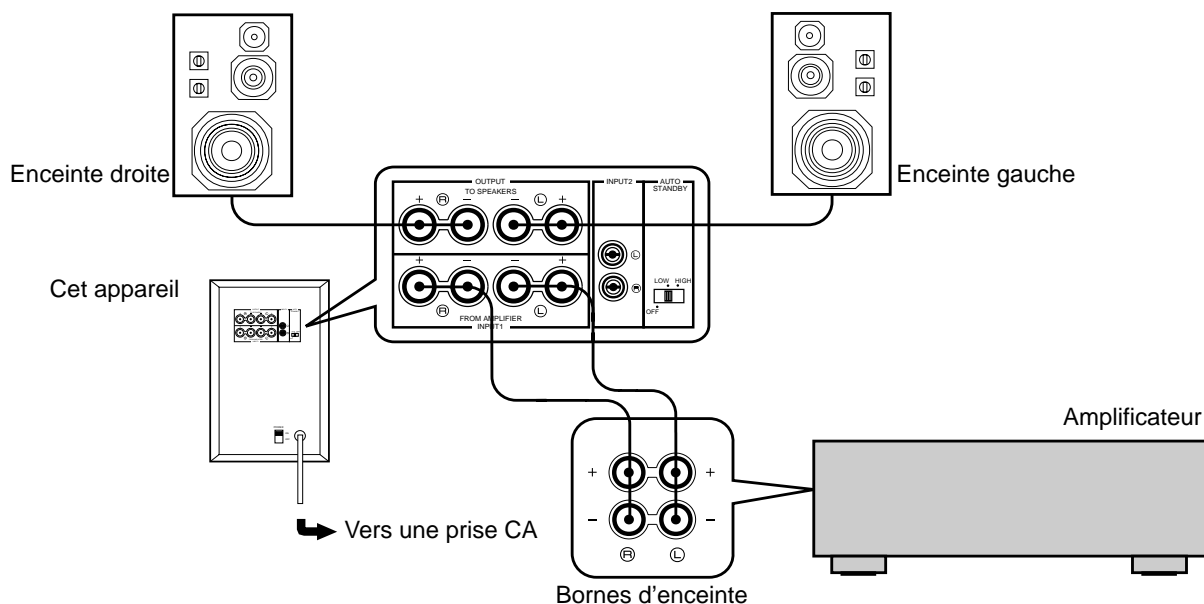
- Lors de la liaison de cet appareil aux autres composants, s'assurer que tous les branchements requis sont effectués correctement, c'est-à-dire entre L (gauche) et L, R (droite) et R, + et +, - et -.
- Cet appareil peut être raccordé soit aux bornes d'enceintes soit aux bornes de sortie de ligne (fiche Cinch) de l'amplificateur. Choisir parmi les possibilités illustrées ci-dessous celle qui convient le mieux à votre chaîne. Voir aussi le mode d'emploi de la chaîne stéréo.

RACCORDEMENT AUX BORNES D'ENCEINTES DE L'AMPLIFICATEUR

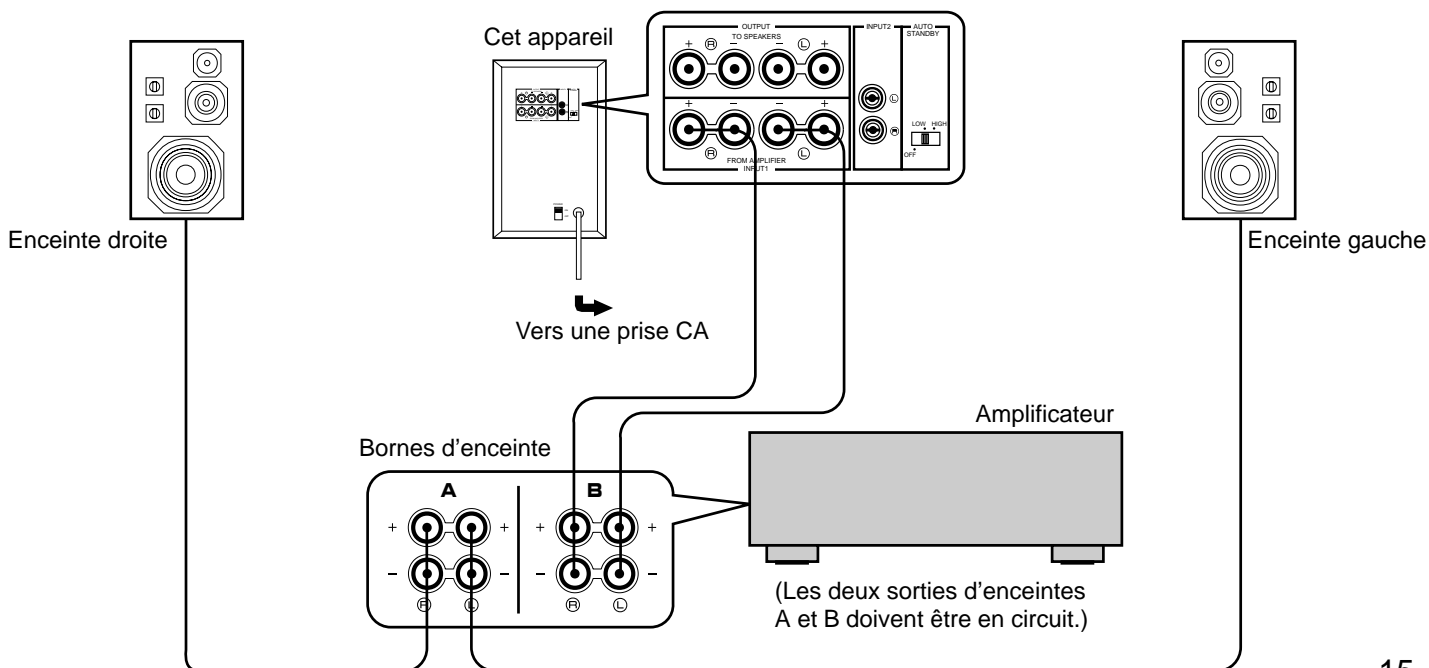
Raccordement d'un seul appareil

Si l'amplificateur est équipé d'une paire de bornes d'enceintes

- Débrancher les enceintes principales de l'amplificateur si elles sont branchées et les raccorder aux bornes d'enceintes de cet appareil.

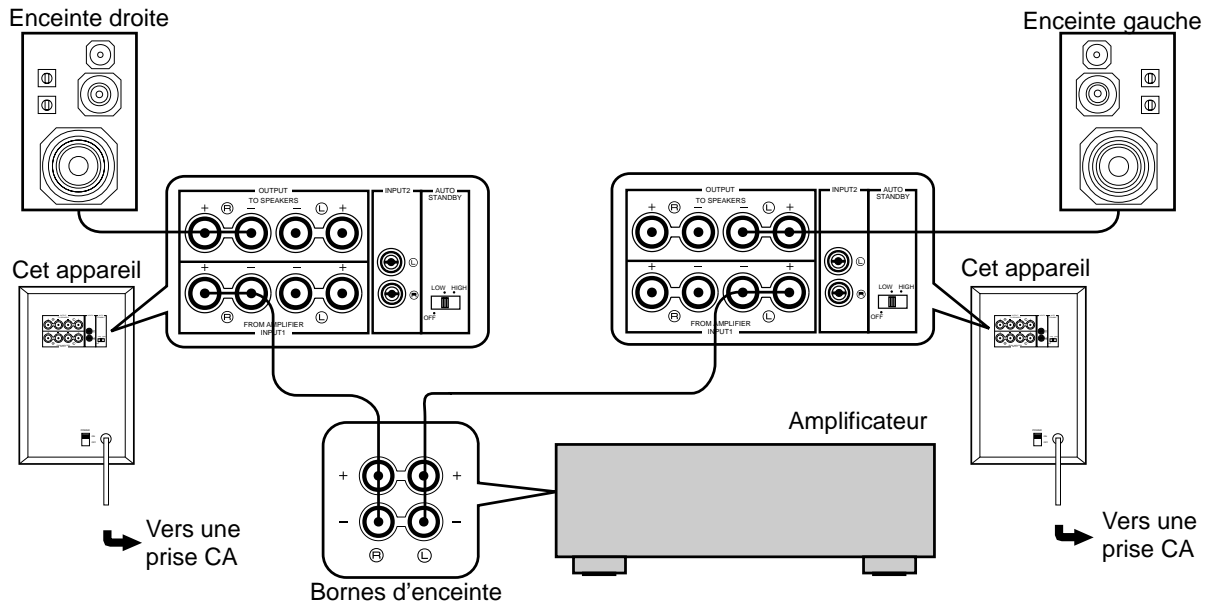


Si l'amplificateur est équipé de deux paires de bornes d'enceintes



Raccordement de deux appareils

Débrancher les enceintes principales de l'amplificateur si elles sont branchées et les raccorder aux bornes d'enceintes de cet appareil.



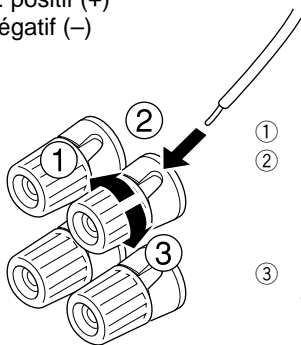
Raccordement aux bornes OUTPUT/INPUT de cet appareil

Pour les raccordements, couper les cordons d'enceintes aussi court que possible. Si les raccordements sont incorrects, aucun son ne sera fourni par les enceintes. S'assurer que la polarité des cordons d'enceintes est correcte, c'est-à-dire que les marques + et - sont respectées. Si ces cordons sont inversés, le son obtenu ne sera pas naturel et manquera de basses.

S'assurer aussi que les fils dénudés ne se touchent pas ou n'entrent pas en contact avec les parties métalliques de cet appareil. Le caisson de graves, l'amplificateur et/ou les enceintes pourraient être endommagés.

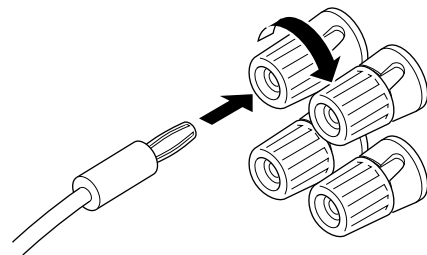
Branchement:

Rouge: positif (+)
Noir: négatif (-)



- ① Dévisser le bouton.
- ② Introduire le fil à nu.
(Enlever environ 5 mm (1/4") de gaine pour dénuder le cordon.)
- ③ Revisser le bouton et fixer le fil.

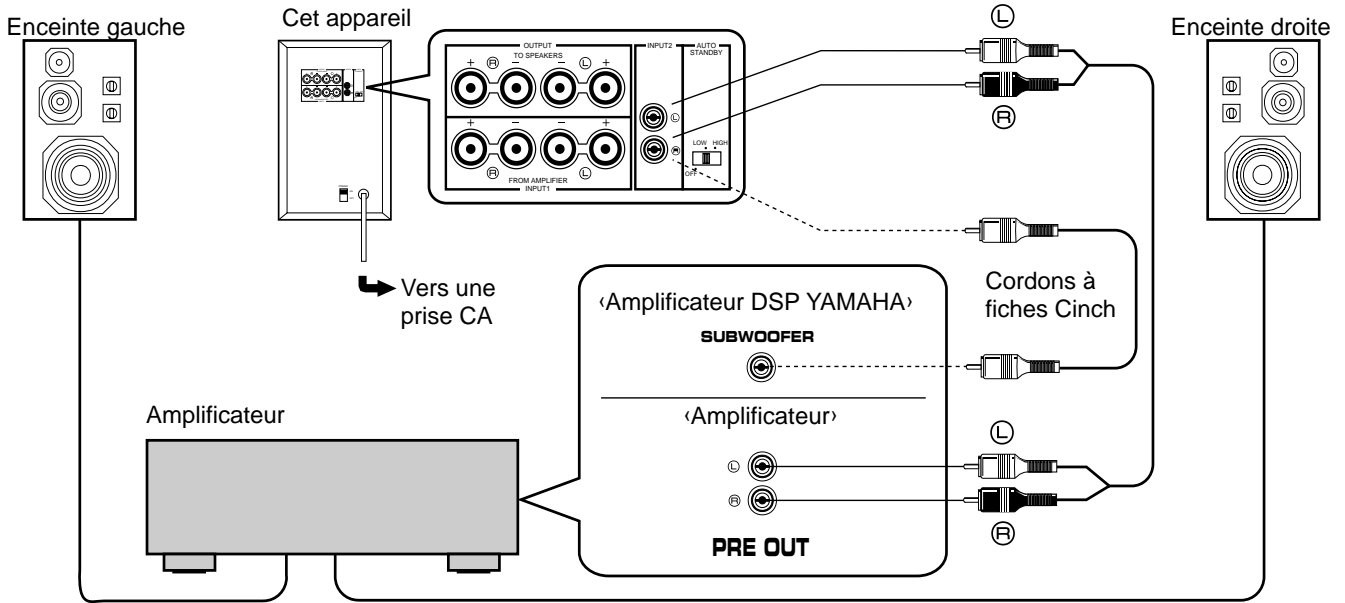
* Il est également possible d'utiliser des fiches banane (sauf sur les modèles pour le Royaume-Uni et l'Europe). Il suffit d'introduire la fiche banane dans la borne correspondante.



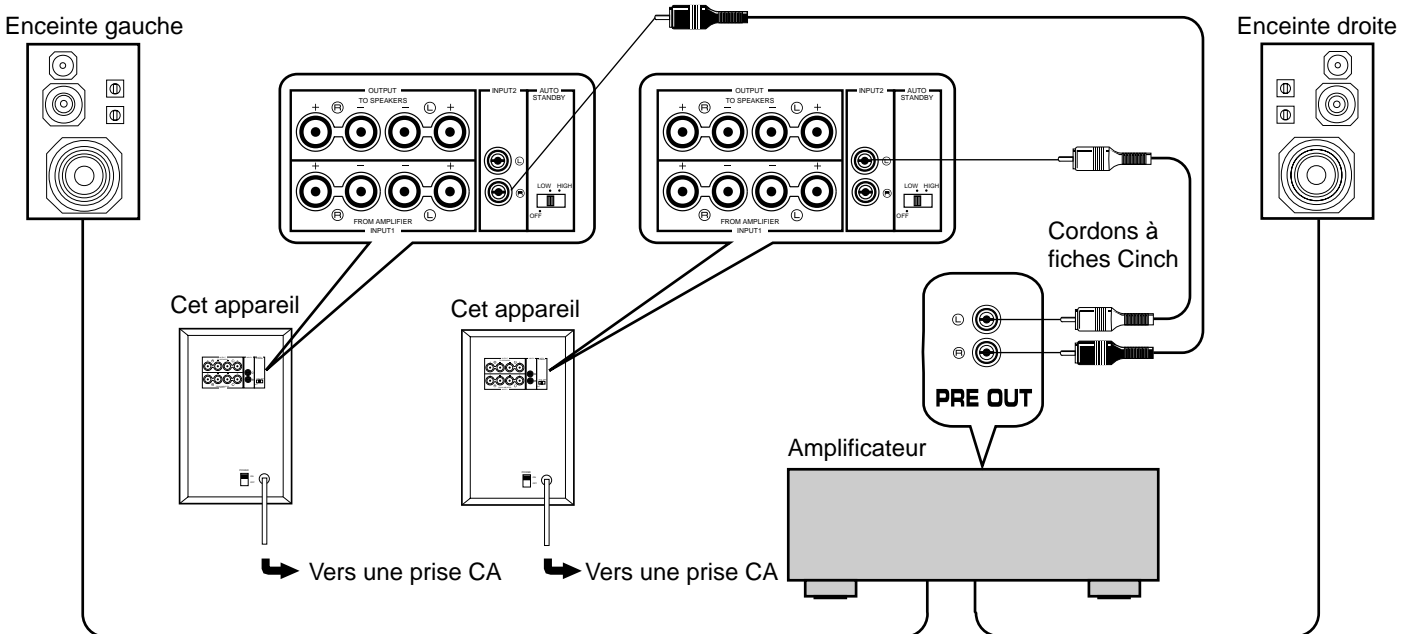
RACCORDEMENT AUX BORNES DE SORTIE DE LIGNE (FICHE CINCH) DE L'AMPLIFICATEUR

- Laisser les enceintes principales raccordées aux bornes de sortie de l'amplificateur.
- Les bornes de sortie de ligne de l'amplificateur s'appellent généralement PRE OUT ou SUBWOOFER OUT.
- Pour relier le caisson de graves à un amplificateur YAMAHA DSP, raccorder la borne SUBWOOFER (ou LOW PASS, etc.) située à l'arrière de l'amplificateur DSP à la borne INPUT 2 gauche (L) ou droite (R).

Raccordement d'un seul appareil



Raccordement de deux appareils

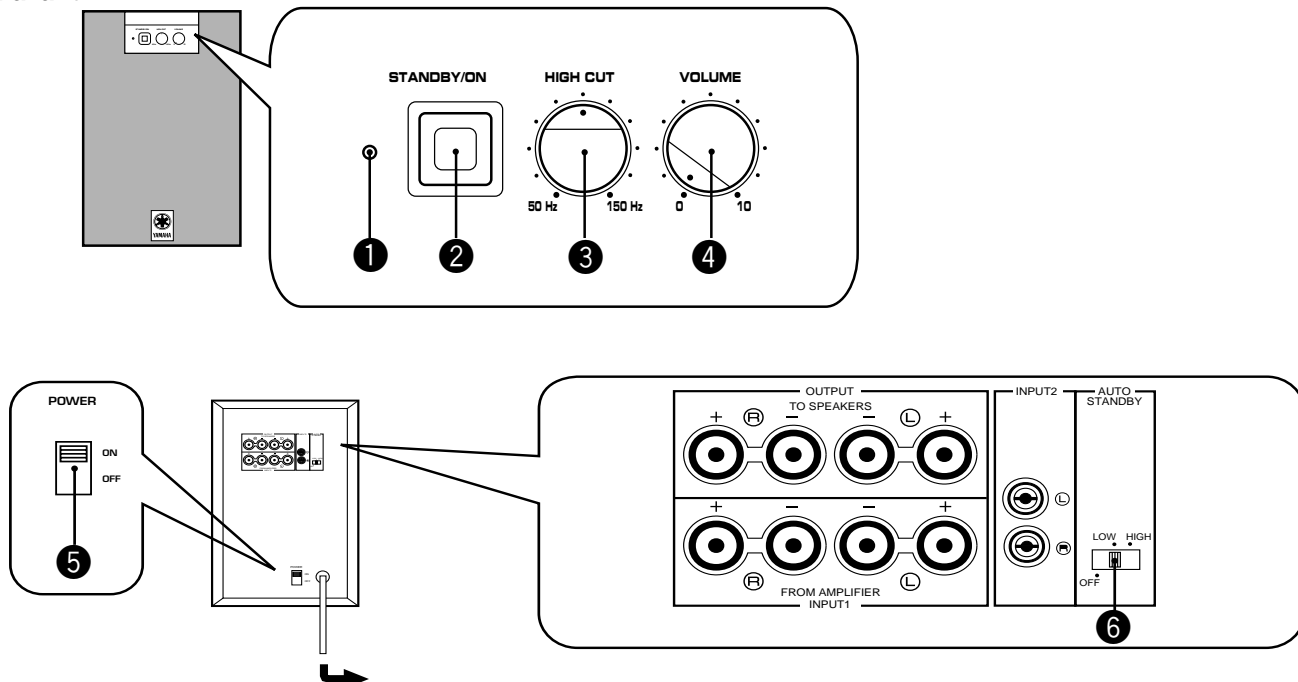


Remarques

- Lorsque le caisson de graves est raccordé aux bornes de sortie de ligne de l'amplificateur, aucune autre enceinte ne doit être raccordée aux bornes OUTPUT du panneau arrière du caisson, sinon elle ne produira aucun son.
- Pour relier le caisson de graves à une borne de sortie de ligne mono de l'amplificateur, raccorder la borne INPUT 2 gauche ou droite à cette borne.
- Pour pouvoir utiliser un amplificateur et un préamplificateur, le préamplificateur doit être équipé de deux paires de bornes PRE OUT. S'il n'a qu'une paire de bornes PRE OUT, relier le caisson de graves aux bornes d'enceintes. (Voir page 14.)

LES COMMANDES ET LEURS FONCTIONS

Panneau avant



- 1** Voyant d'alimentation
Il s'allume lorsque le caisson de graves est en marche.
* Si le commutateur **AUTO STANDBY** situé sur le panneau arrière se trouve sur la position LOW ou HIGH, ce voyant s'allumera faiblement si le caisson ne reçoit aucun signal.
- 2** Touche **STANDBY/ON**
Appuyer sur cette touche pour mettre le caisson de graves en marche ou en veille. Une petite quantité d'électricité est toujours consommée même lorsque l'appareil est en veille.
- 3** Commande **HIGH CUT**
Pour régler le point de coupure des fréquences. Les fréquences supérieures au niveau réglé par cette commande sont toutes coupées (et ne sont donc pas émises).
- 4** Commande **VOLUME**
Pour régler le niveau de volume.
- 5** Interrupteur principal **POWER**
Ordinairement, laisser cet interrupteur sur la position ON. Si l'appareil ne doit pas être utilisé pendant longtemps, le mettre sur OFF.
- 6** Commutateur **AUTO STANDBY**
Ce commutateur permet d'activer la fonction de mise en veille automatique. Ordinairement, laisser ce commutateur sur la position LOW. Pour annuler cette fonction, mettre le commutateur sur la position OFF.
* Changer le réglage du commutateur seulement lorsque le caisson est en veille (touche **STANDBY/ON** sur la position OFF).

Fonction de mise en veille automatique

Lors de la lecture d'une source, cet appareil se met automatiquement sous tension en détectant les signaux audio qui lui sont envoyés. Il se met automatiquement en mode veille si la source en cours de lecture est arrêtée ou si le signal d'entrée des basses fréquences est coupé pendant plusieurs minutes.

Cette fonction s'activera en détectant un certain niveau du signal d'entrée de basses fréquences. Sa sensibilité est élevée à la position HIGH et elle est basse à la position LOW du commutateur **AUTO STANDBY**. En position HIGH, l'alimentation électrique sera rétablie même avec un bas niveau de signal d'entrée; toutefois, il est possible que cet appareil ne passe pas au mode veille lorsqu'un signal d'entrée est reçu, même si son niveau est extrêmement bas.

* Il se peut que l'appareil se mette sous tension de manière inattendue s'il détecte du bruit provenant d'autres appareils. Si ceci se produit, mettre le commutateur **AUTO STANDBY** sur la position OFF ou LOW.

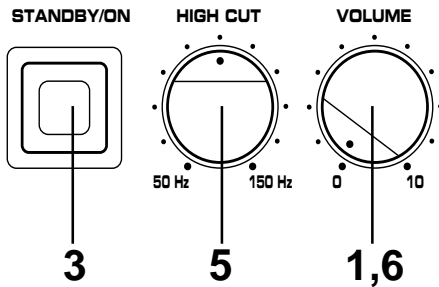
* Le niveau du signal d'entrée de basse fréquence diffère selon chaque source, et chaque partie de la même source. Par conséquent, il se peut que cette fonction ne fonctionne pas correctement avec certaines sources.

Cette fonction est utilisable seulement lorsque cet appareil est en marche (touche **STANDBY/ON ② sur ON).**

REGLAGE DU VOLUME

Le réglage de la commande **HIGH CUT** et de la commande **VOLUME** devra éventuellement être changé en fonction des enceintes principales, des conditions d'écoute, de la source, etc.

Panneau avant

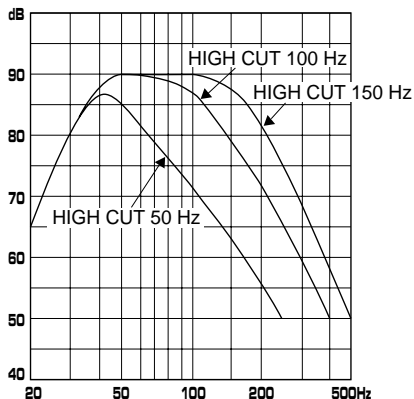


- 1 Mettre la commande **VOLUME** au minimum (0).
- 2 Mettre les autres appareils en marche.
- 3 Appuyer sur la touche **STANDBY/ON** pour mettre l'appareil en marche.
- 4 Enclencher la lecture d'une source sonore et mettre la commande de volume de l'amplificateur sur le niveau d'écoute souhaité.
- 5 Ajuster la commande **HIGH CUT** en fonction des enceintes principales raccordées.
Ordinairement, régler la commande sur la fréquence* nominale la plus petite qui peut être reproduite par les enceintes principales. Si la réponse souhaitée ne peut pas être obtenue, régler la commande au niveau préféré.
* La fréquence nominale la plus petite des enceintes principales est indiquée dans le catalogue ou le mode d'emploi des enceintes.
- 6 Augmenter doucement la commande **VOLUME** afin de régler l'équilibre de volume entre le caisson de graves et les enceintes principales.
Ordinairement, régler la commande au niveau où vous obtenez un peu plus d'effet de basse que lorsque cet appareil n'est pas utilisé.
Si la réponse souhaitée ne peut pas être obtenue, régler la commande au niveau préféré.

Lorsque le volume du caisson de graves et des enceintes principales est réglé de façon équilibré, le volume de tout le système acoustique peut être ajusté par la commande de réglage du volume de l'amplificateur.

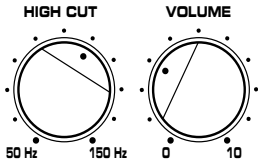
Réponse en fréquence

Caractéristiques des fréquences

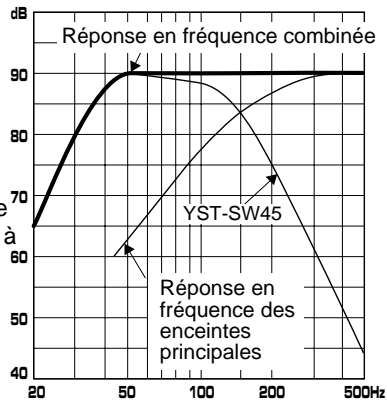


Les chiffres ci-dessous montrent le réglage optimal de chaque commande et les caractéristiques des fréquences lorsque l'appareil est associé à des enceintes principales classiques.

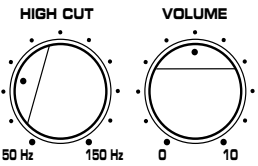
EX.1 En combinaison avec des enceintes principales à deux voies, à suspension acoustique de 3" ou 4" (8 cm ou 10 cm)



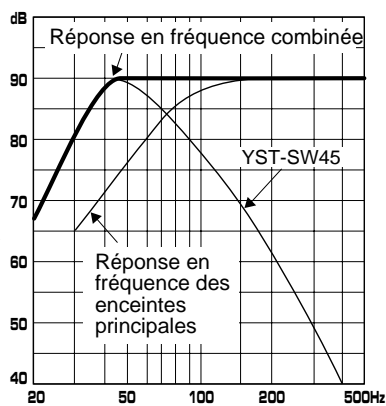
* Une graduation de cette commande correspond à 10 Hz.



EX.2 En combinaison avec des enceintes principales à deux voies, à suspension acoustique de 5" (13 cm)



* Une graduation de cette commande correspond à 10 Hz.



ADVANCEDCD YAMAHA ACTIVE SERVO TECHNOLOGY

La théorie de l'Active servo Technolgy Yamaha repose sur deux principes: cavité résonnante de Helmholtz et circuit d'attaque d'amplificateur à impédance négative. Des enceintes à Active Servo Processing actif reproduit les basses fréquences à travers un "woofer à air" qui est un événement pratiqué sur la face avant de l'enceinte. Cet événement simule le fonctionnement – et est utilisé à la place – du haut-parleur électrodynamique spécial pour basses que l'on trouve dans une enceinte conventionnelle. Suivant la théorie de la cavité résonnante de Helmotz, de petites oscillations à l'intérieur de la cavité donnent lieu à des oscillations de grandes amplitudes à la sortie de l'événement, si toutefois l'enceinte est conçue de telle manière que la taille de l'événement et le volume de la cavité sont correctement proportionnés selon un certain taux. Les oscillations de l'air contenu dans la cavité doivent de plus satisfaire à des conditions précises et être d'amplitude suffisante pour vaincre l'inertie de la masse d'air de l'enceinte.

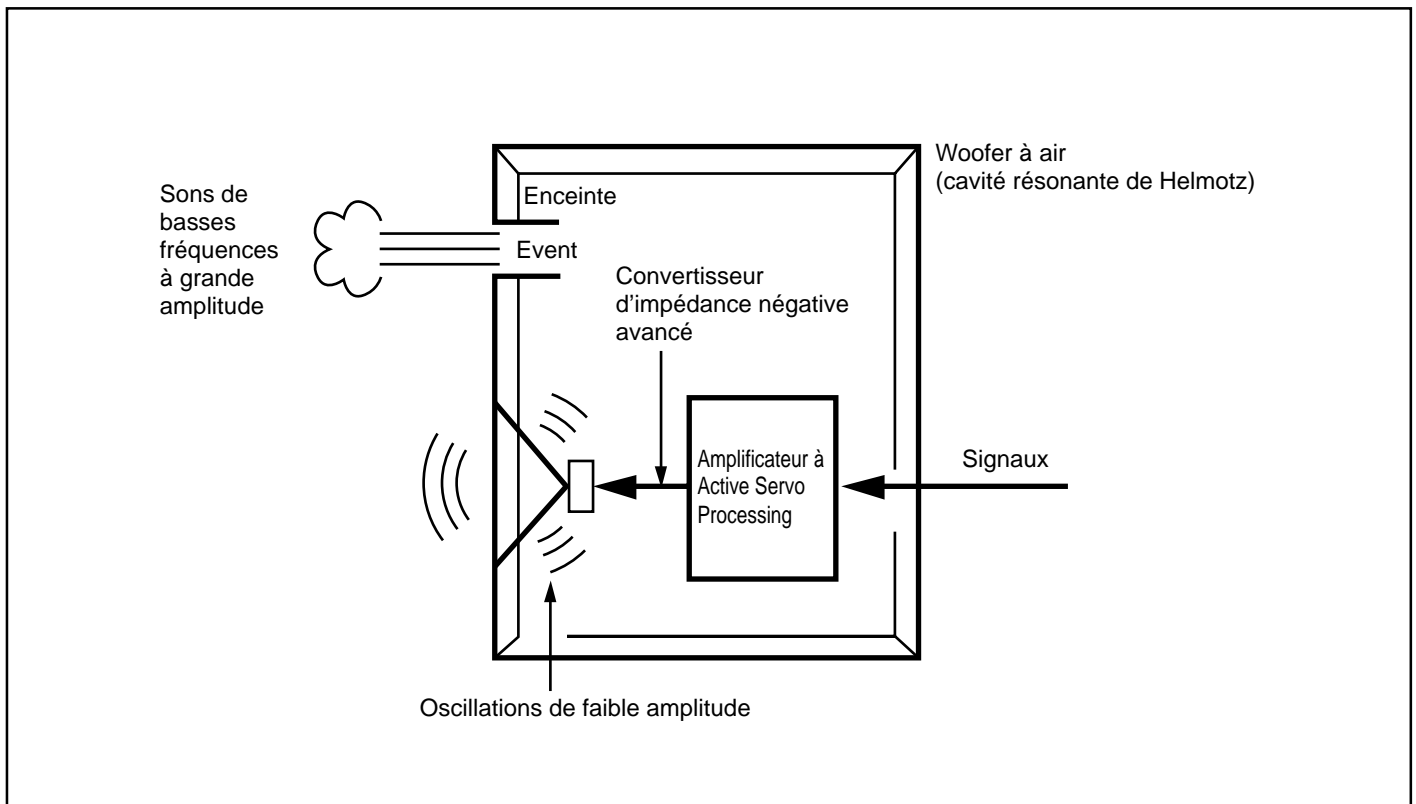
Ce problème est résolu électroniquement grâce à un amplificateur spécial qui fournit le signal satisfaisant à toutes les conditions. Si la résistance électrique de la bobine du haut-parleur pouvait être réduite à zéro, le cône du haut-parleur répondrait de façon linéaire aux variations de voltage du signal; ceci peut être simulé grâce à un circuit d'attaque à impédance

négative qui soustrait l'impédance du haut-parleur de l'impédance de sortie de l'amplificateur.

Le circuit d'attaque à impédance négative délivre de façon précise le signal basses fréquences à faible amplitude et à facteur d'amortissement supérieur qui donne lieu à des oscillations importantes à la sortie de l'événement. Ce système qui combine un circuit d'attaque à impédance négative et une cavité résonnante de Helholtz reproduit le son sur une plage de fréquences ultra-large avec une fidélité surprenante et moins de distorsion.

Les caractéristiques décrites ci-dessus constituent ce que nous appelons ici l'Active Servo Technology classique.

Notre nouvelle Active Servo Technology – Advanced Yamaha Active Servo Technology – a adopté les circuits ANIC (Advanced Negative Impedance Converter) qui permet au convertisseur d'impédance négative classique de s'adapter de manière dynamique à la valeur optimale de la variation d'impédance du caisson. Avec ces nouveaux circuits ANIC, la Servo Technology Yamaha avancé peut atteindre des performances plus stables et améliorer la pression sonore maximale par rapport à l'Active Servo Technology classique de Yamaha. Le résultat en est une restitution plus naturelle et énergique des basses fréquences.



EN CAS DE DIFFICULTE

Avant de conclure que l'appareil est en panne, s'il ne fonctionne pas, vérifier les points suivants pour voir où se situe le problème. S'il n'est pas possible de le corriger ou si la cause n'est pas indiquée dans la colonne SYMPTOME, débrancher le cordon d'alimentation secteur et contacter un revendeur YAMAHA ou un service après-vente.

SYMPTOME	CAUSE	SOLUTION
Le caisson ne se met pas en marche.	Le cordon d'alimentation secteur n'est pas branché ou l'interrupteur principal POWER est réglé sur la position OFF.	Brancher le cordon d'alimentation sur la prise secteur et/ou mettre l'interrupteur principal POWER sur la position ON.
Pas de son.	La commande VOLUME est sur 0.	Tourner la commande VOLUME vers la droite.
	Les cordons d'enceintes ne sont pas fermement raccordés.	Les raccorder fermement.
Le niveau sonore est trop bas.	Les cordons d'enceintes sont incorrectement raccordés.	Les raccorder correctement, c'est-à-dire L (gauche) à L, R (droite) à R, + à + et - à -.
	Le son de la source contient peu de basses fréquences.	Reproduire une source contenant des basses fréquences. Mettre la commande HIGH CUT sur une position plus haute.
	Le son est influencé par les ondes stationnaires.	Changer la position du caisson de graves ou modifier le parallélisme des surfaces murales en plaçant des étagères etc. le long des murs.
Le caisson ne s'active pas automatiquement.	L'interrupteur principal POWER est réglé sur la position OFF.	Mettre l'interrupteur principal POWER sur la position ON.
	La touche STANDBY/ON est sur OFF.	Régler la touche STANDBY/ON sur ON.
	Le commutateur AUTO STANDBY est réglé sur la position OFF.	Mettre le commutateur AUTO STANDBY sur la position HIGH ou LOW.
	Le niveau du signal d'entrée est trop bas.	Mettre le commutateur AUTO STANDBY sur la position HIGH.
Le caisson s'éteint (veille) de façon inattendue.	Le niveau du signal d'entrée est trop bas.	Mettre le commutateur AUTO STANDBY sur la position HIGH.
Le caisson s'active de façon inattendue.	Bruit généré par un autre appareil, etc.	Eloigner le caisson de l'autre appareil et/ou changer la position des cordons des enceintes raccordées. Sinon, mettre le commutateur AUTO STANDBY sur la position OFF.

CARACTERISTIQUES TECHNIQUES

Type Subwoofer à Active Servo Processing
Haut-parleur 1 haut-parleurs de grave de 20 cm (8")
à cône (JA2162), type à blindage magnétique
Puissance de l'amplificateur 70W/5 ohms
Filtre passe-bas 50Hz-150 Hz (-24 dB/oct.)
Réponse en fréquence 30 Hz-200 Hz (-10 dB)
Alimentation
Modèles pour les Etats-Unis et le Canada
..... CA 120V, 60 Hz
Modèle pour l'Australie CA 240V, 50 Hz

Modèles pour le Royaume-Uni et l'Europe

..... CA 230V, 50 Hz

Modèle général et modèle pour la Chine

..... CA 110/120/220/240V, 50/60 Hz
(avec sélecteur de tension)

Consommation 55 W

Dimensions (L x H x P) 235 mm x 365mm x 318 mm
(9-5/16" x 14-7/20" x 12-1/2")

Poids 9 kg (19 li. 13 on.)

Accessoire fourni Tampons en caoutchouc

* La conception et les caractéristiques techniques sont modifiables sans préavis.

ZUR BEACHTUNG: BITTE LESEN SIE DIESE BEDIENUNGSANLEITUNG VOR INBETRIEBNAHME DES GERÄTES.

1. Bitte lesen Sie diese Bedienungsanleitung sorgfältig durch, um sich gründlich mit dem Gerät vertraut zu machen. Heben Sie die Bedienungsanleitung auf, um auch später noch nachschlagen zu können.
2. Das Gerät an einem kühlen, trockenen und sauberen Platz aufstellen, entfernt von Fenstern, Wärmequellen, Erschütterungen, Staub, Feuchtigkeit und Kälte. Entfernt von elektrischen Störquellen (Transformatoren, Motoren) aufstellen. Nicht Regen oder Feuchtigkeit aussetzen, um elektrische Schläge und Feuer zu vermeiden.
3. Niemals das Gehäuse öffnen. Wenden Sie sich an Ihren Fachhändler, wenn Gegenstände in das Gerät eindringen.
4. Keine Gewalt auf die Bedienungselemente und Kabel ausüben. Zum Umstellen des Gerätes zuerst das Netzkabel und die Verbindungskabel zu anderen Geräten lösen. Immer am Stecker, niemals am Kabel selbst ziehen.
5. Zur Reinigung keine chemischen Lösungsmittel verwenden, weil dadurch die Gehäuseoberfläche beschädigt werden kann. Mit einem sauberen, trockenen Tuch reinigen.
6. Der Abschnitt "STÖRUNGSSUCHE" beschreibt häufige Bedienungsfehler. Lesen Sie diesen Abschnitt, bevor Sie auf einen Defekt des Gerätes schließen.
7. Falls Sie das Gerät für längere Zeit nicht benutzen (z.B. während den Ferien), sollten Sie den Netzstecker aus der Steckdose ziehen.
8. Bei Blitzschlaggefahr das Netzkabel aus der Steckdose ziehen.
9. Weil in diesem Gerät ein Verstärker eingebaut ist, wird die entstehende Wärme an der Rückseite abgeführt. Aus diesem Grund muß das Gerät von Wänden entfernt aufgestellt werden und auf beiden Seiten und auf der Ober- und Rückseite des Gerätes muß ausreichend freier Raum vorhanden sein. Das Gerät darf auch nicht mit nach unten oder gegen eine andere Oberfläche gerichteter Rückseite aufgestellt werden.
<Für Großbritannien und Europa-Modelle>
Immer einen Abstand von mindestens 20 cm über, hinter und an beiden Seiten des Geräts lassen.
10. Die von diesem Gerät wiedergegebenen Tiefbaßfrequenzen können die Wiedergabe eines Plattenspielers stören. In diesem Fall muß dieses Gerät weiter vom Plattenspieler entfernt aufgestellt werden.
11. Vibrationen, die von extremen Bässen erzeugt werden, können Verzerrungen von Bildern im Fernsehgerät erzeugen. In diesem Fall das Gerät weiter vom Fernsehgerät entfernt aufstellen.
12. Dieses Gerät ist magnetisch abgeschirmt; trotzdem können Bildstörungen auftreten, wenn es zu nahe an einem Fernseher aufgestellt wird.
13. Falls Tonverzerrungen auftreten, wie z.B. ein unnatürliches Klopfen oder Pochen, muß der Lautstärkepegel reduziert werden. Durch eine sehr laute Wiedergabe von Filmtongewidergaben mit einem hohen Anteil von niedrigen Frequenzen oder von Pop und anderer Musik mit tiefen Bässen kann dieser Lautsprecher beschädigt werden.
14. **Spannungswahlschalter (nur allgemeines und China-Modell)**
Der Spannungswahlschalter an der Rückplatte dieses Gerätes muß auf die örtliche Netzspannung eingestellt werden, BEVOR der Netzstecker an eine Netzsteckdose angeschlossen wird.
Die einstellbaren Spannungen sind 110/120/220/240V Wechselstrom, 50/60 Hz.
15. **Der Anwender ist für sichere Aufstellung und Installation verantwortlich.**
YAMAHA übernimmt keine Verantwortung für Unfälle, die durch falsche Aufstellung oder Installation der Lautsprecher verursacht werden.

WICHTIG

Bitte tragen Sie die Seriennummer Ihres Gerätes in den folgenden Freiraum ein.

Seriennummer:

Die Seriennummer ist an der Geräterückplatte angegeben. Bewahren Sie diese Bedienungsanleitung an einem sicheren Platz zum späteren Nachschlagen auf.

VORSICHT

Um Feuergefahr und die Gefahr eines elektrischen Schlages zu vermeiden darf das Gerät weder Regen noch Feuchtigkeit ausgesetzt werden.

INHALT

Zur Beachtung	22
Besonderheiten	23
Aufstellung	23
Anschlüsse	24
Bedienungselemente und ihre Funktionen	27

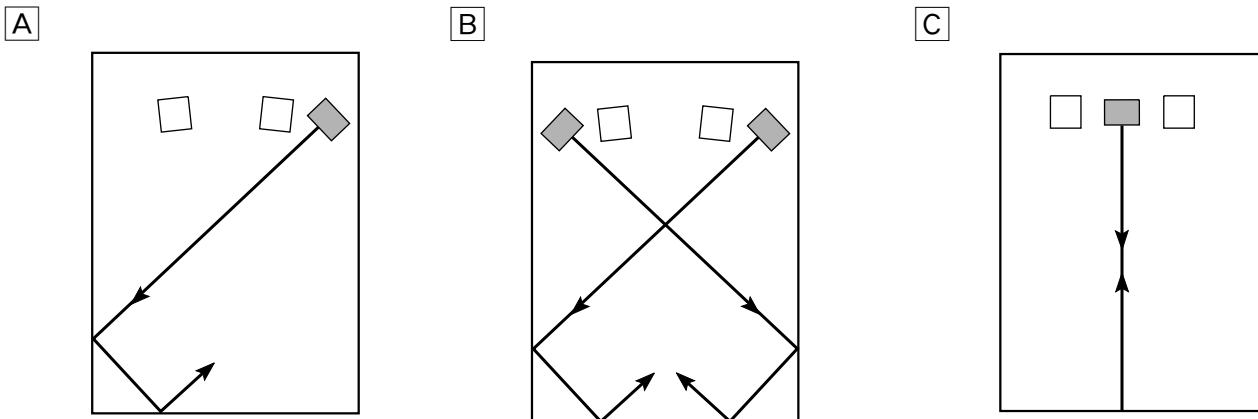
Einstellung des Lautstärkepegels	28
Advanced YAMAHA Active Servo Technology	30
Störungssuche	31
Technische Daten	31

BESONDERHEITEN

- Bei diesem Subwoofer-Lautsprecher findet die von YAMAHA entwickelte Advanced YAMAHA Active Servo Technology für eine hochwertige Tiefbaßwiedergabe Verwendung. (Für Einzelheiten über die Advanced YAMAHA Active Servo Technology wird auf die Seite 30 verwiesen.) Der Frequenzgang wird mit diesem Lautsprecher erweitert und die Leistung des ganzen Systems wird verbessert, weil für die Baßwiedergabe die vorhandenen Verstärker und Lautsprecher weniger stark belastet werden.
- Ihre bereits vorhandene Stereoanlage kann mit dem Subwoofer-Lautsprecher ergänzt werden, der einfach an die Lautsprecherklemmen oder an die Line-Ausgangsbuchsen des Verstärkers angeschlossen werden kann.
- Für eine optimale Wiedergabe muß die Tiefbaßwiedergabe des Subwoofer-Lautsprechers auf Ihre Hauptlautsprecher abgestimmt werden. Zu diesem Zweck ist der Subwoofer-Lautsprecher mit einem Übergangsfrequenzregler **HIGH CUT** ausgerüstet.
- Mit der automatischen Bereitschaftsfunktion erübrigt sich das Betätigen der Netztaaste **STANDBY/ON** beim Ein- und Ausschalten.

Deutsch

AUFSTELLUNG



(■ : Subwoofer-Lautsprecher, □ : Hauptlautsprecher)

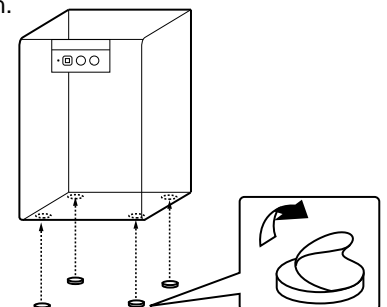
Mit einem Subwoofer-Lautsprecher können Sie die Tonwiedergabe stark verbessern. Für eine größere Präsenz wird jedoch empfohlen zwei Subwoofer-Lautsprecher zu verwenden.

Bei Verwendung von nur einem Subwoofer-Lautsprecher wird empfohlen, daß er auf der äußeren Seite des linken oder rechten Hauptlautsprechers aufgestellt wird. (Siehe Abb. **A**) Falls zwei Subwoofer-Lautsprecher verwendet werden, sollten sie auf der Außenseite der Hauptlautsprecher aufgestellt werden. (Siehe Abb. **B**) Eine wie in Abb. **C** angezeigte Aufstellung ist ebenfalls möglich. Wenn der Subwoofer-Lautsprecher allerdings direkt gegen eine Wand gerichtet wird, kann der Baßeffect vermindert werden, weil sich die direkten und die von der Wand reflektierten Schallwellen gegenseitig aufheben. Aus diesem Grund sollte der Subwoofer-Lautsprecher möglichst schräg zu einer Wand aufgestellt werden, wie in Abb. **A** oder **B** gezeigt.

von diesem Lautsprecher zu schwach, weil sich zwischen zwei parallelen Wänden Stehwellen bilden, die sich gegenseitig aufheben. Richten Sie in diesem Fall den Subwoofer-Lautsprecher schräg zur Wand oder brechen Sie die Reflexionen von der Wand, indem Sie z.B. Bücherregale an der Wand aufstellen.

Gummiunterlagen

Um zu verhüten, daß sich die Subwooferposition wegen auftretenden Schallschwingungen usw. verändern kann, bringen Sie die mitgelieferten Gummiunterlagen an den vier Ecken des Subwoofers an.



Hinweis

In der Raummitte ist unter Umständen die Tiefbaßwiedergabe

ANSCHLÜSSE

Niemals den Netzstecker des Subwoofers und andere Audio/Video-Komponenten einstecken, bevor alle anderen Verbindungen hergestellt sind.

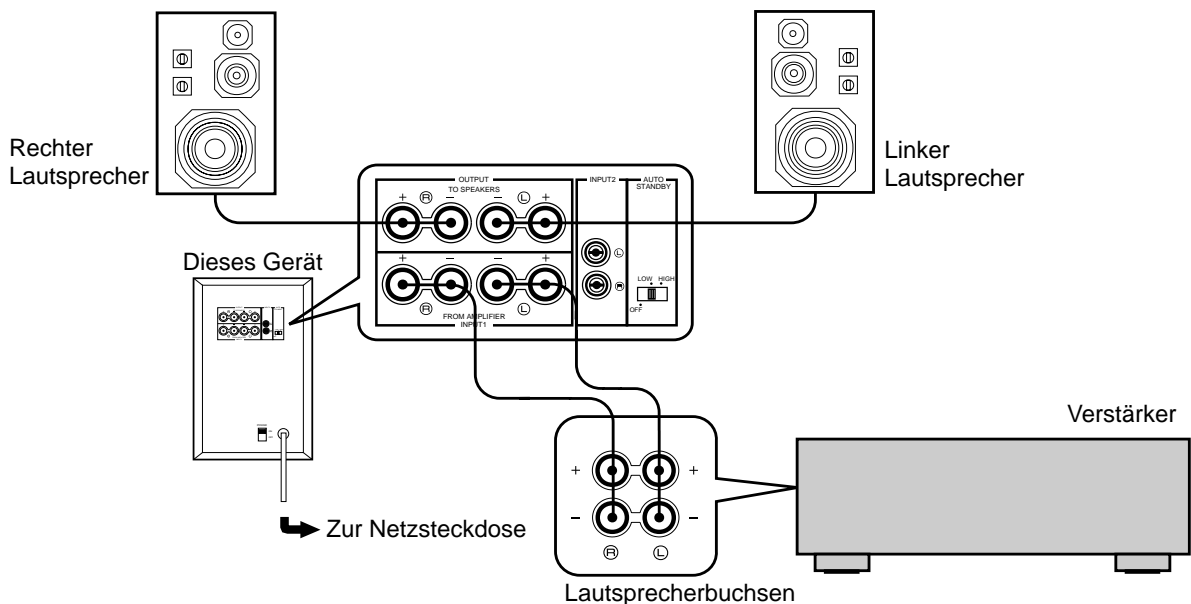
- Für die Anschlüsse zwischen diesem Gerät und anderen Komponenten müssen die Seiten links (L), rechts (R), plus (+) und minus (-) genau beachtet werden.
- Dieser Lautsprecher kann entweder an den Lautsprecherklemmen oder an den Line-Ausgangsbuchsen des Verstärkers angeschlossen werden. Schließen Sie den Subwoofer-Lautsprecher je nach der Konfiguration Ihrer Audioanlage wie nachstehend gezeigt an. Siehe auch Bedienungsanleitung der Stereoanlage.

ANSCHLUSS AN DIE LAUTSPRECHERKLEMMEN DES VERSTÄRKERS

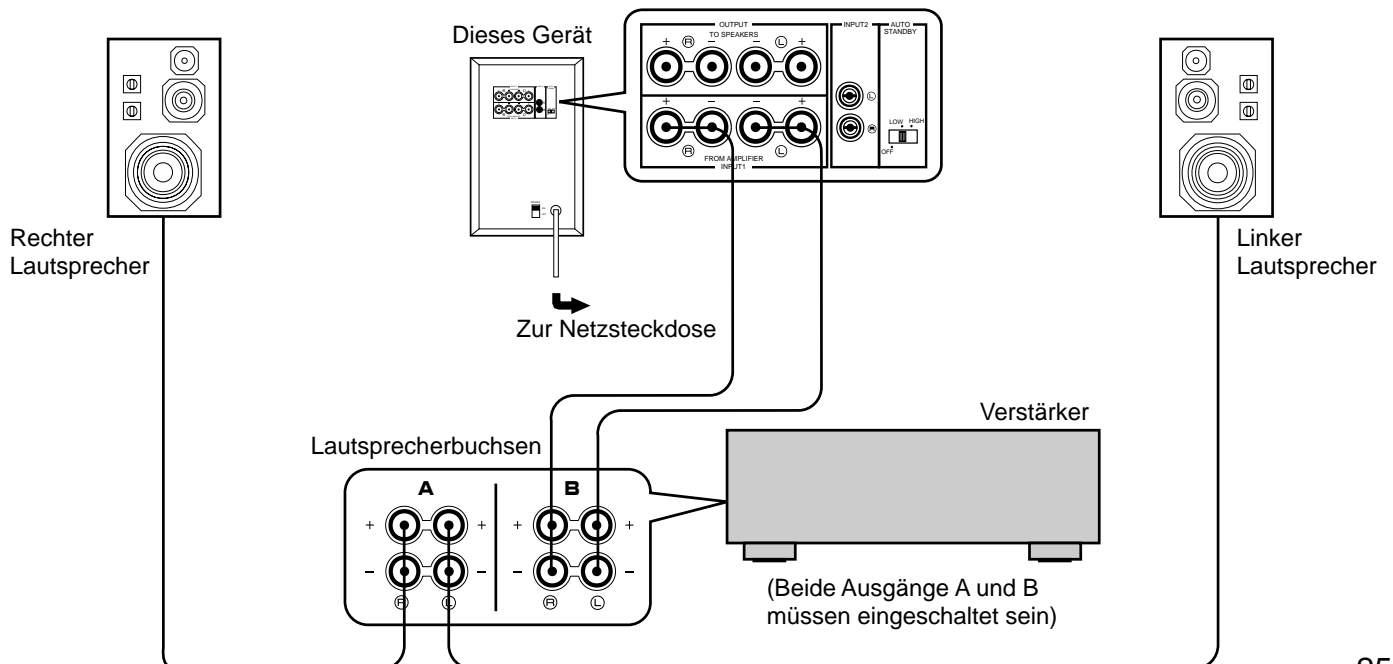
Bei Verwendung von einem Subwoofer

Wenn Ihr Verstärker einen Satz von Lautsprecherbuchsen hat

- Trennen Sie die Hauptlautsprecher vom Verstärker ab, wenn angeschlossen, und schließen Sie an die Lautsprecherbuchsen dieses Geräts an.

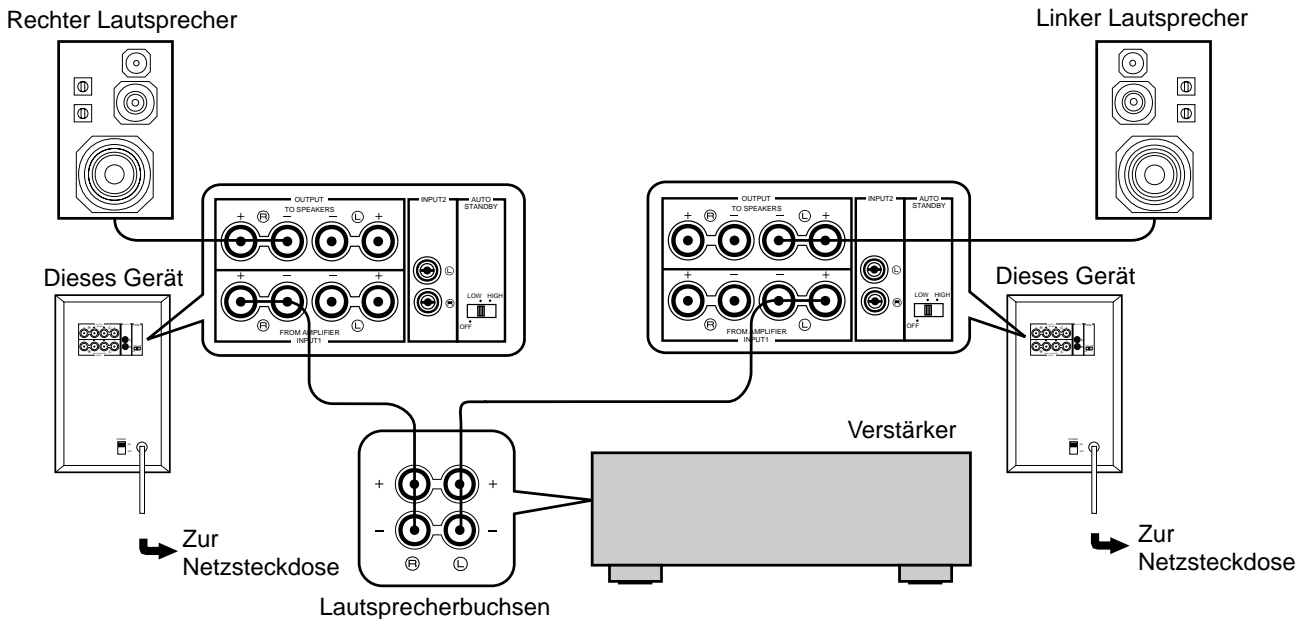


Wenn Ihr Verstärker zwei Sätze von Lautsprecherbuchsen hat



Bei Verwendung von zwei Subwoofern

Trennen Sie die Hauptlautsprecher vom Verstärker ab, wenn angeschlossen, und schließen Sie an die Lautsprecherbuchsen dieses geräts an.

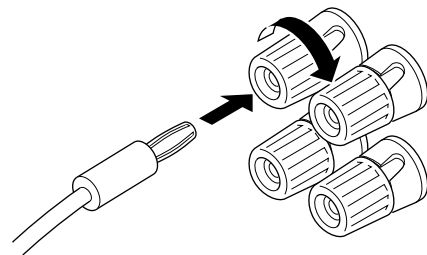


Anschluß an die Ausgangs-/Eingangsbuchsen (OUTPUT/INPUT)

Halten Sie die Lautsprecherkabel so kurz wie möglich. Bei fehlerhaftem Anschluß kann von den Lautsprechern kein Ton gehört werden. Achten Sie auch darauf, daß die Plus- und Minuskabel richtig angeschlossen sind, weil sonst die Tonwiedergabe unnatürlich klingt und die Baßwiedergabe zu schwach ist.

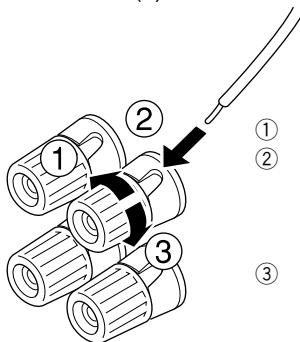
Die Lautsprecherkabel dürfen nicht kurzgeschlossen werden oder Metallteile dieses Lautsprechers berühren, weil sonst der Subwoofer-Lautsprecher, der Verstärker oder die anderen Lautsprecher beschädigt werden können.

* Für den Anschluß können auch Bananenstecker verwendet werden (außer Großbritannien und Europa Modelle). Stecken Sie die Bananenstecker einfach in die entsprechende Klemme.



Anschluß

ROT für das (+) Zeichen
SCHWARZ für das (-) Zeichen

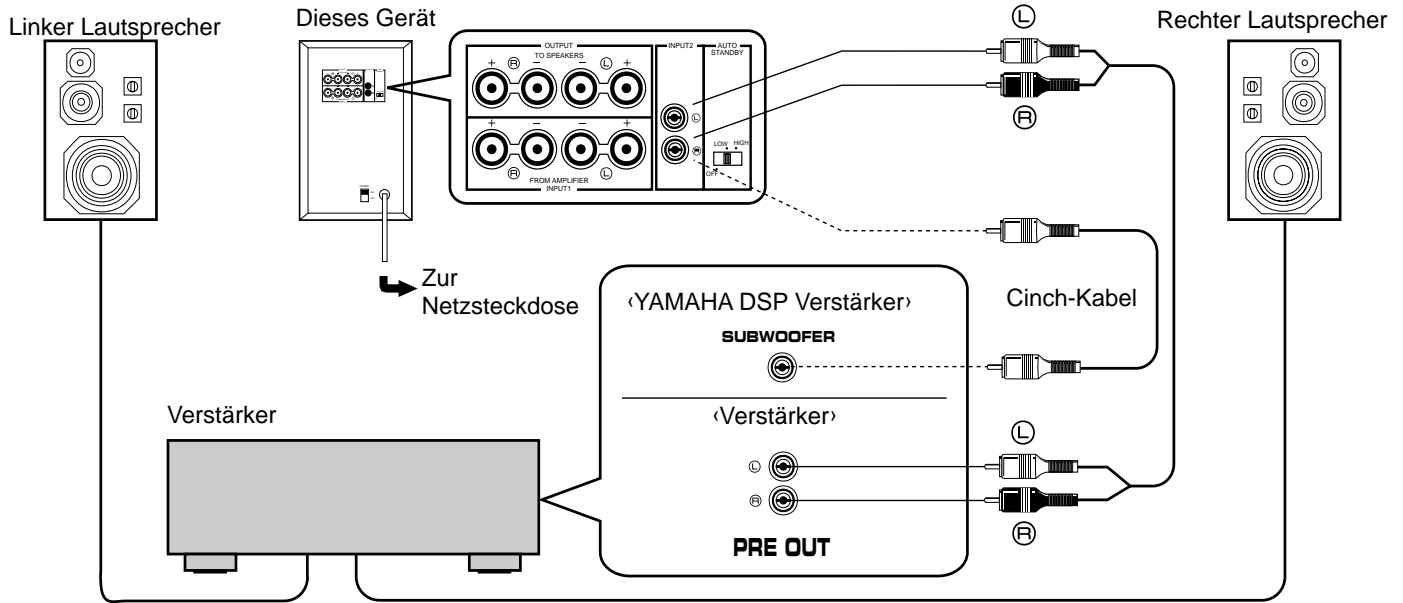


- ① Den Knopf losschrauben.
- ② Stecken Sie das abisolierte Lautsprecherkabel (ca. 5 mm Isolation entfernt) hinein.
- ③ Den Knopf zum Befestigen des Kabels festziehen.

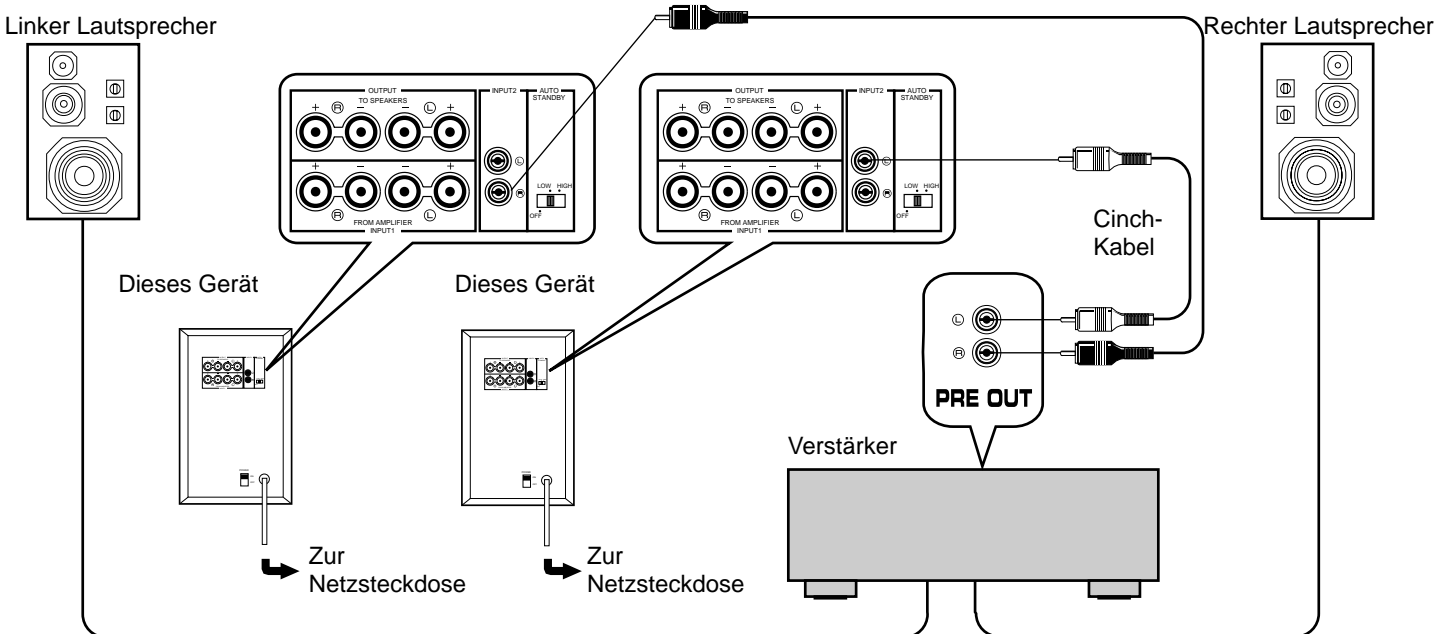
ANSCHLUSS AN DIE LINE-AUSGANGSBUCHSEN (CINCHBUCHSEN) DES VERSTÄRKERS

- Lassen Sie die Hauptlautsprecher am Verstärker angeschlossen.
- Die Line-Ausgangsbuchsen können am Verstärker mit PRE OUT oder SUBWOOFER OUT bezeichnet sein.
- Zum Anschließen eines DSP-Verstärkers von YAMAHA müssen Sie die an der Rückseite des DSP-Verstärkers befindliche Buchse SUBWOOFER (oder LOW PASS usw.) mit der Buchse INPUT 2 (L) oder (R) verbinden.

Bei Verwendung von einem Subwoofer



Bei Verwendung von zwei Subwoofern

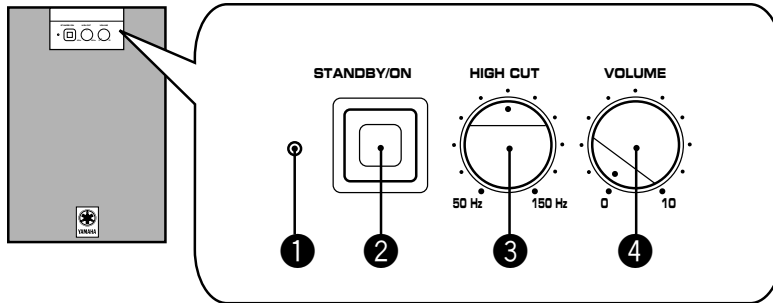


Hinweise

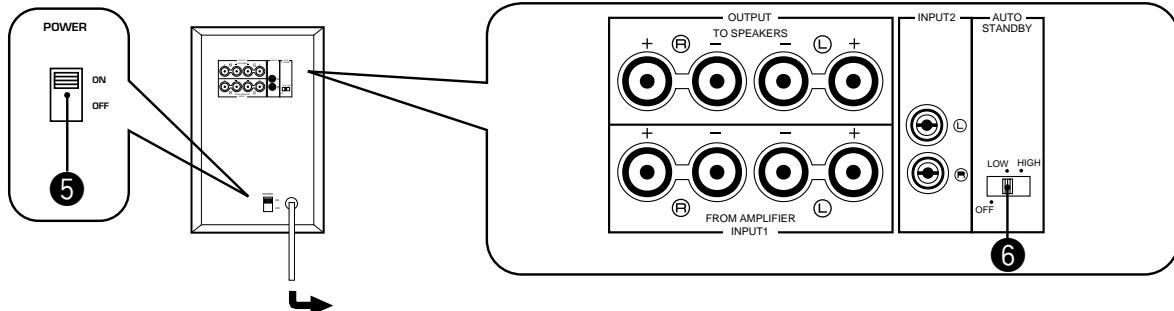
- Beim Anschluß an den Line-Ausgangsbuchsen dürfen an den Ausgangsklemmen (OUTPUT) auf der Rückseite des Subwoofer-Lautsprechers keine anderen Lautsprecher angeschlossen werden, weil sonst keine Tonwiedergabe möglich ist.
- Beim Anschluß an eine Mono-Line-Ausgangsbuchse des Verstärkers können Sie das Kabel an der linken oder an der rechten Eingangsbuchse (INPUT 2) anschließen.
- Bei Verwendung eines Endstufenverstärkers und Vorverstärkers muß der Vorverstärker zwei Sätze von PRE-OUT-Buchsen haben. Wenn der Vorverstärker nur einen Satz von PRE-OUT-Buchsen hat, diese Einheit an die Lautsprecherbuchsen anschließen. (Siehe Seite 24.)

BEDIENUNGSELEMENTE UND IHRE FUNKTIONEN

Vorderseite



Rückseite



- 1 Netzanzeige (Power)**
Die Netzanzeige leuchtet bei eingeschaltetem Netzschalter (POWER).

* In der Position LOW oder HIGH des rückseitigen Auto-Bereitschaft-Schalters (**AUTO STANDBY**) leuchtet diese Anzeige schwach, wenn am Gerät kein Signaleingang vorhanden ist.
- 2 Netztaсте (STANDBY/ON)**
Beim Drücken der Taste wird das Gerät abwechselnd ein- und aus (auf Bereitschaft) geschaltet. Eine geringe Menge Strom wird auch im Bereitschaftsbetrieb ständig aufgenommen.
- 3 Übergangsfrequenzregler (HIGH CUT)**
Mit diesem Regler kann die Grenzfrequenz eingestellt werden. Die Frequenzen über der mit diesem Regler eingestellten Frequenz werden abgeschnitten (sie werden nicht wiedergegeben).
- 4 Lautstärkeregler (VOLUME)**
Stellen Sie mit diesem Regler die Lautstärke ein.
- 5 Haupt-Netzschalter (POWER)**
Normalerweise soll dieser Schalter in der Stellung ON sein. Wenn das Gerät längere Zeit nicht verwendet werden soll, stellen Sie den Schalter auf OFF.
- 6 Auto-Bereitschaft-Schalter (AUTO STANDBY)**
Mit diesem Schalter kann die automatische Bereitschaftsfunktion aktiviert werden. Normalerweise stellen Sie den Schalter auf LOW-Position. Zum Aufheben der Funktion den Schalter auf OFF stellen.

* Ändern Sie die Einstellung dieses Schalters nur, wenn das Gerät auf Bereitschaftsbetrieb geschaltet ist (wenn die Netztaсте (**STANDBY/ON**) auf OFF gestellt ist).

Automatische Bereitschaftsfunktion

Beim Einschalten einer Tonquelle wird dieses Gerät durch die Toneingangssignale automatisch eingeschaltet. Falls während einiger Minuten kein niederfrequentes Toneingangssignal vorhanden ist, bzw. durch das Ausschalten der Tonquelle, wird dieses Gerät automatisch in die Betriebsbereitschaft umgeschaltet.

Diese Funktion benötigt zum Umschalten einen bestimmten Signalpegel. In der Position HIGH des Auto-Bereitschaft-Schalters (**AUTO STANDBY**) ist eine hohe Empfindlichkeit, in der Position LOW ist eine geringe Empfindlichkeit vorhanden. Beachten Sie, daß in der Position HIGH das Gerät durch einen geringen Signalpegel eingeschaltet wird, und andererseits das Gerät selbst bei einem extrem geringen Pegel des Eingangssignals nicht in die Bereitschaft ausgeschaltet werden kann.

* Es ist möglich, daß das Gerät durch Störgeräusche von anderen Geräten unerwartet eingeschaltet wird. In diesem Fall müssen Sie den Auto-Bereitschaft-Schalter (**AUTO STANDBY**) in die Position OFF oder LOW stellen.

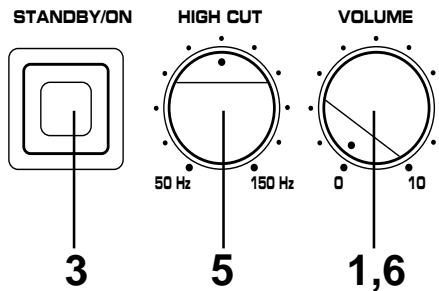
* Der Niederfrequenzpegel kann zwischen den einzelnen Quellen und den einzelnen Teilen der gleichen Quellen verschieden sein. Aus diesem Grund kann diese Funktion bei gewissen Quellen nicht richtig funktionieren.

Diese Funktion ist nur bei eingeschaltetem Gerät (bei eingeschalteter Netztaсте (STANDBY/ON**) 2) betriebsbereit.**

EINSTELLUNG DES LAUTSTÄRKEPEGELS

Die Einstellungen des Lautstärkereglers (**VOLUME**) und des Übergangsfrequenzreglers (**HIGH CUT**) sollten entsprechend den Hauptlautsprechern, den Wiedergabebedingungen, der Tonquelle usw. angepasst werden.

Vorderseite



- 1 Stellen Sie den Lautstärkereglers (**VOLUME**) in die Minimalstellung (0).
- 2 Schalten Sie die anderen Geräte ein.
- 3 Drücken Sie die Netztaaste (**STANDBY/ON**) zum Einschalten des Geräts.
- 4 Beginnen Sie mit der Wiedergabe einer Tonquelle und stellen Sie mit dem Lautstärkereglers des Verstärkers den gewünschten Wiedergabepegel ein.
- 5 Stellen Sie den Übergangsfrequenzregler (**HIGH CUT**) entsprechend den angeschlossenen Hauptlautsprechern ein.

Normalerweise wird der Regler auf die minimale wiederzugesende Frequenz des Hauptlautsprechers* entsprechend dem Nennwert eingestellt*. Wenn die gewünschte Frequenzwiedergabe nicht erzielt werden kann, stellen Sie den Regler erneut nach eigenem Geschmack ein.

* Der Nennwert für minimale wiedergebbare Frequenz des Hauptlautsprechers kann in der technischen Dokumentation des Lautsprechers oder in der Bedienungsanleitung nachgeschlagen werden.

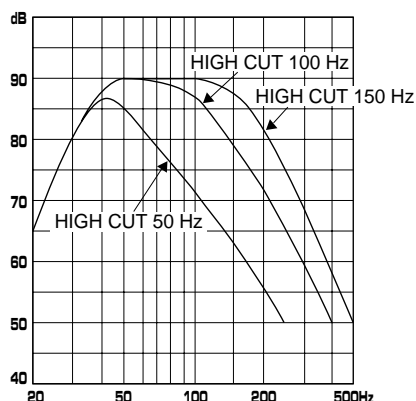
- 6 Drehen Sie den Lautstärkereglers (**VOLUME**) langsam höher, um die Lautstärkebalance zwischen diesem Gerät und den Hauptlautsprechern einzustellen.

Normalerweise drehen Sie den Regler auf einen Pegel, wo Sie ein wenig mehr Tiefen erhalten als wenn das Gerät nicht verwendet wird. Wenn die gewünschte Frequenzwiedergabe nicht erzielt werden kann, stellen Sie den Regler erneut nach eigenem Geschmack ein.

Wenn einmal die Lautstärkebalance zwischen dem Subwoofer und den Hauptlautsprechern eingestellt ist, kann der Gesamtlautstärkepegel mit dem Lautstärkereglers des Verstärkers eingestellt werden.

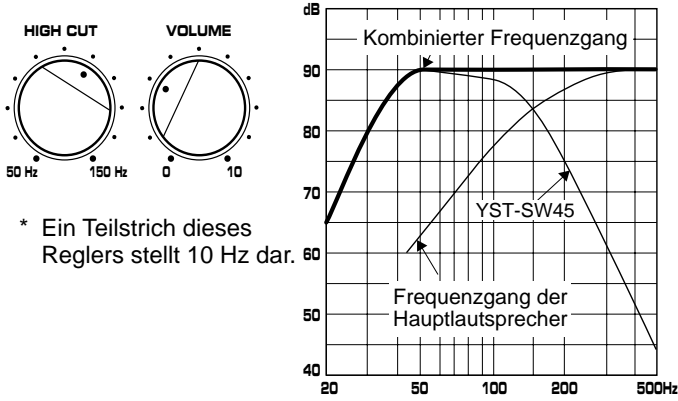
FREQUENZGANG

Frequenzgang des Subwoofer-Lautsprechers

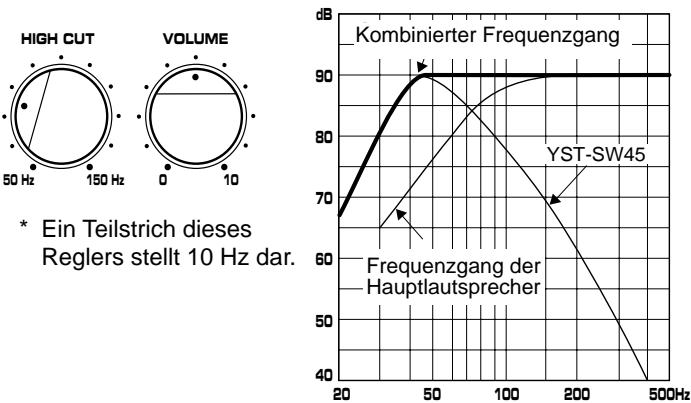


Die Abbildungen unten zeigen die optimale Einstellung jedes Reglers und die Frequenzeigenschaften, wenn dieses Gerät mit einem typischen Hauptlautsprechersystem kombiniert ist.

BEISP.1 In Kombination mit einem 3" oder 4" (8-cm- oder 10-cm) akustisch aufgehängten 2-Wege-System-Boxen.



BEISP.2 In Kombination mit einem 5" (13-cm) akustisch aufgehängten 2-Wege-System-Boxen.



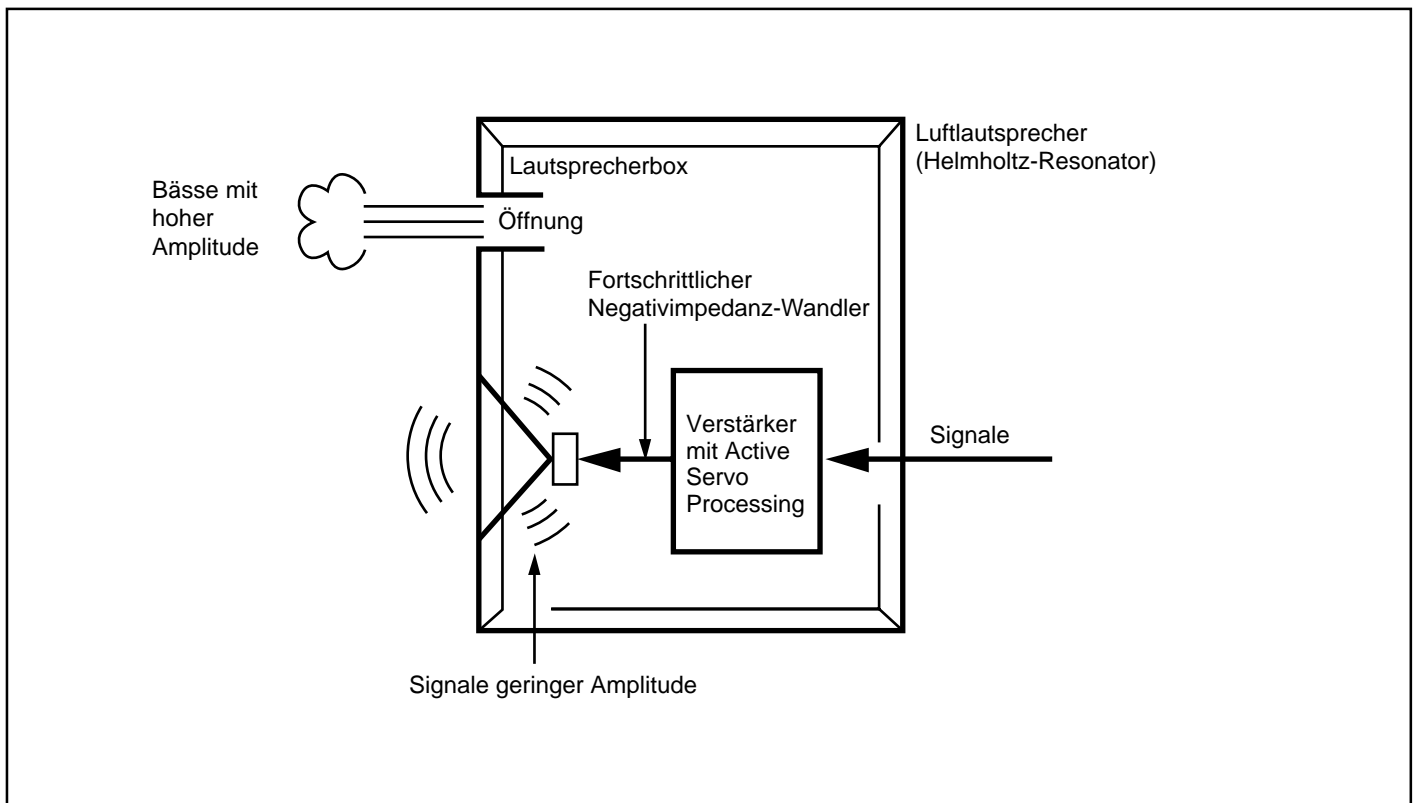
ADVANCED YAMAHA ACTIVE SERVO TECHNOLOGY

Die Theorie der Yamaha Active Servo Technology basiert auf zwei Grundfaktoren: dem Helmholtz-Resonator und der Negativimpedanzsteuerung. Active Servo Processing-Lautsprecher reproduzieren die Baßfrequenzen durch eine Baßöffnung in der Lautsprecherbox. Diese Öffnung übernimmt die Funktion eines Tieftonlautsprechers in herkömmlichen Lautsprechersystemen und wird an dessen Stelle verwendet. Laut der Helmholtztheorie können im Bereich der Resonanzfrequenz durch kleine Erregerschwingungen große Ausgangsamplituden erzeugt werden. Die Resonanzfrequenz der Box wird daher so dimensioniert, daß sie in dem Bereich liegt, wo der Wiedergabepegel des Tieftöners absinkt. Dadurch wird der lineare Wiedergabefrequenzbereich zu sehr tiefen Tönen erweitert. Um Resonanzüberhöhungen und unpräzise Baßwiedergabe zu vermeiden sind große Antriebs- und Rückstellkräfte der Lautsprechermembran nötig. Zur Lösung dieses Problems wurde von den YAMAHA-Konstrukteuren ein Verstärkerprinzip entwickelt, das folgende Theorie verwirklicht:

Wird der elektrische Widerstand der Schwingspule auf Null reduziert, käme es in Bezug auf die Signalspannung zu einer linearen Bewegung der Lautsprechermembran. Um diese Reduzierung zu erreichen wird ein spezieller Verstärker eingesetzt, dessen Ausgangsimpedanz genau der der Box,

jedoch mit umgekehrtem Vorzeichen entspricht. Diese negative Ausgangsimpedanz ermöglicht die Erzeugung der nötigen Antriebskräfte wodurch hervorragende Tiefbaßwiedergabe und Dämpfungseigenschaften erreicht werden. Durch die Verwendung eines Verstärkers mit Negativimpedanz-Ansteuerung und der Lautsprecherbox mit Helmholtz-Resonator kann dieses System deshalb einen extrem weiten Frequenzbereich mit erstaunlicher Klangqualität und reduziertem Verzerrungsgrad reproduzieren. Die Kombination der oben beschriebenen Merkmale stellt die grundlegende Konfiguration der herkömmlichen Yamaha Active Servo Technology dar.

Unsere neue Active Servo Technology — Advanced Yamaha Active Servo Technology — wendet fortschrittliche Negativ-Impedanz-Wandler (ANIC) Schaltungen an, die es dem herkömmlichen Negativimpedanz-Wandler dynamische Variation erlauben, um einen optimalen Wert für Lautsprecherimpedanz-Variationen zu wählen. Mit den neuen ANIC-Schaltungen kann Advanced Yamaha Active Servo Technology stabilere Leistung und verbesserten maximalen Schalldruck im Vergleich mit herkömmlicher Yamaha Active Servo Technology erzeugen, wodurch eine natürliches und kräftigere Tiefenwiedergabe erzielt wird.



STÖRUNGSSUCHE

Wenn das Gerät nicht normal arbeitet, die nachfolgenden Punkte überprüfen, um die Störung möglicherweise selbst durch die angegebenen Maßnahmen zu beheben. Wenn dies nicht möglich ist oder die Störung nicht in der Spalte STÖRUNG aufgeführt ist, ziehen Sie das Netzkabel ab und wenden sich an Ihren autorisierten YAMAHA-Fachhändler oder einen Kundendienst.

STÖRUNG	URSACHE	ABHILFE
Keine Stromversorgung bei eingeschaltetem Netzschalter.	Der Netzstecker ist nicht richtig angeschlossen, oder der Hauptnetzschalter (POWER) steht auf OFF.	Das Netzkabel richtig anschließen, und/oder Hauptnetzschalter (POWER) auf ON stellen.
Keine Tonwiedergabe	Der Lautstärkereglер (VOLUME) ist auf "0" gestellt.	Den Lautstärkereglер (VOLUME) nach rechts drehen.
	Die Lautsprecherkabel sind nicht richtig angeschlossen.	Die Kabel richtig anschließen.
Zu geringer Tonwiedergabepegel	Die Lautsprecherkabel sind falsch angeschlossen.	Die Kabel seitenrichtig und richtig gepolt anschließen.
	Die wiedergegebene Tonquelle hat keine tiefen Baßfrequenzen.	Eine Tonquelle mit Baßfrequenzen wiedergeben. Mit dem Übergangsfrequenzregler (HIGH CUT) eine höhere Frequenz einstellen.
	Die Wiedergabe wird durch Stehwellen beeinflusst.	Den Subwoofer anders positionieren oder die parallelen Wände durch Aufstellen von Büchergestellen usw. auflösen.
Das Gerät schaltet nicht automatisch ein.	Der Hauptnetzschalter (POWER) steht auf OFF.	Stellen Sie den Hauptnetzschalter (POWER) auf ON.
	Der NetztaSte (STANDBY/ON) steht auf OFF.	Stellen Sie die NetztaSte (STANDBY/ON) auf ON.
	Der Auto-Bereitschaft-Schalter (AUTO STANDBY) steht auf OFF.	Stellen Sie den Auto-Bereitschaft-Schalter (AUTO STANDBY) auf HIGH oder LOW.
	Der Pegel des Eingangssignals ist zu niedrig.	Stellen Sie den Auto-Bereitschaft-Schalter (AUTO STANDBY) auf HIGH.
Das Gerät schaltet unerwartet aus (auf Bereitschaft).	Der Pegel des Eingangssignals ist zu niedrig.	Stellen Sie den Auto-Bereitschaft-Schalter (AUTO STANDBY) auf HIGH.
Das Gerät schaltet unerwartet ein.	Rauschstörungen von externen Geräten liegen vor.	Stellen Sie das Gerät weiter von derartigen Störquellen entfernt auf oder ändern Sie die Lage der Lautsprecherdrähte. Andernfalls stellen Sie den Auto-Bereitschaft-Schalter (AUTO STANDBY) auf OFF.

TECHNISCHE DATEN

Typ Active Servo Processing-Subwoofer
Lautsprecher 1 × 20 cm Konus-Tieftöner (JA2162)
 magnetisch abgeschirmt
Verstärker-Ausgangsleistung 70W/5 Ohm
Tiefpaßfilter 50 Hz-150Hz (–24 dB/oct.)
Frequenzgang 30Hz-200 Hz (–10 dB)
Stromversorgung
USA- und Kanada-Modelle Netzspannung 120V, 60 Hz
Australien-Modell Netzspannung 240V, 50 Hz
Großbritannien- und Europa-Modelle
 Netzspannung 230V, 50 Hz

Allgemeines und China-Modell

..... Netzspannung 110/120/220/240V, 50/60 Hz
 (einstellbar mit Spannungswähler)

Leistungsaufnahme 55W
Abmessungen (B × H × T) 235 mm × 365 mm × 318 mm
Gewicht 9 kg
Mitgelieferte Zubehör Gummiunterlagen

* Änderungen vorbehalten.

OBSERVERA! LÄS DETTA INNAN HÖGTALAREN TAS I BRUK.

1. Läs noga igenom denna bruksanvisning för att få ut mesta möjliga av denna produkts fina prestanda. Spara bruksanvisningen för framtida referens.
2. Placera högtalaren på en plats där det är svalt, torrt och rent och på avstånd från fönster, värmekällor, starkt vibrerande källor, damm, fukt och kyla. Undvik surrande källor (transformatorer, elmotorer etc.). Utsätt inte högtalaren för regn eller väta, eftersom det kan orsaka brand eller elektriska stötar.
3. Öppna aldrig höljet. Kontakta återförsäljaren, om någonting främmande skulle råka hamna inuti i högtalaren.
4. Utsätt inte omkopplare, reglage och anslutningskablar för ovarsam hantering. Koppla loss nätkabeln och samtliga kablar anslutna till denna högtalare, innan högtalaren flyttas. Håll i kontakterna, inte i kabeln, när en kabel kopplas loss.
5. Använd aldrig en kemisk lösning vid rengöring av höljet, eftersom det kan skada ytbehandlingen. Använd en ren och torr trasa.
6. Se till att läsa igenom avsnittet "FELSÖKNING" angående vanliga manövreringsfel innan du drar slutsatsen att det är fel på högtalaren.
7. Dra ut stickkontakten från nätuttaget när högtalaren inte ska användas under en längre tid (t.ex. vid semester).
8. Dra ut stickkontakten från nätuttaget när det åskar, för att undvika skador vid eventuellt blixtnedslag.
9. Eftersom högtalaren har en inbyggd effektförstärkare, avges värme från högtalarens bakpanel. Placera högtalaren en bit från väggen, med tillräckligt stort mellanrum ovanför, bakom och på båda sidor om högtalaren, för att förhindra brand och andra skador. Placera heller inte högtalaren med bakpanelen vänd neråt mot golvet eller någon annan yta.
<Gäller endast modellerna Storbritannien til Europa>
Se till att lämna ett mellanrum på minst 20 cm ovanför, bakom och på båda sidor om högtalaren.
10. Superbasfrekvenser som reproduceras via denna högtalare kan få en skivspelare att generera ett tjutande ljud. Placera i så fall högtalaren på längre avstånd från skivspelaren.
11. Vibrationer som genereras av superbasfrekvenser från denna högtalare kan orsaka bildstörningar på en närstående teve. Placera i så fall högtalaren på längre avstånd från teven.
12. Högtalaren har en magnetiskt avskärmad uppbyggnad. Det finns dock risk för att högtalaren påverkar färgerna på tevebilden, om den placeras alltför nära en teve. Placera i så fall högtalaren på längre avstånd från teven.

13. Sänk volymen om det uppstår distorsion (d.v.s. onaturliga och oregelbundna smattrande eller hamrande ljud) ur högtalaren. Extremt hög volymnivå vid återgivning av de lägsta frekvenserna (det tyngsta basljudet) i film ljud eller musik kan resultera i att högtalaren skadas.

14. **Säker placering och anslutning är kundens ansvar. YAMAHA kan inte hållas ansvarig för en olycka som uppstått till följd av felaktig placering eller anslutning av högtalaren.**

VIKTIGT!

Anteckna produktens serienummer på nedanstående rad.

Serienummer:

Serienumret finns angivet på högtalarens baksida. Förvara bruksanvisningen på ett säkert ställe för framtida behov.

VARNING!

UTSÄTT INTE PRODUKTEN FÖR REGN ELLER FUKT, FÖR ATT MINSKA RISKEN FÖR BRAND ELLER ELEKTRISKA STÖTAR.

INNEHÅLL

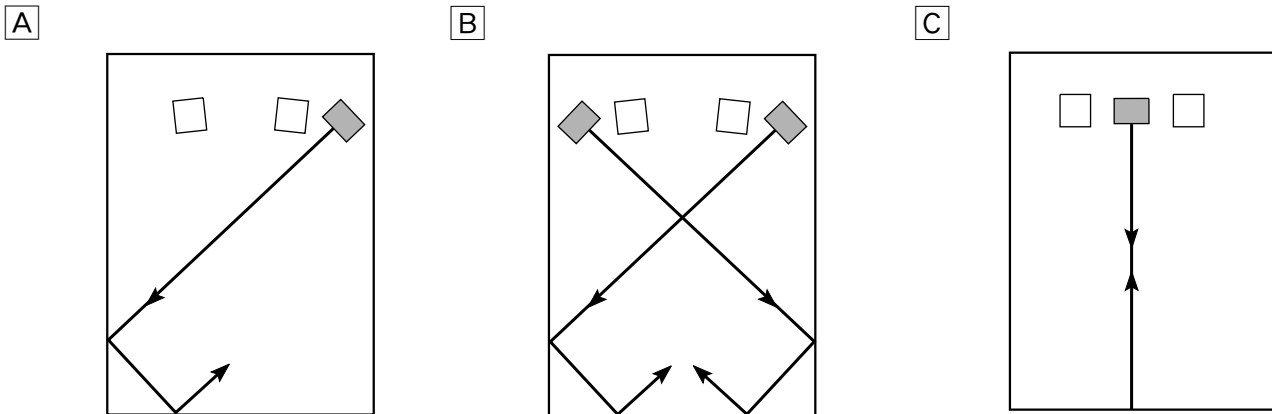
Observera	32
Egenskaper	33
Placering	33
Anslutningar	34
Reglage och deras funktioner	37

Volyminställningar	38
Advanced YAMAHA Active Servo Technology	40
Felsökning	41
Tekniska data	41

EGENSKAPER

- Denna subwooferhögtalare använder sig av den aktiva servoteknik (Advanced YAMAHA Active Servo Technology) som YAMAHA utvecklat för återgivning av ett superbassljud med hög kvalitet (vi hänvisar till sidan 40 angående detaljer om denna teknik). Med detta superbassljud kan ett mer realistiskt, biosalongsliknande ljud uppnås från en vanlig hemstereoanläggning.
- Denna högtalare kan lätt kopplas till en existerande ljudanläggning genom att ansluta den antingen till högtalarutgångarna eller till linjeutgångarna (stiftkopplingar) på förstärkaren.
- För att kunna utnyttja denna högtalare så effektivt som möjligt måste dess superbassljud anpassas till ljudet som återges via huvudhögtalarna. Med hjälp av reglaget **HIGH CUT** är det möjligt att skapa optimal ljudkvalitet för olika lyssningsförhållanden.
- Högtalaren har en automatisk beredskapsfunktion som gör att omkopplaren **STANDBY/ON** inte behöver tryckas in varje gång strömmen ska kopplas på eller av.

PLACERING



( : subwooferhögtalare,  : huvudhögtalare)

En subwooferhögtalare är tillräckligt för att ge ett basljud med god effekt i en ljudanläggning. Vi rekommenderar dock användning av två subwooferhögtalare för att ge ytterligare närvarokänsla.

När en subwooferhögtalare används, rekommenderas att den placeras utanför antingen höger eller vänster huvudhögtalare (se ill. **A**). När två subwooferhögtalare används, rekommenderas att de placeras utanför varje huvudhögtalare (se ill. **B**). En subwooferhögtalare kan även placeras så som visas på ill. **C**. Men om den placeras vänd vinkelrätt mot en vägg finns det risk för att baseffekten kommer att dö ut på grund av att ljudet från högtalaren och det reflekterade ljudet från väggen upphäver varandra. För att undvika detta fenomen bör därför subwooferhögtalaren (-högtalarna) placeras i sned vinkel mot väggen enligt ill. **A** eller **B**.

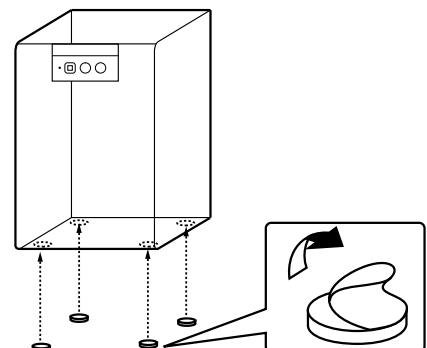
Anmärkning

Det kan i vissa fall hända att tillräckligt bra superbassljud från subwooferhögtalaren inte kan erhållas vid lyssning i mitten av rummet. Detta beror på att s.k. stående vågor har utvecklats

mellan två parallella väggar och att bastonerna därmed upphävs. Se i så fall till att placera högtalaren i sned vinkel mot väggen. Det kan också vara nödvändigt att bryta de parallella ytorna genom att placera bokhyllor e.dyl. längs väggarna.

Använd gummidynorna

Sätt de medföljande gummidynorna i de fyra hörnen på undersidan av subwoofern, för att förhindra att subwoofern rör sig på grund av vibrationer, etc.



ANSLUTNINGAR

Anslut aldrig subwooferhögtalaren eller andra ljud/videokomponenter till ett nätuttag förrän samtliga övriga anslutningar är klara.

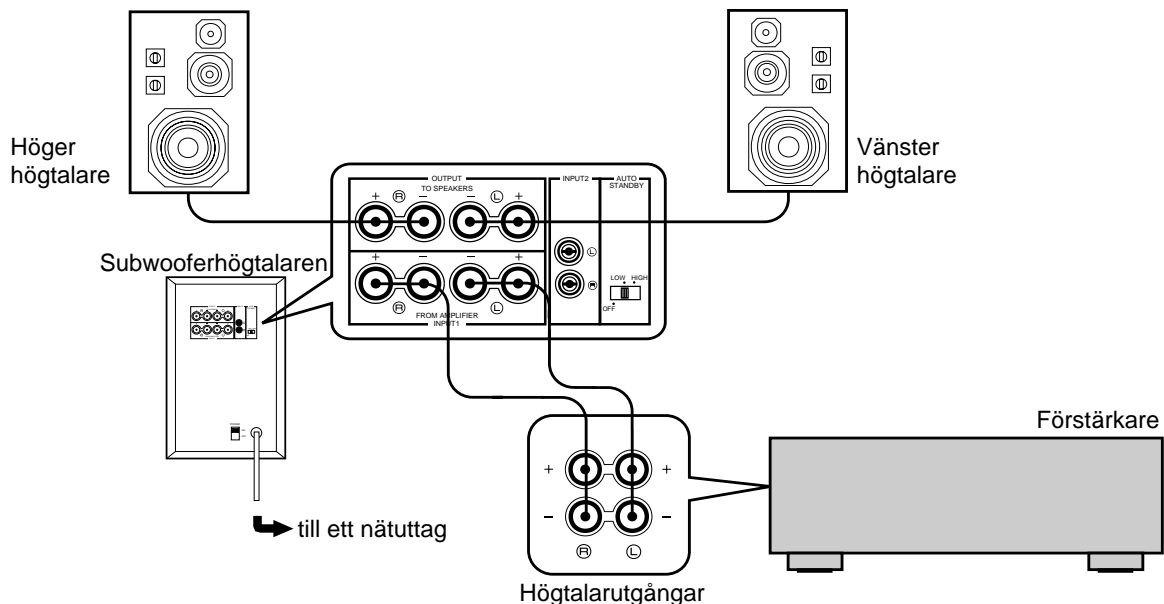
- Var vid anslutningar mellan denna högtalare och andra produkter noga med att anslutningarna görs ordentligt och på korrekt sätt. Anslut in/utgångarna L (vänster) till L, R (höger) till R, + till + och – till –.
- Denna högtalare kan anslutas antingen till högtalarutgångarna eller till linjeutgångarna (stiftkopplingar) på förstärkaren. Välj ett av anslutningssätten nedan enligt befintlig ljudanläggning.

ANSLUTNING TILL HÖGTALARUTGÅNGAR PÅ EN FÖRSTÄRKARE

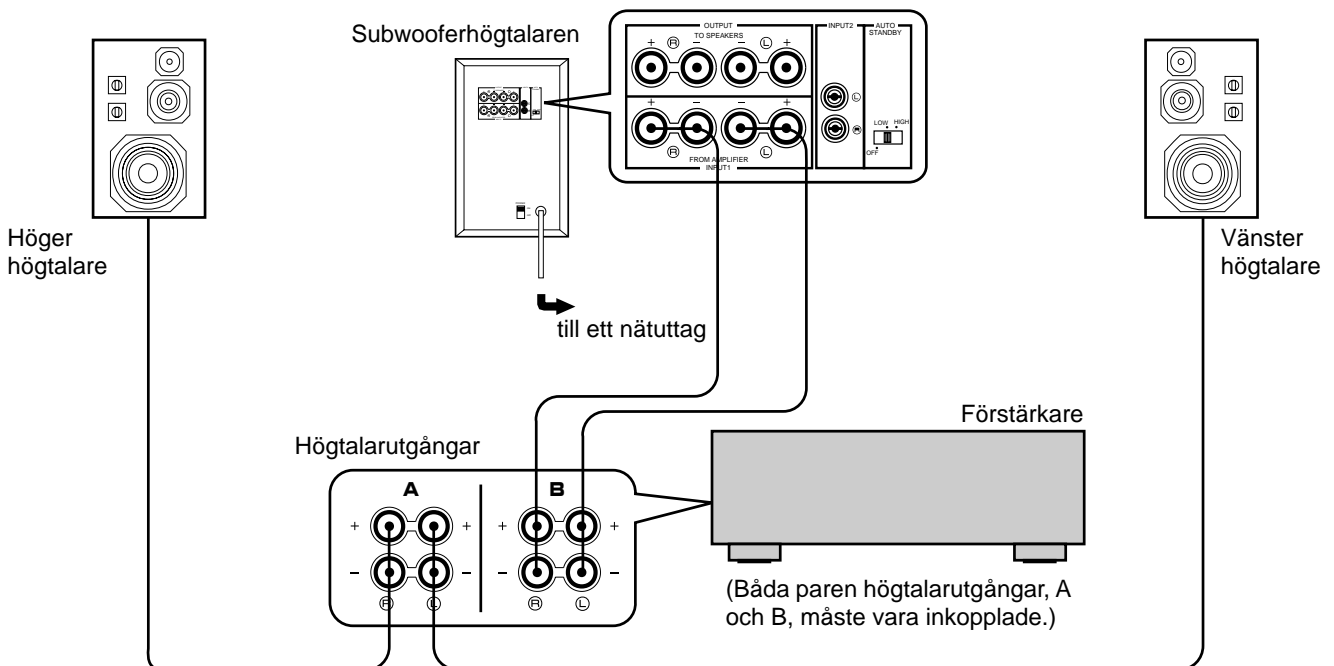
När en subwooferhögtalare används

När förstärkaren har ett par högtalarutgångar

- Koppla loss huvudhögtalarna från förstärkaren, om de är anslutna, och anslut dem till högtalarutgångarna på subwooferhögtalaren.

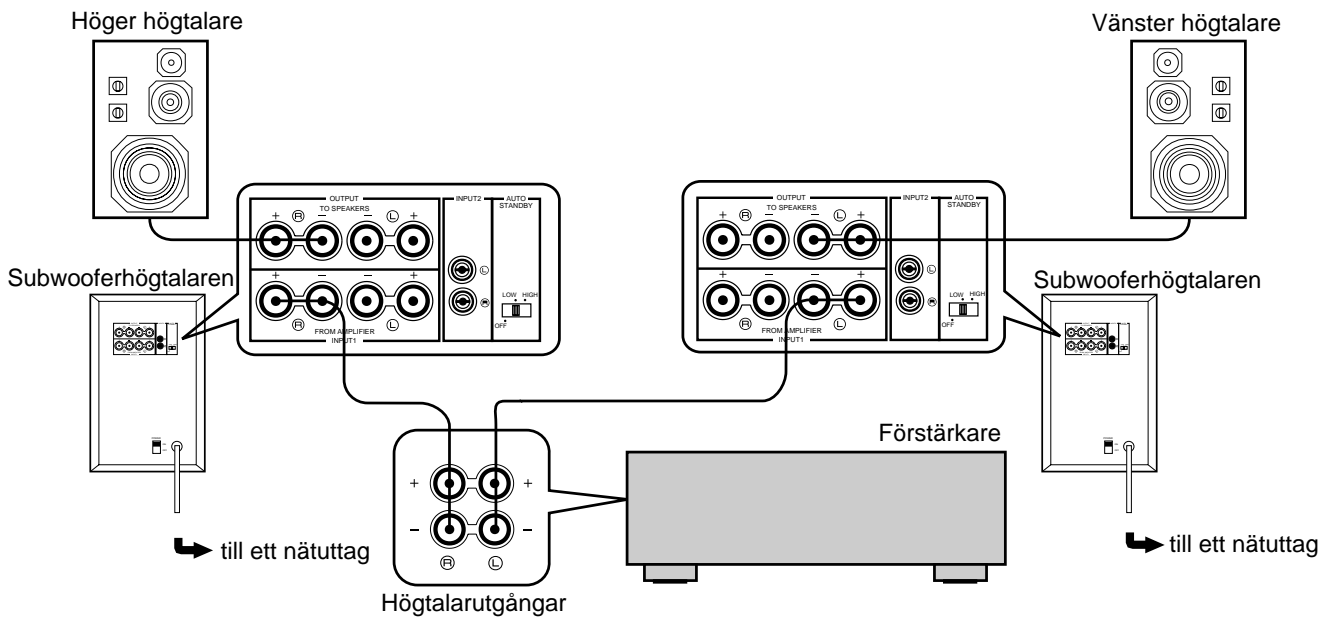


När förstärkaren har två par högtalarutgångar



När två subwooferhögtalare används

Koppla loss huvudhögtalarna från förstärkaren, om de är anslutna, och anslut dem till högtalarutgångarna på subwooferhögtalaren.



Anslutning till ingångarna INPUT 1 och utgångarna OUTPUT på denna högtalare

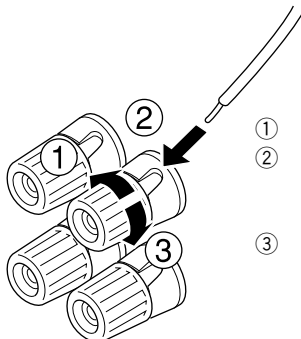
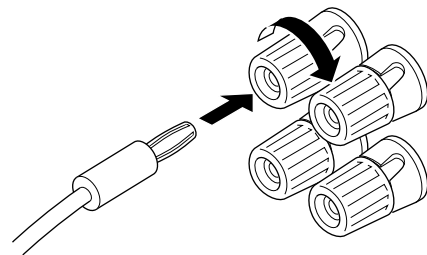
Använd så korta högtalarkablar som möjligt (kapa om nödvändigt en för lång kabel). Felaktiga anslutningar gör att inget ljud kan återges via högtalarna. Kontrollera att högtalarkablarnas poler ansluts korrekt genom att observera märkningarna + och -. Om anslutningarna kastas om kommer ljudet att låta onaturligt och sakna bas.

Se till att inte högtalarkablarnas kärnor kommer i kontakt med varandra eller med någon metallidel på subwooferhögtalaren, eftersom det kan leda till att subwooferhögtalaren, förstärkaren och/eller huvudhögtalarna skadas.

Anslutningsmetod:

Röd: positiv pol (+)
Svart: negativ pol (-)

* Anslutning med hjälp av banankontakter är också möjlig (gäller ej modellerna till Europa). Skjut helt enkelt in banankontakten i avsedd in/utgång.

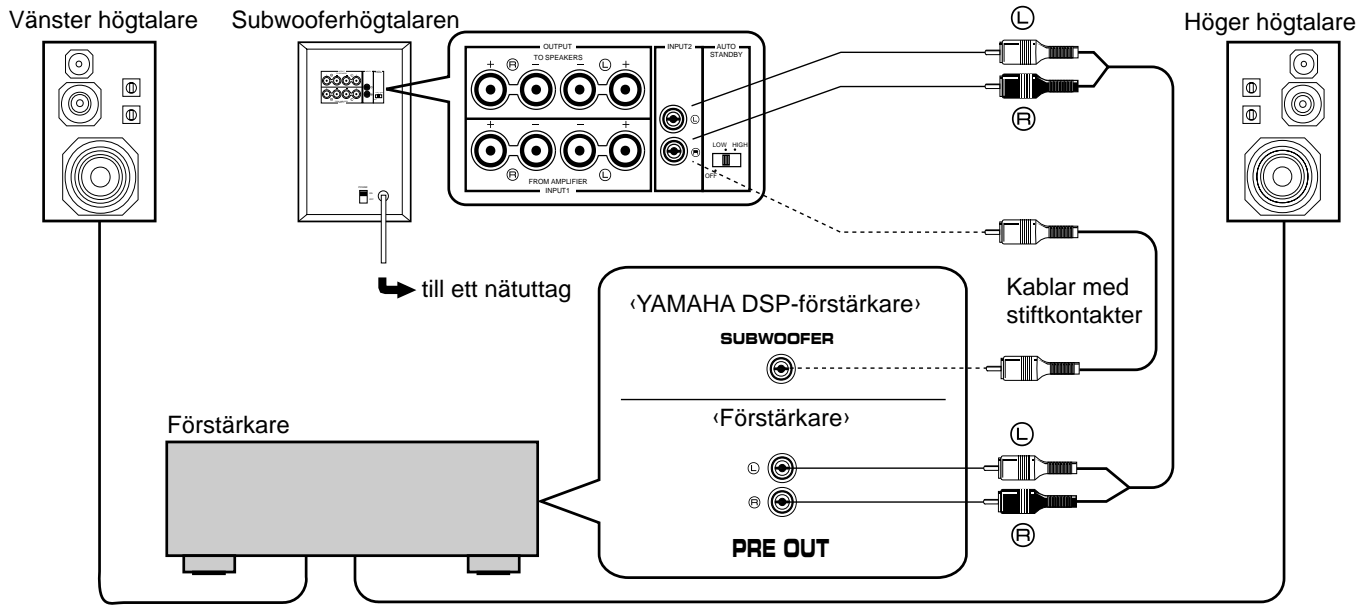


- ① Skruva ut knoppen.
- ② Skjut in kabelns kärna (skala först bort ca 5 mm av kabelmanteln) i hålet.
- ③ Skruva åt knoppen tills kabeln sitter fast ordentligt.

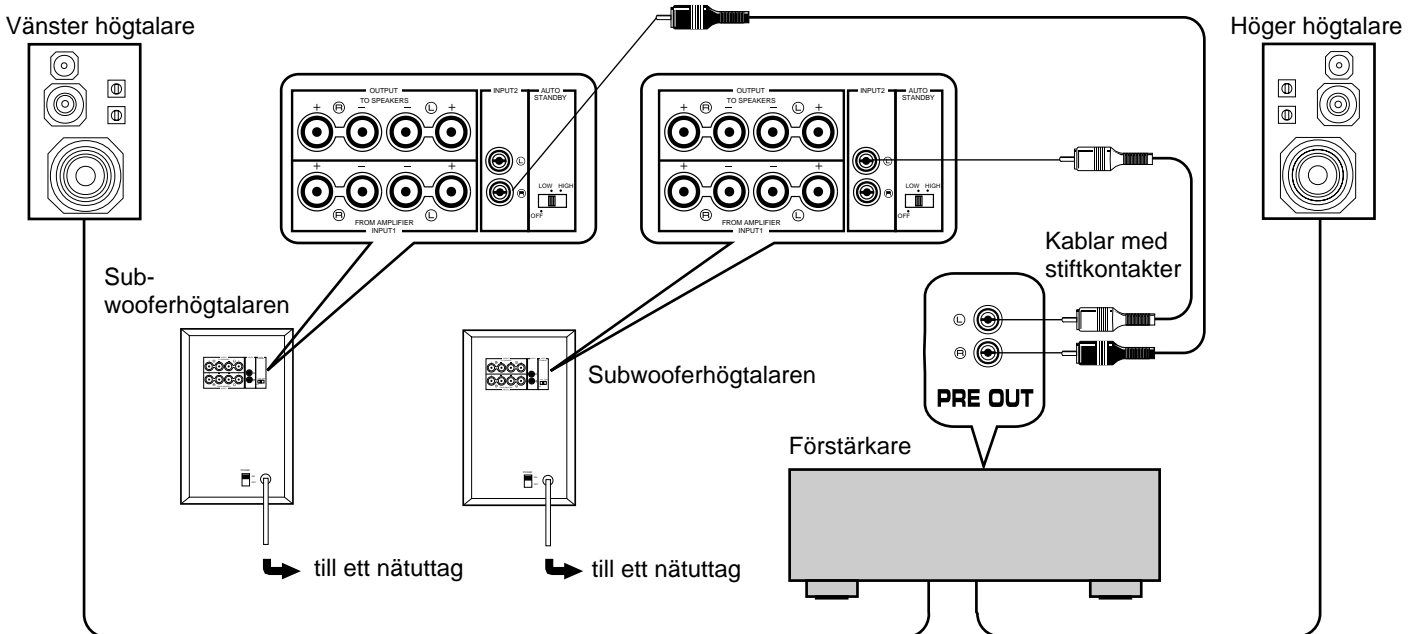
ANSLUTNING TILL LINJEUTGÅNGAR (STIFTKOPPLINGAR) PÅ EN FÖRSTÄRKARE

- Anslut huvudhögtalarna till högtalarutgångarna på förstärkaren.
- Linjeutgångar på förstärkare brukar vara märkta PRE OUT eller SUBWOOFER OUT.
- Vid anslutning till en YAMAHA DSP-förstärkare, ska utgången SUBWOOFER (eller LOW PASS etc.) på baksidan av DSP-förstärkaren anslutas till någon av ingångarna INPUT2, (L) eller (R).

När en subwooferhögtalare används



När två subwooferhögtalare används

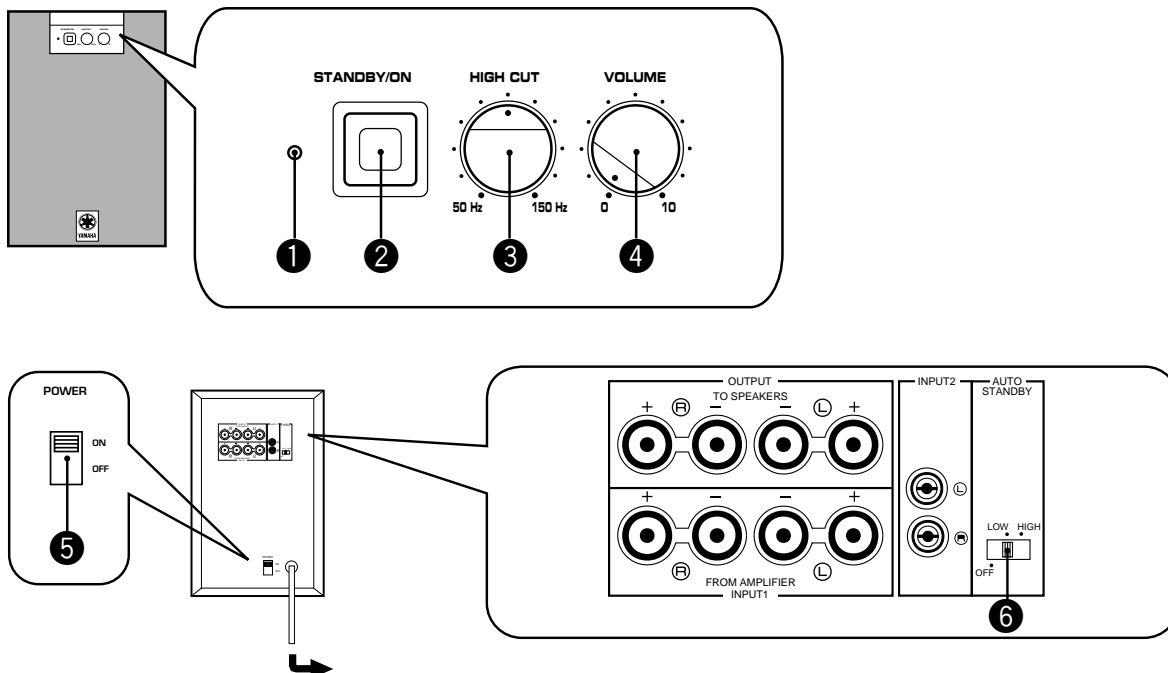


Anmärkningar gällande anslutningarna ovan

- Vid anslutning av subwooferhögtalare till linjeutgångar på en förstärkare får inga andra högtalare anslutas till utgångarna OUTPUT på subwooferhögtalarens baksida, eftersom inget ljud i så fall kan återges via dessa högtalare.
- Vid anslutning av subwooferhögtalaren till en enkanalig linjeutgång på en förstärkare, ska anslutningen göras till antingen vänster (L) eller höger (R) INPUT2-ingång .
- Vid användning av en effektförstärkare och en förförstärkare måste förförstärkaren ha två par förförstärkarutgångar PRE OUT. Anslut subwooferhögtalaren till högtalarutgångarna, om förförstärkaren bara har ett par förförstärkarutgångar PRE OUT (se sid. 34).

REGLAGE OCH DERAS FUNKTIONER

Frampanel



- 1 Strömindikator**
Lyser medan högtalaren är på.
* Om omkopplaren **AUTO STANDBY** på bakpanelen står i läget LOW eller HIGH, så lyser denna indikator svagt medan inga signaler matas in i högtalaren.
- 2 Strömomkopplare (STANDBY/ON)**
Tryck på denna omkopplare för att slå på eller av (koppla in beredskapsläge för) högtalaren. En liten mängd ström förbrukas alltid, också medan högtalaren står i läget för strömberedskap.
- 3 Gränsfrekvensreglage (HIGH CUT)**
Vrid på denna ratt för att ställa in önskad gränsfrekvens för höga frekvenser.
Alla frekvenser som är högre än den som valts med detta reglage skärs av (och matas inte ut).
- 4 Volymreglage (VOLUME)**
Vrid på denna ratt för att ställa in önskad volymnivå.
- 5 Huvudströmbrytare (POWER)**
Låt i normala fall denna strömbrytare stå i tillslaget läge ON. Ställ den i frånslaget läge OFF när högtalaren inte ska användas under en längre tid.
- 6 Omkopplare för beredskapsfunktion (AUTO STANDBY)**
Ställ denna omkopplare i önskat läge för in/urkoppling av automatisk beredskap. Låt omkopplaren i normala fall stå i läget LOW. Ställ omkopplaren i frånslaget läge OFF för att koppla ur automatisk beredskap.
* Ändra inställningen av denna omkopplare endast medan högtalaren är i läget för strömberedskap (genom att ställa omkopplaren **STANDBY/ON** i frånslaget läge OFF).

Automatisk Standby-funktion

När du börjar använda en programkälla sätts denna enhet på automatiskt, därför att den känner att ljudsignaler inmatas till apparaten. Den sätts automatiskt i beredskapsläge om den programkälla som avspelas stoppas eller om lågfrekventa ingångssignalen är avskuren i flera minuter.

Denna funktion arbetar genom att avkänna en viss inmatad ingångssignal med låg frekvens. Känsligheten är hög i **AUTO STANDBY**-omkopplarens HIGH-läge och den är låg i LOW-läget. I HIGH-läget slås strömmen till även om ingångssignalen är låg. Å andra sidan kanske beredskapsläget inte aktiveras när en insignal matas, även om dess nivå är mycket låg.

* Det kan hända att strömmen sätts på oväntat vid avkänning av störningar från annan utrustning. Om detta inträffar skall du sätta **AUTO STANDBY**-omkopplaren i läge OFF eller LOW.

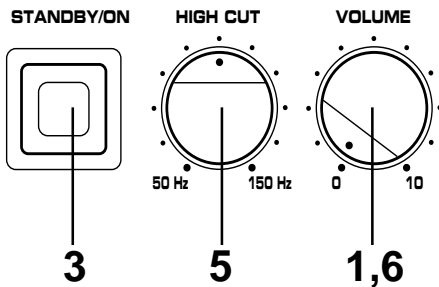
* Nivån för den låga frekvensens ingångssignal varierar för olika programkällor, och för varje enskild del för samma programkälla. Det kan därför hända att denna funktion inte arbetar korrekt för vissa programkällor.

Denna funktion kan endast användas när strömmen till apparaten har satts på (genom att trycka in omkopplaren STANDBY/ON 2 till ON-läge)

VOLYMINSTÄLLNINGAR

Inställningarna av gränshörsreglaget **HIGH CUT** och volymreglaget **VOLUME** kan behöva ändras något i enlighet med huvudhögtalarna, lyssningsförhållandet, ljudkällan o.s.v.

På frampanelen

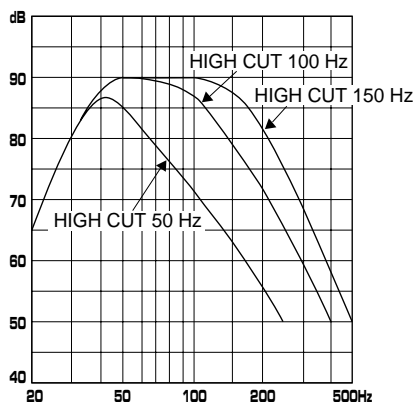


- 1 Ställ volymreglaget **VOLUME** i läget för minimal volymnivå (0).
- 2 Slå på övriga produkter.
- 3 Tryck på **STANDBY/ON** för att slå på subwooferhögtalaren.
- 4 Starta spelning på önskad ljudkälla och ställ in förstärkarens volymreglage i läget för önskad lyssningsnivå.
- 5 Ställ in gränshörsreglaget **HIGH CUT** i enlighet med anslutna huvudhögtalare.
Ställ i normala fall in reglaget på en frekvens som motsvarar huvudhögtalarnas beräknade, minimala återgivningsbara frekvens*. Ställ in reglaget på nytt, om önskad frekvenskurva inte kan erhållas.
* Huvudhögtalarnas beräknade, minimala återgivningsbara frekvens kan kontrolleras i högtalarnas katalog eller bruksanvisning.
- 6 Vrid upp volymreglaget **VOLUME** gradvis för att ställa in volymbalansen på en nivå där baseffekten blir något större än när subwooferhögtalaren inte används.
Ställ i normala fall in reglaget på en nivå som ger en något större baseffekt än när subwooferhögtalaren inte används.

Efter att volymbalansen mellan denna högtalare och huvudhögtalarna ställts in kan hela ljudanläggningens volym regleras med hjälp av endast förstärkarens volymreglage.

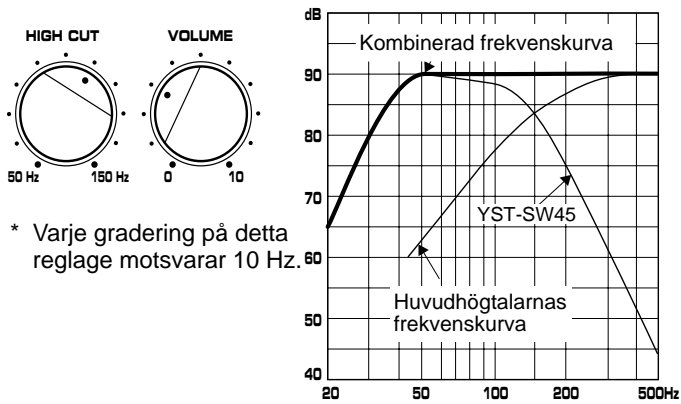
Frekvenskurva

Frekvenskaraktäristika för denna subwooferhögtalare

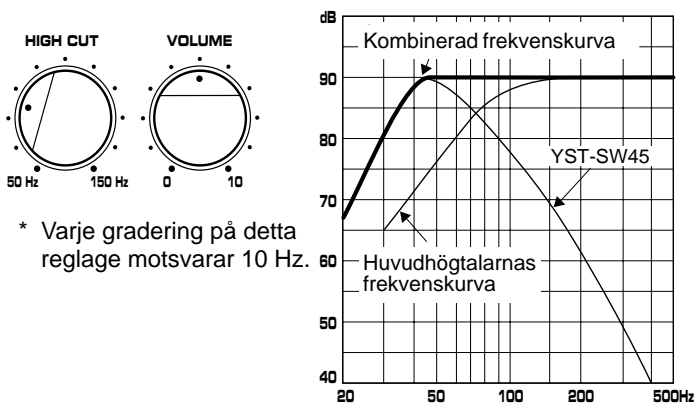


Siffrorna nedan visar optimal inställning av varje reglage samt frekvenskaraktäristika när denna subwoofershögtalare kombineras med typiska huvudhögtalare.

Ex.1 I kombination med 2-vägssystemets huvudhögtalare med 3 eller 4 tums (8 cm eller 10 cm) akustisk upphängning



Ex.2 I kombination med 2-vägssystemets huvudhögtalare med 5 tums (13 cm) akustisk upphängning



ADVANCED YAMAHA ACTIVE SERVO TECHNOLOGY

Principen för Yamaha Active Servo Technology baseras på två grundläggande tekniska fakta, nämligen Helmholtz resonator och drift med negativ impedans. Högtalare med Active Servo Processing återger basfrekvenserna genom ett s.k. luftbaselement, som egentligen är en liten port eller öppning i högtarlådan. Denna öppning används istället för baselementet i konventionella högtalare och fungerar på precis samma sätt.

Och enligt Helmholtz resonanst teori sänds de signaler med låg amplitud, som alstras i högtarlådan, ut genom denna öppning som signaler med hög amplitud, förutsatt att utförandet har gjorts så att förhållandet mellan öppningens storlek och högtarlådans volym är korrekt för att uppfylla kravet på viss kvot.

Utöver detta måste amplituden inom högtarlådan vara såväl exakt som tillräckligt hög för att besegra luftmotståndet i högtarlådan.

Problemen löses genom att utnyttja ett utförande som möjliggör förstärkarens funktion för att alstra signalerna ifråga.

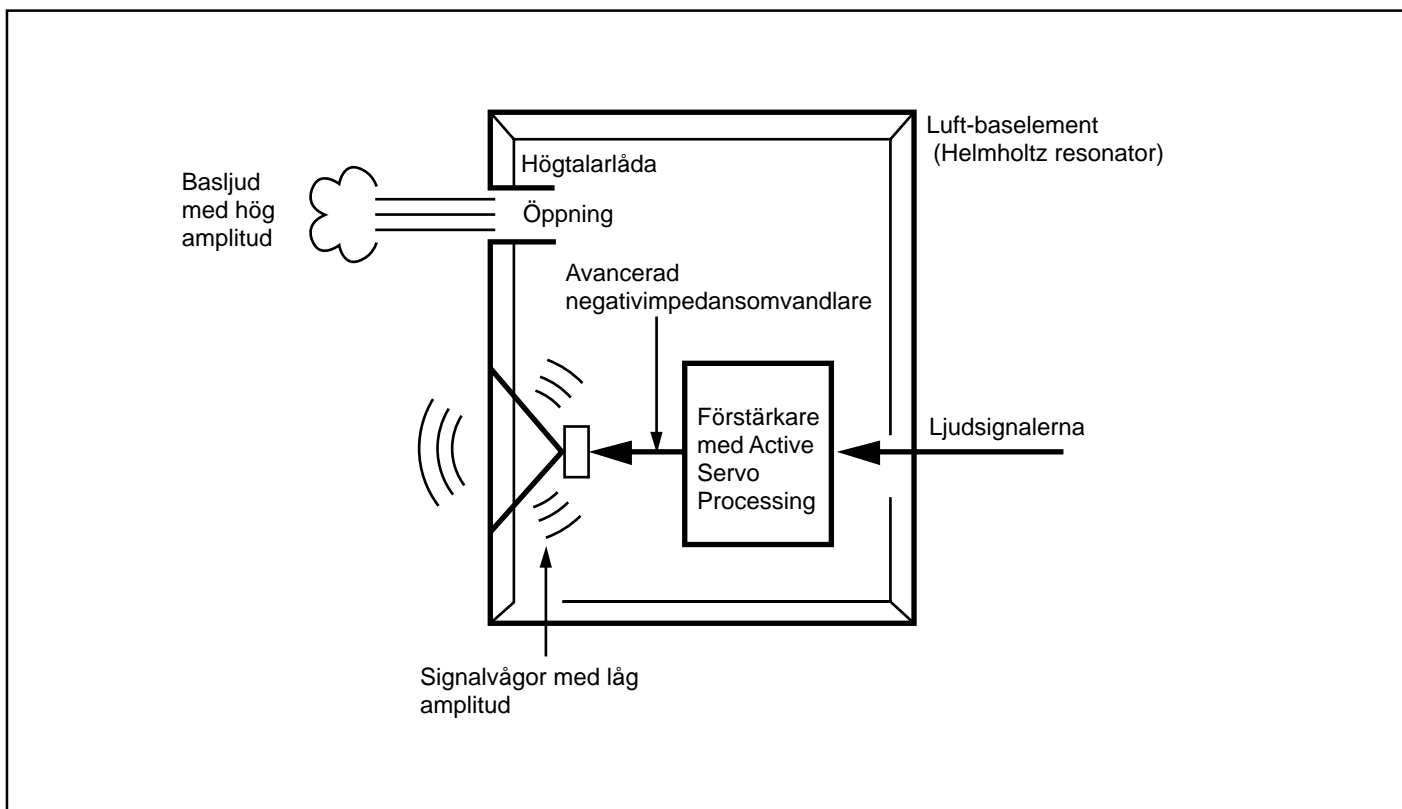
Om talspolens elektriska motstånd reduceras till noll skulle högtalarmembranets rörelser bli linjära i förhållande till signalens spänning. Och för att förverkliga detta utnyttjas ett speciellt utgående drivsteg med negativ impedans i slutsteget

för att subtrahera förstärkarens utimpedans.

Förstärkaren alstrar exakta, lågfrekventa vågor med låg amplitud och utomordentlig dämpkaraktär genom att utnyttja drivkretsar med negativ impedans. Dessa vågor strålar sedan ut via öppningen i högtarlådan som signaler med hög amplitud.

Tack vare att förstärkarens utgående drivsteg med negativ impedans och högtarlådan med Helmholtz resonator används, återger förstärkaren med detta utförande ljudet med mycket brett frekvensomfång och förvånande bra ljudkvalitet med låg distorsion. Det ovanstående beskriver grundläggande principerna för Yamahas konventionella Active Servo Technology.

I vår nya, aktiva servoteknik - Advanced Yamaha Active Servo Technology - ingår ANIC-kretsar (ANIC = avancerad negativimpedansomvandlare), vilket tillåter den konventionella negativimpedansomvandlaren att variera dynamiskt för att kunna välja ett optimalt värde för högtalarimpedansvariation. Med dessa nya ANIC-kretsar kan Yamahas avancerade servoteknik erbjuda en stabilare prestanda och förbättrat maximalt ljudtryck, i jämförelse med Yamahas konventionella aktiva servoteknik, vilket resulterar i naturligare och kraftfullare basåtergivning.



FELSÖKNING

Gå igenom följande felsökningstabell för att se om problemet kan rättas till med hjälp av föreslagna åtgärder, om subwooferhögtalaren inte tycks fungera som den ska. Koppla loss nätkabeln och kontakta YAMAHA:s auktoriserade återförsäljare eller serviceverkstad angående hjälp, om problemet inte kan lösas eller inte finns med i kolumnen SYMPTOM.

SYMPTOM	ORSAK	ÅTGÄRD
Strömmen kan inte slås på.	Nätkabeln är inte ansluten eller också står huvudströmbrytaren POWER i frånslaget läge OFF.	Anslut nätkontakten till ett nätuttag och/eller ställ huvudströmbrytaren POWER i tillslaget läge ON.
Inget ljud återges.	Volymreglaget VOLUME står i läget 0.	Vrid volymreglaget VOLUME medurs.
	Högtalarkablarna är inte ordentligt anslutna.	Anslut kablarna ordentligt.
Ljudnivån är för låg.	Högtalarkablarna är felaktigt anslutna.	Anslut kablarna till korrekta in/utgångar, L (vänster) till L, R (höger) till R, + till + och - till -.
	Ljudet som återges innehåller få basfrekvenser.	Spela upp ett källljud som innehåller basfrekvenser och/eller ställ in reglaget HIGH CUT i ett läge för högre gränsfrekvens.
	Ljudnivån påverkas av s.k. stående vågor.	Placera om subwooferhögtalaren eller bryt de parallella ytorna genom att placera bokhyllor e.dyl. längs väggarna.
Strömmen till högtalaren kopplas inte på automatiskt.	Huvudströmbrytaren POWER står i frånslaget läge OFF.	Ställ huvudströmbrytaren POWER i tillslaget läge ON.
	Omkopplaren STANDBY/ON står i frånslaget läge OFF.	Ställ omkopplaren STANDBY/ON i tillslaget läge ON.
	Omkopplaren AUTO STANDBY står i frånslaget läge OFF.	Ställ omkopplaren AUTO STANDBY i läget HIGH eller LOW.
	De ingående signalernas nivå är för låg.	Ställ omkopplaren AUTO STANDBY i läget HIGH.
Högtalaren slås oväntat av (i läget för strömbereidskap).	De ingående signalernas nivå är för låg.	Ställ omkopplaren AUTO STANDBY i läget HIGH.
Högtalaren slås oväntat på.	Högtalaren påverkas av brus som alstras från andra elektriska apparater etc.	Placera högtalaren på längre avstånd från störkällan och/eller dra om de anslutna högtalarkablarna. Ställ annars omkopplaren AUTO STANDBY i frånslaget läge OFF.

TEKNISKA DATA

Typ ... Subwooferhögtalarsystem med Active Servo Processing

Högtalarelement 1 st. koniska baselement (JA2162),
20 cm i diam., magnetiskt avskärmade

Förstärkarutefekt 70 W/5 ohm

Gränsfrekvensfilter 50–150 Hz (–24 dB/oktav)

Frekvensomfång 30–200 Hz (–10 dB)

Strömförsörjning

Modellerna till USA och Canada

..... 120 V nätspänning, 60 Hz

Modellen till Australien 240 V nätspänning, 50 Hz

Modellerna till Europa 230 V nätspänning, 50 Hz

Allmän modell och modellerna till Kina

..... 110/120/220/240 V nätspänning, 50/60 Hz
(ändras med nätspänningsväljaren)

Effektförbrukning 55 W

Mått (b × h × d) 235 mm × 365 mm × 318 mm

Vikt 9 kg

Medföljande Tillbehör Gummidynor

* Rätten till ändringar förbehållen.

AVVERTENZA: LEGGERE QUESTO PRIMA DI USARE L'APPARECCHIO.

1. Per ottenere il massimo delle prestazioni, si prega di leggere con attenzione questo manuale. Conservarlo in un luogo sicuro per riferimenti futuri.
2. Installare questo apparecchio in un luogo fresco, asciutto e pulito che sia lontano da finestre, fonti di calore, fonti di vibrazioni eccessive, polvere, umidità e freddo. Evitare fonti di ronzio (trasformatori, motori). Per evitare incendi o scosse elettriche, non esporre l'apparecchio alla pioggia o all'acqua.
3. Non aprire mai il rivestimento. Se qualcosa cade nell'apparecchio, contattare il proprio rivenditore.
4. Non applicare forza a interruttori, comandi o fili di collegamento. Quando si sposta l'apparecchio, scollegare prima la spina del cavo di alimentazione e i fili collegati ad altri apparecchi. Non tirare mai i fili.
5. Non tentare di pulire l'apparecchio con solventi chimici; possono danneggiare la finitura. Usare un panno pulito asciutto.
6. Assicursi di leggere la sezione "DIAGNOSTICA" sugli errori di impiego più comuni prima di concludere che l'apparecchio sia guasto.
7. Se non si usa questo apparecchio per un lungo periodo (p.es. vacanze, ecc.), scollegare la spina del cavo di alimentazione CA dalla presa di corrente.
8. Per evitare danni dovuti a fulmini, scollegare la spina del cavo di alimentazione CA quando ci sono temporali.
9. Poiché questo apparecchio dispone di un amplificatore di potenza incorporato, il pannello posteriore emette calore. Collocare quindi questo apparecchio staccato dalle pareti, lasciando uno spazio sufficiente sopra, dietro e sui lati dell'apparecchio in modo da prevenire incendi e danni. Inoltre non posizionarlo con il pannello posteriore rivolto in basso sul pavimento o altre superfici.
<Solo modelli per Regno Unito e Europa>
Assicursi di lasciare uno spazio di almeno 20 cm sopra, dietro e sui lati dell'apparecchio.
10. Le frequenze di superbassi prodotte da questo apparecchio possono causare la produzione di ululati da un giradischi. In questo caso, allontanare questo apparecchio dal giradischi.
11. Le vibrazioni generate dalle frequenze di superbassi possono causare una distorsione dell'immagine su un televisore. In questo caso, allontanare questo apparecchio dal televisore.
12. Questo apparecchio è dotato di schermatura magnetica, ma esiste comunque la possibilità che quando è collocato troppo vicino ad un televisore influisca negativamente sul colore dell'immagine. In questo caso, allontanare questo apparecchio dal televisore.
13. Se si sente distorsione (cioè suoni "picchiettanti" o "martellanti" anomali e intermittenti) da questo apparecchio, ridurre il livello del volume. La riproduzione a volume eccessivamente alto dei suoni a bassa frequenza, ricchi di bassi, della colonna sonora di un film o di passaggi di musica popolare ugualmente rumorosi può danneggiare questo sistema altoparlanti.
14. **Selettore di tensione (solo modelli generale e per la Cina)**
Il selettore di tensione sul pannello posteriore di questo apparecchio deve essere regolato sulla tensione della rete elettrica locale PRIMA di collegare l'apparecchio alla presa di corrente.
Le tensioni sono 110/120/220/240 V CA, 50/60 Hz.
15. **Una collocazione o installazione sicura è responsabilità del proprietario.**
YAMAHA non sarà responsabile per qualsiasi incidente causato da una collocazione o installazione impropria degli altoparlanti.

IMPORTANTE

Si prega di registrare il numero di serie di questo apparecchio nello spazio sotto.

Numero di serie:

Il numero di serie si trova sul retro dell'apparecchio. Conservare questo Manuale di istruzioni in un luogo sicuro per riferimenti futuri.

ATTENZIONE

PER EVITARE IL RISCHIO DI INCENDI O SCOSSE ELETTRICHE, NON ESPORRE QUESTO APPARECCHIO ALLA PIOGGIA O ALL'UMIDITÀ.

INDICE

Avvertenza	42
Caratteristiche	43
Collocazione	43
Collegamenti	44
Comandi e loro funzioni	47

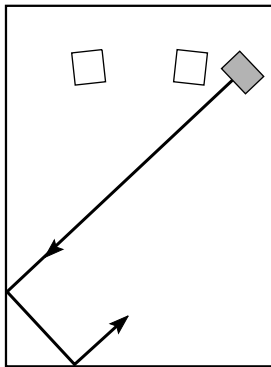
Regolazione del volume	48
Advanced YAMAHA Active Servo Technology	50
Diagnostica	51
Dati tecnici	51

CARATTERISTICHE

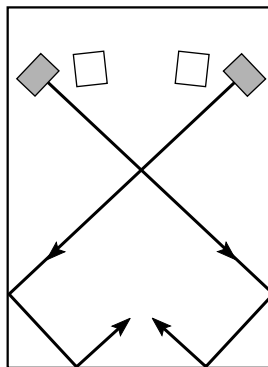
- Questo sistema subwoofer (altoparlante per superbassi) impiega Advanced YAMAHA Active Servo Technology sviluppata da YAMAHA per riprodurre un suono dei superbassi di qualità superiore. (Fare riferimento a pagina 50 per dettagli sulla Advanced YAMAHA Active Servo Technology.). Questo suono dei superbassi aggiunge un effetto più realistico da cinema in casa al sistema stereo.
- Questo apparecchio può essere aggiunto facilmente al sistema audio esistente collegandolo ai terminali per gli altoparlanti o ai terminali di uscita in linea (presa a spina) dell'amplificatore.
- Per un uso efficace di questo apparecchio, il suono dei superbassi di questo altoparlante deve essere adeguato ai suoni degli altoparlanti principali. Si può creare la qualità sonora migliore per varie condizioni di ascolto usando il comando **HIGH CUT**.
- La funzione di attesa automatica elimina il fastidio di dover premere i tasto **STANDBY/ON** per accendere e spegnere l'altoparlante.

COLLOCAZIONE

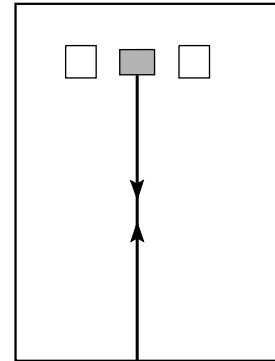
A



B



C



(■ : subwoofer, □ : altoparlante principale)

Un subwoofer ha un buon effetto sul sistema audio, ma si consiglia l'uso di due subwoofer per ottenere una presenza migliore.

Se si fa uso di un solo subwoofer, si consiglia di collocarlo all'esterno dell'altoparlante principale destro o sinistro. (Vedere la fig. A.)

Se si usano due subwoofer, consigliamo di collocarli all'esterno di ciascuno degli altoparlanti principali. (Vedere la fig. B.) Si può anche usare il posizionamento mostrato nella fig. C, ma se il sistema subwoofer viene collocato rivolto direttamente verso la parete, l'effetto bassi può scomparire perché il suono emesso dal subwoofer e quello riflesso dalla parete si cancellano a vicenda. Per evitare che questo accada, orientare il subwoofer obliquamente rispetto alla parete come mostrato nelle fig. A o B.

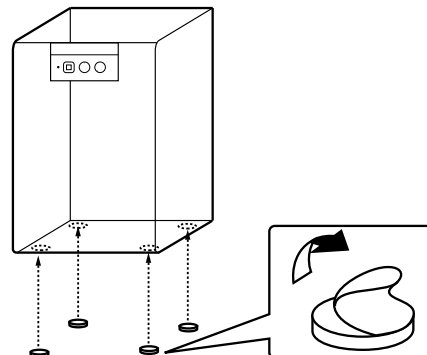
Nota

In alcuni casi può essere impossibile ottenere un suono sufficiente dei superbassi da questo apparecchio quando si ascolta in mezzo alla stanza. Questo è dovuto a "onde

stazionarie" che si sviluppano tra due pareti parallele e alla cancellazione del suono dei bassi. In questo caso, orientare l'apparecchio obliquamente rispetto alla parete. Può anche essere necessario eliminare il parallelismo delle superfici collocando scaffali, ecc. lungo le pareti.

Uso dei piedini di gomma

Posizionare ai quattro angoli della parte inferiore del subwoofer i piedini di gomma forniti, per evitare che il subwoofer possa spostarsi a causa di vibrazioni, o altro.



COLLEGAMENTI

Non collegare mai il subwoofer e gli altri componenti audio/video alla presa di corrente finché non si sono completati tutti gli altri collegamenti.

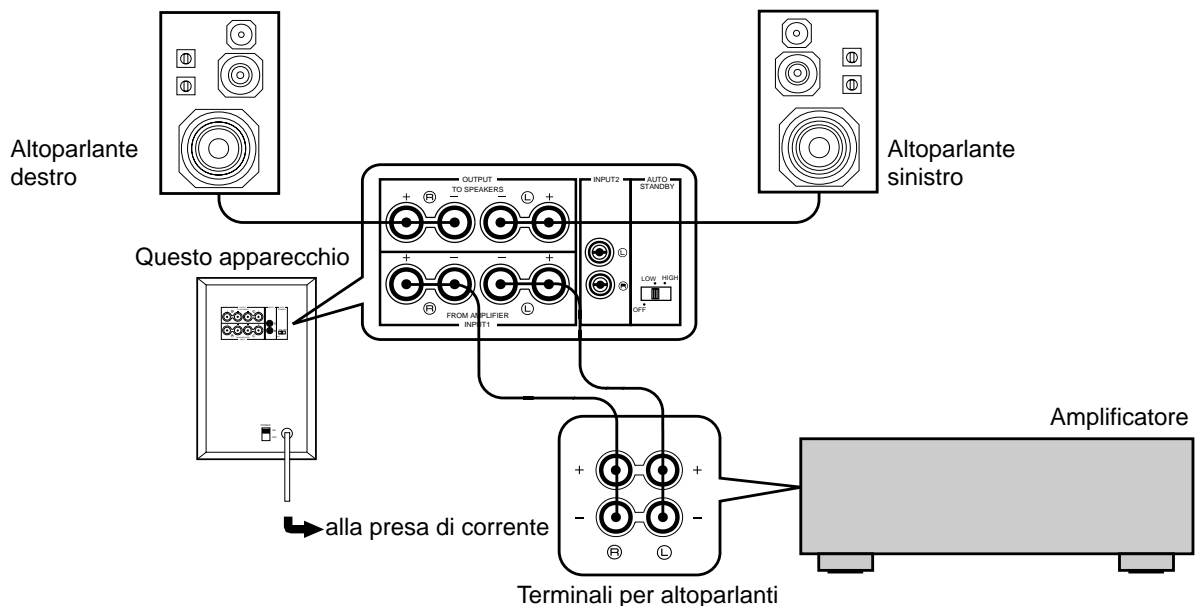
- Quando si eseguono collegamenti tra questo apparecchio e altri componenti, assicurarsi che tutti i collegamenti siano eseguiti saldamente e correttamente; L (sinistra) a L, R (destra) a R, + a + e - a -.
- Questo apparecchio può essere collegato ai terminali per altoparlanti o ai terminali di uscita in linea (prese a spina) dell'amplificatore. Scegliere uno dei collegamenti mostrati sotto in base al sistema audio usato. Fare riferimento anche al manuale di istruzioni del sistema audio.

COLLEGAMENTO AI TERMINALI PER ALTOPARLANTI DELL'AMPLIFICATORE

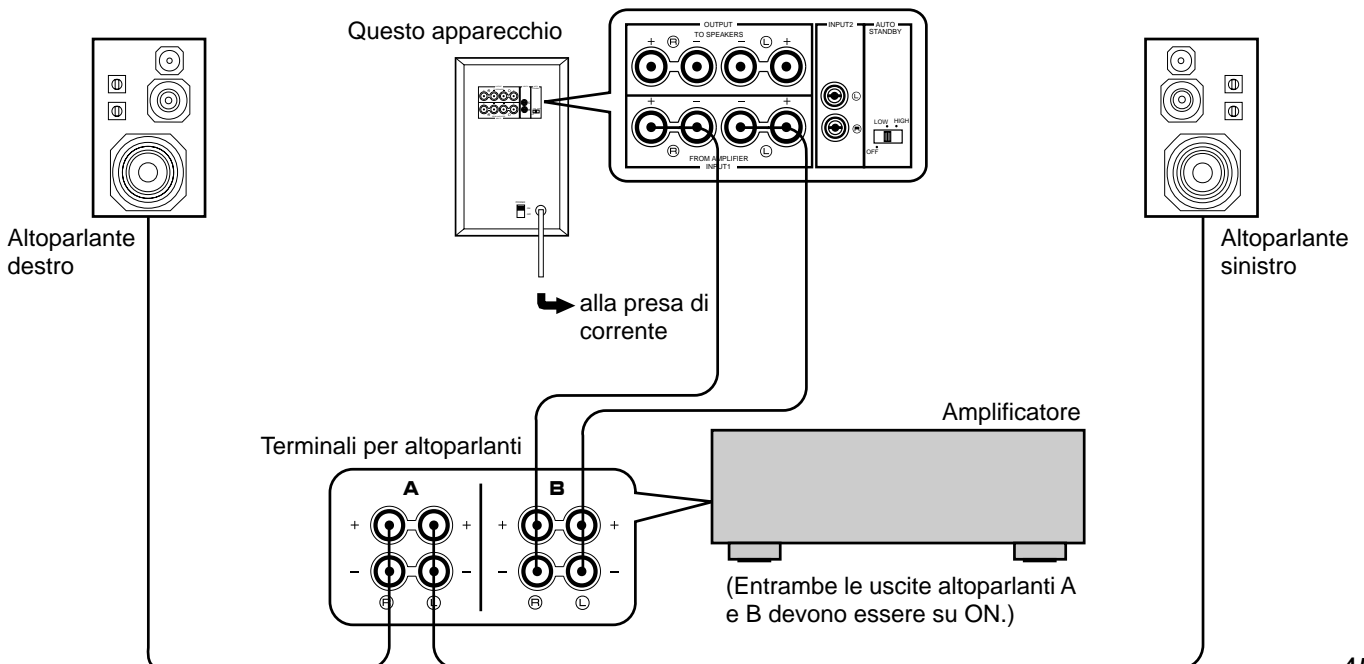
Se si usa un solo apparecchio

Quando l'amplificatore dispone di un solo gruppo di terminali per altoparlanti

- Scollegare gli altoparlanti principali dall'amplificatore se sono collegati e collegarli ai terminali per altoparlanti di questo apparecchio.

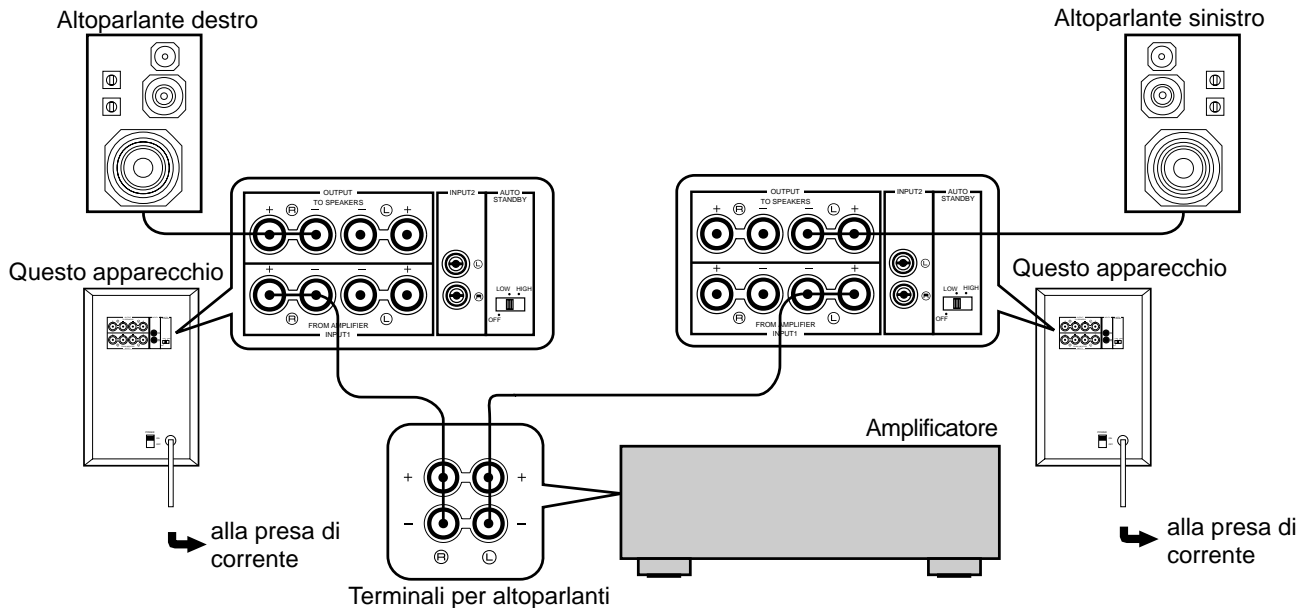


Quando l'amplificatore ha due gruppi di terminali per altoparlanti



Se si usano due apparecchi

Scollegare gli altoparlanti principali dall'amplificatore se sono collegati e collegarli ai terminali per altoparlanti di questo apparecchio.



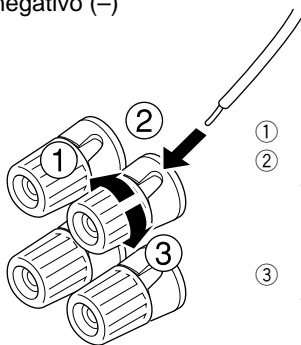
Collegamento ai terminali OUTPUT/INPUT di questo apparecchio

Per i collegamenti, tenere i fili altoparlante il più corti possibile. (Tagliare via il filo in eccesso se necessario.) Se i collegamenti sono difettosi non sarà udibile alcun suono dagli altoparlanti. Assicurarsi che la polarità dei fili altoparlanti sia corretta, osservando i segni + e -. Se questi fili sono invertiti, il suono sarà innaturale e privo di bassi.

Non lasciare che i conduttori dei fili altoparlanti entrino in contatto tra loro o tocchino parti metalliche di questo apparecchio perché questo potrebbe danneggiare questo apparecchio, l'amplificatore e/o gli altoparlanti.

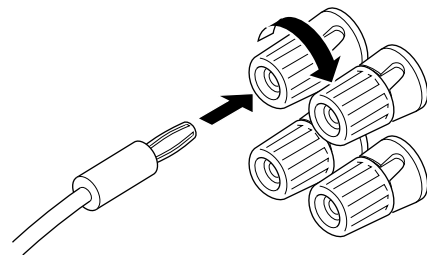
Come collegare:

Rosso: positivo (+)
Nero: negativo (-)



- ① Svitare la manopola.
- ② Inserire il conduttore del filo. (Rimuovere circa 5 mm di isolante dal filo altoparlante.)
- ③ Serrare la manopola per fissare saldamente il filo.

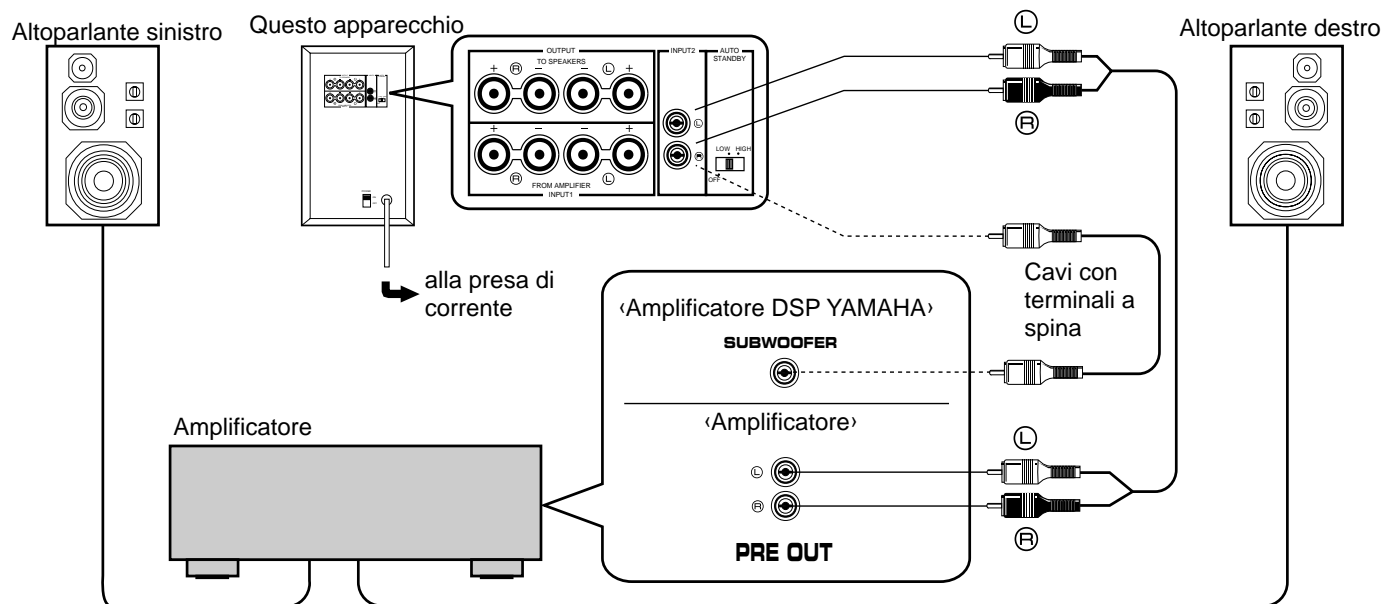
* Sono possibili collegamenti con spina unipolare (banana) (tranne i modelli per Regno Unito e Europa). Basta inserire il connettore a spina unipolare nel terminale corrispondente.



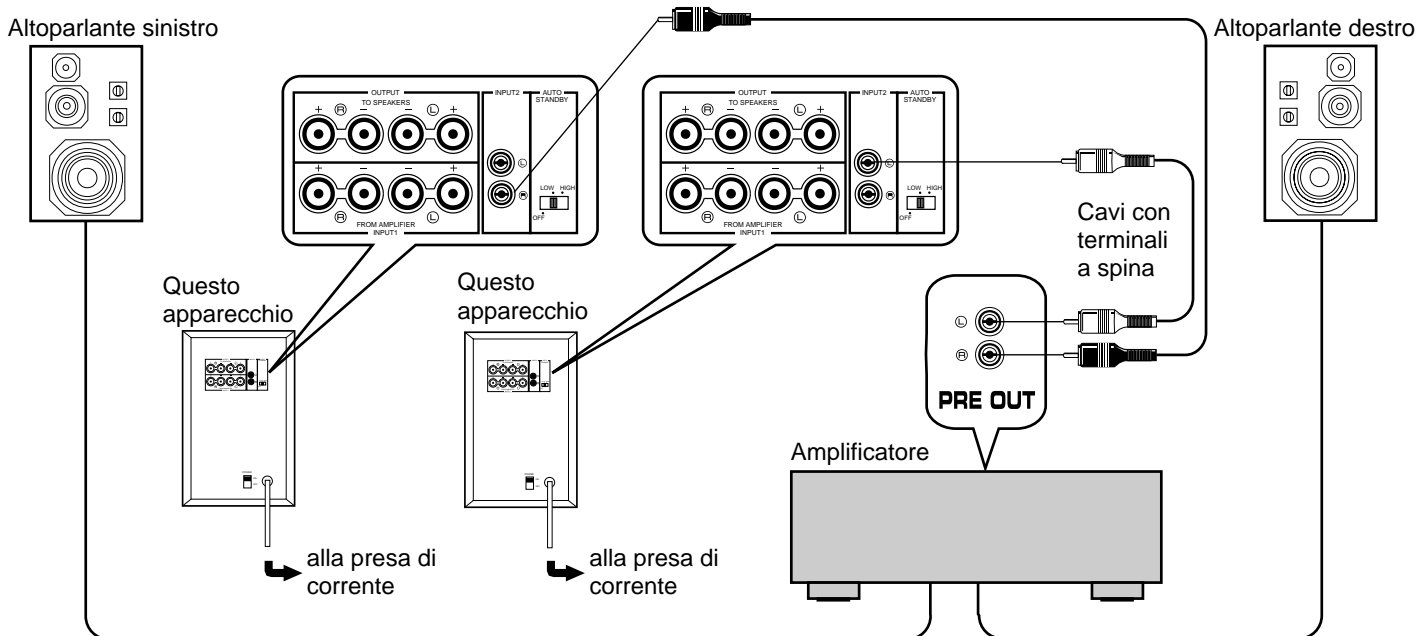
COLLEGAMENTO AI TERMINALI DI USCITA IN LINEA (PRESE A SPINA) DELL'AMPLIFICATORE

- Collegare gli altoparlanti principali ai terminali di uscita altoparlanti dell'amplificatore.
- I terminali di uscita in linea degli amplificatori sono generalmente chiamati PRE OUT o SUBWOOFER OUT.
- Per collegare ad un amplificatore DSP YAMAHA, collegare il terminale SUBWOOFER (o LOW PASS, ecc.) sul retro dell'amplificatore DSP al terminale INPUT 2 sinistro (L) o destro (R).

Se si usa un solo apparecchio



Se si usano due apparecchi

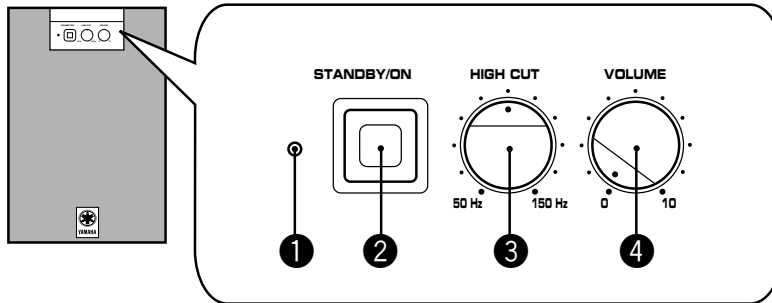


Note sui collegamenti mostrati sopra

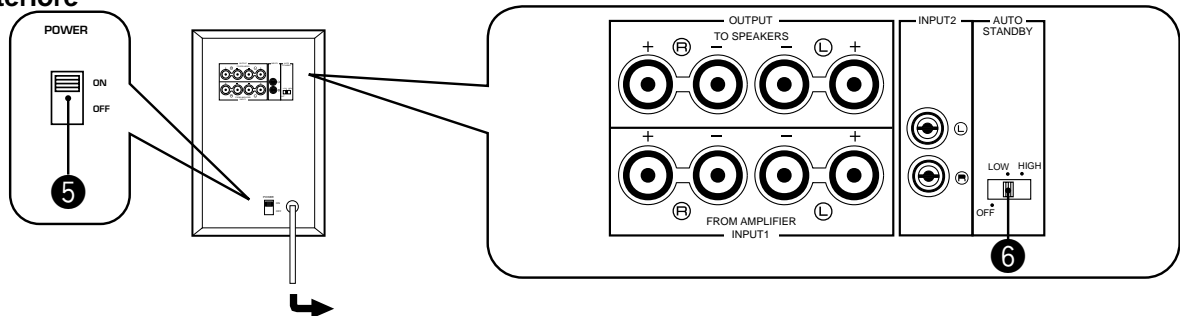
- Quando si esegue il collegamento ai terminali di uscita in linea dell'amplificatore, gli altri altoparlanti non devono essere collegati ai terminali OUTPUT sul pannello posteriore del subwoofer. Se sono collegati non producono alcun suono.
- Quando si collega questo apparecchio al terminale di uscita monofonica di un amplificatore collegarlo al terminale INPUT 2 sinistro o destro.
- Per usare un amplificatore di potenza ed un preamplificatore, il preamplificatore deve avere due gruppi di terminali PRE OUT. Se il preamplificatore ha un solo gruppo di terminali PRE OUT, collegare questo apparecchio ai terminali per altoparlanti. (Vedere pagina 44.)

COMANDI E LORO FUNZIONI

Pannello anteriore



Pannello posteriore



- 1** Indicatore di **Power**
Si illumina quando questo apparecchio è acceso.
* Se l'interruttore **AUTO STANDBY** sul pannello posteriore è regolato sulla posizione **LOW** o **HIGH**, questo indicatore si illumina fiocamente quando non è in ingresso alcun segnale a questo apparecchio.
- 2** Tasto di attesa/accensione (**STANDBY/ON**)
A ciascuna pressione di questo tasto l'apparecchio si accende e si spegne (modo di attesa). Una piccola quantità di corrente viene sempre consumata anche mentre l'apparecchio è in modo di attesa.
- 3** Comando di taglio alti (**HIGH CUT**)
Regola il punto di taglio delle alte frequenze.
Le frequenze superiori alla frequenza selezionata con questo comando sono tutte tagliate (e non emesse).
- 4** Comando di volume (**VOLUME**)
Regola il livello del volume.
- 5** Interruttore di alimentazione principale (**POWER**)
Normalmente lasciare questo interruttore sulla posizione **ON**. Quando non si usa questo apparecchio per un lungo periodo regolare questo interruttore sulla posizione **OFF**.
- 6** Interruttore di attesa automatica (**AUTO STANDBY**)
Con questo interruttore si può attivare la funzione di attesa automatica. Normalmente regolare l'interruttore sulla posizione **LOW**. Per disattivare questa funzione, regolare l'interruttore sulla posizione **OFF**.
* Cambiare l'impostazione di questo interruttore solo quando questo apparecchio è in modo di attesa (regolando il tasto **STANDBY/ON** su **OFF**).

Funzione di attesa automatica

A funzione inserita, riproducendo una sorgente l'apparecchio si attiva automaticamente non appena percepisce dei segnali audio in ingresso. L'apparecchio passa automaticamente alla modalità di attesa se la riproduzione della sorgente viene interrotta, o se il segnale in ingresso si interrompe per alcuni minuti. La funzione opera in risposta ad un segnale in ingresso a bassa frequenza in ingresso di un certo livello. La sensibilità dell'apparecchio è alta se l'interruttore **AUTO STANDBY** si trova sulla posizione **HIGH**, e bassa se sulla posizione **LOW**. Se si sceglie la posizione **HIGH**, l'apparecchio si accende anche ad un livello del segnale di ingresso molto basso, ma, d'altro canto, l'apparecchio potrebbe non ritornare alla posizione di attesa sin tanto che rimane presente un segnale di ingresso, anche se estremamente basso.

* In certi casi l'apparecchio può accendersi inaspettatamente, percependo segnali in interferenza provenienti da altre apparecchiature elettriche. Ove si ritenga possibile il verificarsi di tali situazioni, portare l'interruttore **AUTO STANDBY** sulla posizione **OFF** o **LOW**.

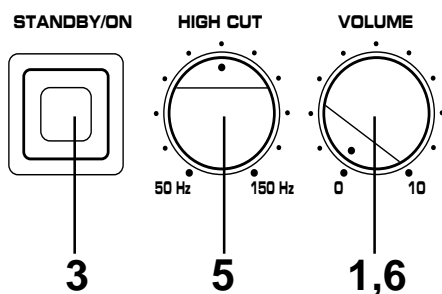
* Il livello del segnale a bassa frequenza in ingresso differisce a seconda della sorgente, ed a seconda di ogni singola parte della stessa sorgente. Pertanto, per certi tipi di sorgenti, questa funzione potrebbe non operare correttamente.

Questa funzione è disponibile solamente se l'apparecchio è acceso (cioè con il tasto STANDBY/ON 2 su ON).

REGOLAZIONE DEL VOLUME

La regolazione del comando **HIGH CUT** e del comando **VOLUME** può necessitare modifiche secondo gli altoparlanti principali, le condizioni di ascolto, la fonte, ecc.

Pannello anteriore

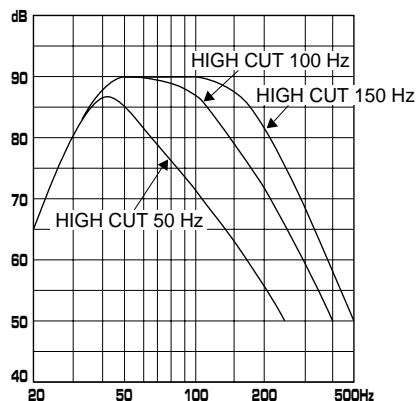


- 1 Regolare il comando **VOLUME** sul minimo (0).
- 2 Accendere gli altri componenti.
- 3 Premere il tasto **STANDBY/ON** per accendere questo apparecchio.
- 4 Riprodurre una fonte qualsiasi e regolare il comando di volume dell'amplificatore sul livello di ascolto desiderato.
- 5 Regolare il comando **HIGH CUT** secondo gli altoparlanti principali collegati.
Normalmente, regolare il comando sulla frequenza minima riproducibile nominale* degli altoparlanti principali. Riprodurre una fonte qualsiasi e regolare il comando di volume dell'amplificatore sul livello di ascolto desiderato. Se non si riesce ad ottenere la risposta desiderata, regolare di nuovo il comando come preferito.
* La frequenza minima riproducibile nominale degli altoparlanti principali può essere reperita nel catalogo o nel manuale degli altoparlanti.
- 6 Alzare gradualmente il comando **VOLUME** per regolare il bilanciamento di volume tra questo apparecchio e gli altoparlanti principali.
Normalmente, regolare il comando sul livello che permette di ottenere un effetto dei bassi leggermente maggiore di quando non si usa questo apparecchio.
Se non si riesce ad ottenere la risposta desiderata, regolare di nuovo il comando come preferito.

Una volta che il bilanciamento del volume tra questo apparecchio e gli altoparlanti principali è stato regolato, si può regolare il volume dell'intero sistema sonoro usando solo il comando di volume dell'amplificatore.

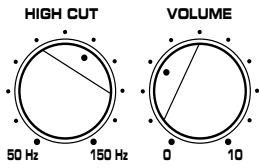
RISPOSTA IN FREQUENZA

Caratteristiche di frequenza di questo apparecchio

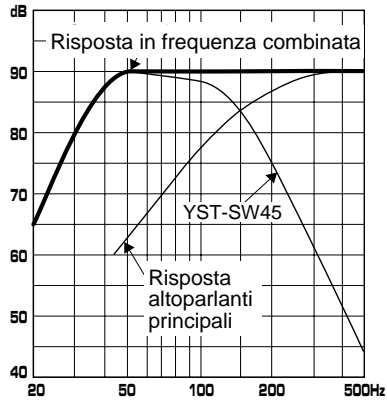


Le cifre sotto indicano le regolazioni ottimali di ciascun comando e le caratteristiche di frequenza quando questo apparecchio è combinato con un sistema altoparlanti tipico.

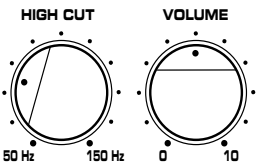
**ES.1 In combinazione con un sistema altoparlanti principali a 2 vie,
con sospensione acustica di 3" o 4" (8 cm o 10 cm)**



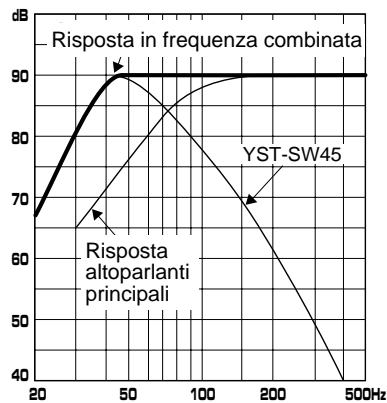
* Una graduazione di questo comando rappresenta 10 Hz.



**ES.2 In combinazione con un sistema a 2 vie,
con sospensione acustica di 5" (13 cm)**



* Una graduazione di questo comando rappresenta 10 Hz.



ADVANCED YAMAHA ACTIVE SERVO TECHNOLOGY

La teoria del sistema Yamaha Active Servo Technology (servotecnologia attiva) si basa su due fattori principali, il risonatore di Helmholtz e il drive a impedenza negativa. Gli altoparlanti Active Servo Processing (a servoelaborazione attiva) riproducono le basse frequenze tramite un "woofer ad aria", che è una piccola porta o apertura nel rivestimento degli altoparlanti. Questa apertura viene usata al posto del woofer ed esegue le funzioni di un woofer in un sistema altoparlanti convenzionale. Così, i segnali di bassa ampiezza all'interno del rivestimento possono, secondo la teoria della risonanza di Helmholtz, essere emessi da questa apertura come onde di ampiezza maggiore se il disegno del rivestimento è tale che le dimensioni dell'apertura e il volume del rivestimento siano nella proporzione corretta per soddisfare un certo rapporto. A questo scopo, inoltre, le ampiezze all'interno del rivestimento devono essere precise e di potenza sufficiente perché esse devono superare il "carico" presentato dall'aria esistente all'interno del rivestimento.

Così questo problema viene risolto attraverso l'impiego di un design in cui l'amplificatore funziona per fornire i segnali.

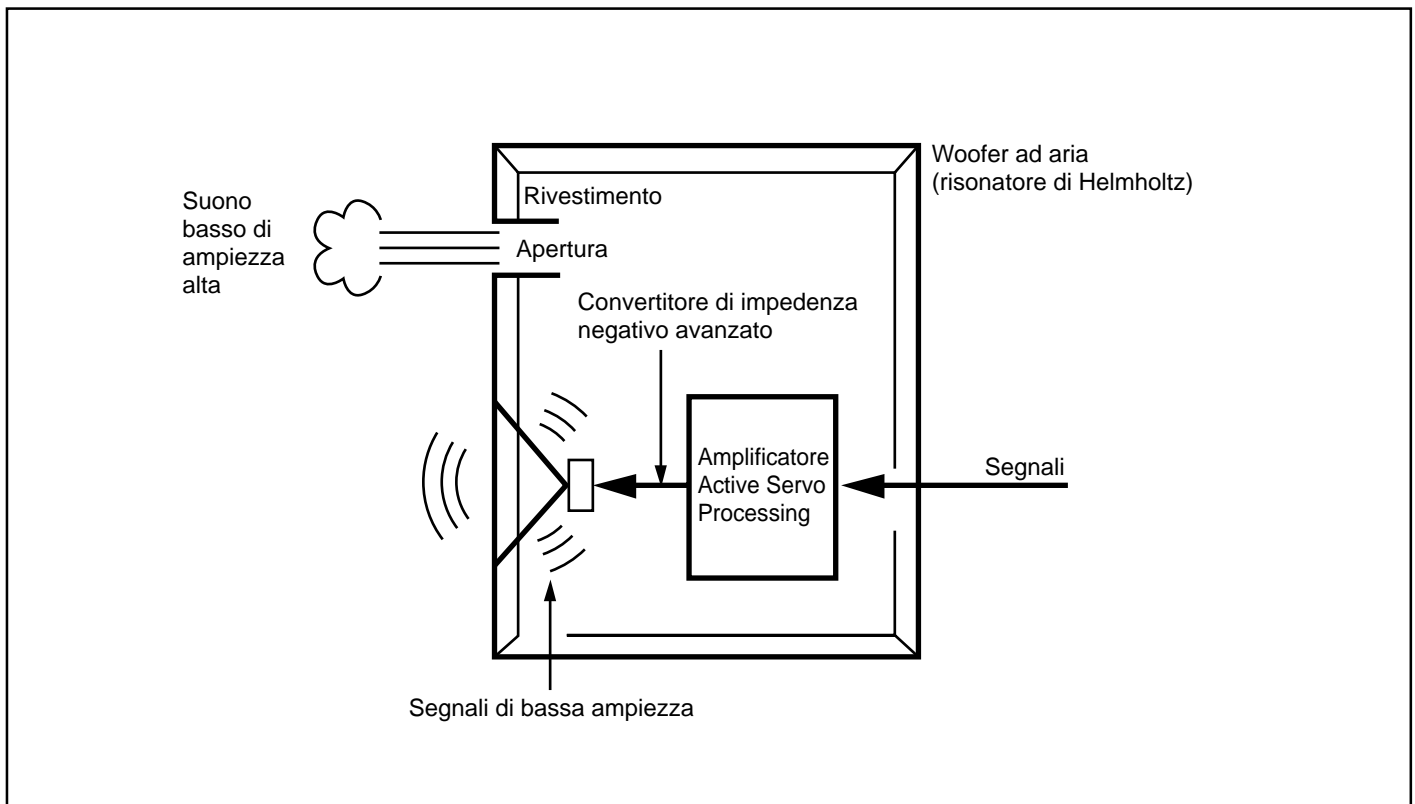
Se la resistenza elettrica della bobina di altoparlante è ridotta a zero, il movimento dell'altoparlanti diventa lineare rispetto alla tensione di segnale e, per compiere ciò, viene usato un amplificatore speciale con drive di uscita a impedenza negativa per sottrarre l'impedenza di uscita dell'amplificatore.

Impiegando circuiti di drive a impedenza negativa, l'amplificatore è in grado di generare onde di bassa frequenza e bassa ampiezza precise con caratteristiche di smorzamento superiori, e queste onde vengono poi irradiate dall'apertura del rivestimento come segnali ad alta ampiezza.

Il sistema può, di conseguenza, impiegando un amplificatore con drive di uscita a impedenza negativa e un rivestimento degli altoparlanti con risonatore di Helmholtz, riprodurre una gamma di frequenze estremamente ampia, con una sorprendente qualità sonora e una minore distorsione.

Le caratteristiche descritte sopra, quindi, sono combinate per costituire la struttura fondamentale del sistema Yamaha convenzionale Active Servo Technology.

La nuova servotecnologia attiva - Advanced Yamaha Active Servo Technology - adotta circuiti a convertitore di impedenza negativa avanzato (ANIC), che permettono al convertitore convenzionale di impedenza negativa di variare dinamicamente per poter selezionare un valore ottimale per la variazione di impedenza diffusori. Con questi nuovi circuiti ANIC, la servotecnologia attiva avanzata Yamaha può fornire prestazioni più stabili e una pressione sonora massima migliore rispetto alla servotecnologia attiva Yamaha convenzionale, per una riproduzione dei bassi più naturale ed energica.



DIAGNOSTICA

Se l'apparecchio non funziona normalmente, controllare i seguenti punti per stabilire se il problema può essere risolto facilmente con i rimedi suggeriti. Se non si può rimediare, o se il problema non è elencato nella colonna SINTOMO, scollegare il cavo di alimentazione e contattare il proprio rivenditore o centro assistenza YAMAHA autorizzato per assistenza.

SINTOMO	CAUSA	RIMEDIO
Non è possibile accendere.	Il cavo di alimentazione non è collegato, o l'interruttore POWER principale è regolato sulla posizione OFF.	Collegare il cavo di alimentazione ad una presa di corrente e/o regolare l'interruttore POWER principale sulla posizione ON.
Nessun suono.	Il comando VOLUME è regolato su 0.	Girare il comando VOLUME verso destra.
	I fili altoparlante non sono collegati saldamente.	Collegarli saldamente.
Suono di livello troppo basso.	I fili altoparlante non sono collegati correttamente.	Collegarli correttamente. L (sinistra) a L, R (destra) a R, + a + e - a -.
	Si sta riproducendo un suono di fonte con poche basse frequenze.	Riprodurre un suono di fonte con frequenze dei bassi. Regolare il comando HIGH CUT su una posizione più alta.
	Influenza di onde stazionarie.	Spostare il subwoofer o eliminare il parallelismo delle superfici collocando scaffali, ecc. lungo le pareti.
L'apparecchio non si accende automaticamente.	L'interruttore POWER principale è regolato sulla posizione OFF.	Regolare l'interruttore POWER principale sulla posizione ON.
	Il tasto STANDBY/ON è regolato su OFF.	Regolare il tasto STANDBY/ON su ON.
	L'interruttore AUTO STANDBY è regolato sulla posizione OFF.	Regolare l'interruttore AUTO STANDBY sulla posizione HIGH o LOW.
	Il livello del segnale in ingresso è troppo basso.	Regolare l'interruttore AUTO STANDBY sulla posizione HIGH.
L'apparecchio si spegne (modo di attesa) improvvisamente.	Il livello del segnale in ingresso è troppo basso.	Regolare l'interruttore AUTO STANDBY sulla posizione HIGH.
L'apparecchio si accende improvvisamente.	Influenza di rumori generati da apparecchi esterni, ecc.	Allontanare maggiormente l'apparecchio da tali apparecchi e/o cambiare le posizioni dei fili altoparlanti collegati. Oppure regolare l'interruttore AUTO STANDBY sulla posizione OFF.

DATI TECNICI

Tipo Altoparlante per superbassi Active Servo Processing
Altoparlante Woofer conico da 20 cm (JA2162)
 a schermatura magnetica x 1

Uscita amplificatore 70 W/5 ohm

Filtro tagliaalto 50 Hz-150 Hz (-24 dB/ott.)

Risposta in frequenza 30 Hz-200 Hz (-10 dB)

Alimentazione

Modelli per USA e Canada 120 V CA, 60 Hz

Modello per Australia 240 V CA, 50 Hz

Modelli per Regno Unito e Europa 230 V CA, 50 Hz

Modello generale e per la China .. 110/120/220/240 V CA,
 50/60 Hz (regolabile con selettore di tensione)

Consumo 55 W

Dimensioni (L x A x P) 235 mm x 365 mm x 318 mm

Peso 9 kg

Accessorio in Dotazion Piedini di gomma

* Design e dati tecnici sono soggetti a modifiche senza preavviso.

PRECAUCION: LEER ESTE MANUAL DE INSTRUCCIONES ANTES DE PONER EN FUNCIONAMIENTO EL APARATO.

1. Leer cuidadosamente este manual para obtener el mejor rendimiento posible. Mantenerlo en un lugar seguro para utilizarlo como referencia en el futuro.
2. Instalar el aparato en un lugar fresco, seco y limpio, alejado de ventanas, aparatos que produzcan calor, lugares con muchas vibraciones, polvo, humedad o frío. Evitar aparatos que causen ruidos de zumbido (transformadores y motores). Para evitar incendios o descargas eléctricas, no exponer este aparato a la lluvia ni al agua.
3. No abrir nunca la caja. Si se introdujese algún objeto extraño en el interior del aparato, ponerse en contacto con su concesionario más cercano.
4. No utilizar a la fuerza los conmutadores, controles o cables. Cuando tenga que mover el aparato, cerciorarse de desenchufar primero el enchufe del cable de la alimentación y los cables que conectan al aparato con otros equipos. No tirar nunca del propio cable.
5. No limpiar este aparato con disolventes químicos porque podría dañarse el acabado. Utilizar para la limpieza un paño limpio y seco.
6. No dejar de leer la sección "LOCALIZACION DE AVERIAS" donde se dan consejos sobre los errores de utilización antes de llegar a la conclusión de que su aparato está averiado.
7. Cuando no se va a usar el aparato por un largo tiempo (ej. vacaciones, etc.) desconectar el enchufe de alimentación de CA del tomacorriente.
8. Para evitar daños debidos a relámpagos, desenchufar el cable de la alimentación y desconectar la antena durante tormentas eléctricas.
9. Este sistema irradia calor por el panel trasero debido a que tiene un amplificador de potencia incorporado. Por lo tanto, coloque la unidad separada de paredes, dejando espacio sobre, detrás, y ambos lados de la misma. Tampoco, se debe colocar con el panel trasero contra el piso o apoyado sobre cualquier otra superficie.
<Para los modelos para el Reino Unido y Europa solamente>
Cerciorarse de dejar un espacio de 20 cm por lo menos sobre, detrás, y a ambos lados del aparato.
10. Las frecuencias de ultr Graves generadas por este sistema pueden hacer que el tocadiscos emita aullidos. En este caso, alejar el sistema del tocadiscos.
11. La vibración generada por las frecuencias de ultr Graves pueden causar la distorsión de las imágenes de un televisor. En este caso, alejar el sistema del televisor.
12. Este sistema tiene un blindaje magnético, pero existe la posibilidad que si se coloca demasiado cerca de un televisor las imágenes se pueden distorsionar. Si esto sucede, el sistema se debe alejar del televisor.
13. Si se escuchan distorsiones (ej. sonidos raros, "golpeteos" o "martilleos" intermitentes) provenientes del aparato, bajar el nivel del volumen. Si se reproducen con el volumen alto pistas de sonido de películas de baja frecuencia, sonidos con bajos fuertes o música de similares características se podría dañar el sistema de altavoces.
14. **Selector de voltaje (Modelos General y para China solamente)**
El selector de voltaje del panel trasero debe fijarse de acuerdo con el voltaje local ANTES de conectar el aparato al tomacorriente de CA.
La selección de voltajes es para CA de 110/120/220/240V, 50/60 Hz.
15. **El usuario es el responsable la ubicación o la instalación seguras.**
YAMAHA no se hará responsable por ningún accidente causado por la ubicación o la instalación inapropiada de los altavoces.

IMPORTANTE

Anotar por favor el número de serie de su aparato en el espacio de abajo.

Núm. de serie:

El número de serie está situado en la parte posterior del aparato.

Guardar este manual de instrucciones en un lugar seguro para utilizarlo como referencia en el futuro.

ADVERTENCIA

PARA EVITAR INCENDIOS O DESCARGAS ELECTRICAS, NO EXPONGA ESTE APARATO A LA LLUVIA NI A LA HUMEDAD.

CONTENIDO

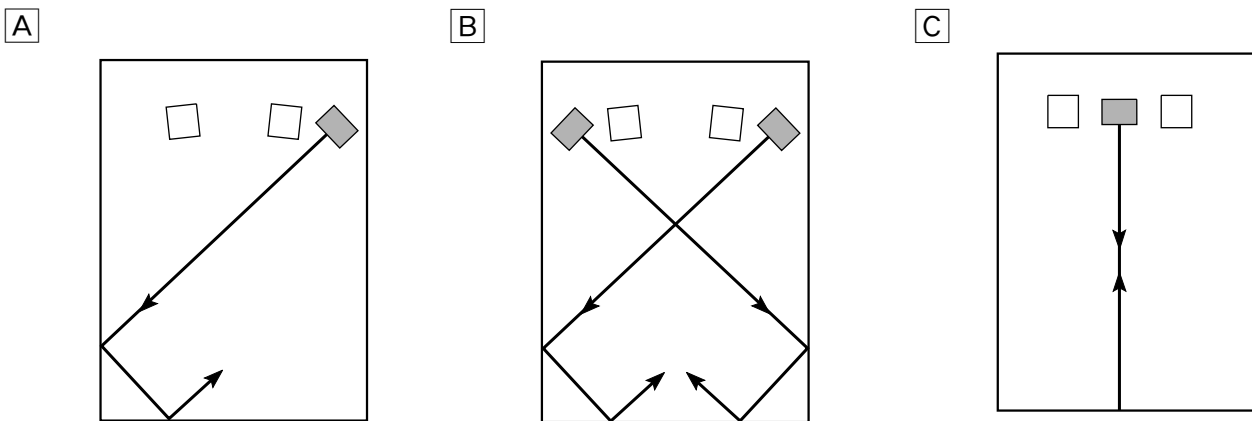
Precaución	52
Características	53
Ubicación	53
Conexiones	54
Controles y sus funciones	57



Ajuste del volumen	58
Advanced YAMAHA Active Servo Technology	60
Localización de averías	61
Especificaciones	61

CARACTERISTICAS

- Este sistema de altavoces de ultr Graves emplea Advanced YAMAHA Active Servo Technology de YAMAHA que ha sido desarrollada para reproducir sonidos ultr Graves de excelente calidad. (Consultar la página 60 para más detalles sobre Advanced YAMAHA Active Servo Technology.) Este sonido de super Graves añade un efecto más realista de cine en el hogar a su sistema estéreo.
- Este sistema se puede agregar fácilmente al sistema de audio existente conectándolo a los terminales de altavoces o los terminales de salida o a los de salida de línea (tomas) del amplificador.
- Para el uso efectivo de este sistema, el sonido ultr Grave de este sistema debe igualar al de los altavoces principales. Usted podrá crear sonido de la mejor calidad utilizando el control **HIGH CUT**.
- La función de puesta en espera automática le ahorra la molestia de presionar el botón **STANDBY/ON** para conectar y desconectar la alimentación.

UBICACION



( : altavoz de ultr Graves,  : altavoz principal)

Un solo altavoz de ultr Graves es suficiente para el sistema de audio, sin embargo, si se usan dos altavoces de ultr Graves se logrará una mayor presencia de sonido.

Al usar un altavoz de ultr Graves, se recomienda colocarlos del lado de afuera de los altavoces principales derecho e izquierdo. (Consultar la fig. **A**.) Si se usan dos altavoces de ultr Graves, se recomienda colocarlos del lado de afuera de ambos altavoces principales. (Consultar la fig. **B**.)

La ubicación indicada en la fig. **C** también se puede usar, sin embargo, si el sistema de ultr Graves se coloca mirando directamente la pared, el efecto de los graves se perderá debido a que el sonido de ellos y el sonido reflejado por la pared se anularán. Para evitar esto, colocar el sistema de ultr Graves oblicuo a la pared tal como se indica en la fig. **A** o **B**.

Nota

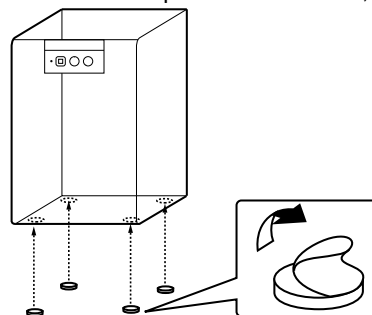
Puede darse el caso que al usar este sistema no se logre obtener un buen sonido ultr Grave al escuchar en el centro de

la sala. Esto se debe a las “ondas estacionarias” que se generan entre dos paredes paralelas y que cancelan el sonido de los graves.

En ese caso, colocar el sistema oblicuamente a la pared. También puede ser útil romper el paralelismo de las superficies colocando estanterías de libros, etc. a lo largo de las paredes.

Utilice los forros de caucho

Instale los forros de caucho incluidos en las cuatro esquinas de la parte inferior del altavoz ultr Graves para evitar que el altavoz ultr Graves se mueva por las vibraciones, etc.



CONEXIONES

No enchufe nunca el altavoz de ultr Graves ni los demás componentes de audio/vídeo hasta que finalice las conexiones.

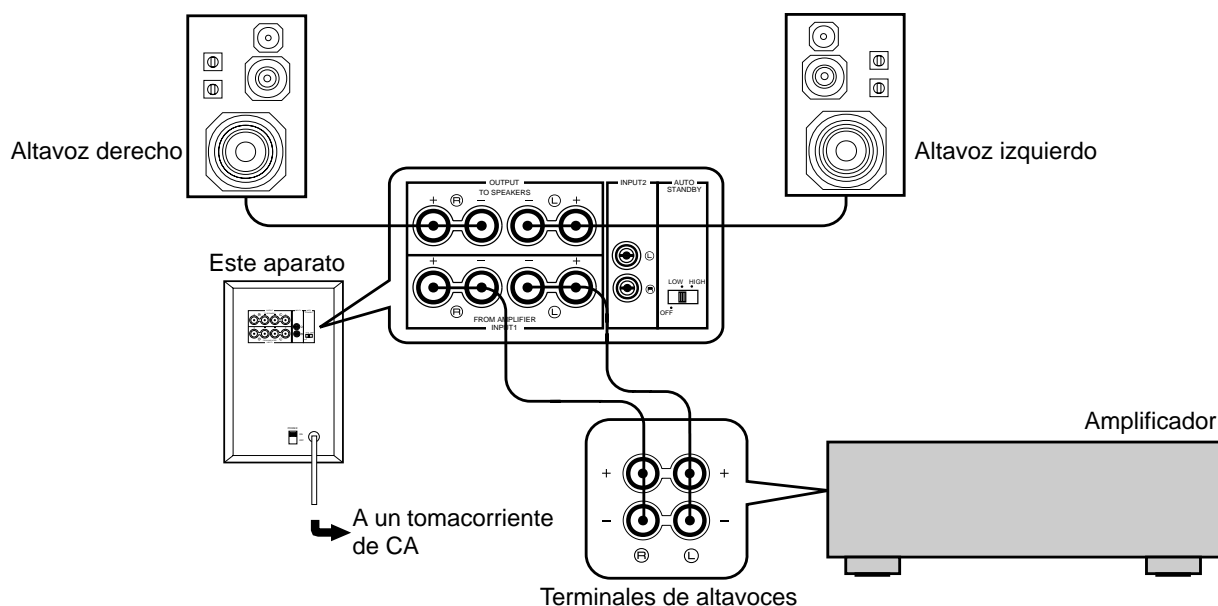
- * Cuando se hacen las conexiones entre este aparato y los demás equipos, éstas deben hacerse correctamente con el L (izquierdo) al L y el R (derecho) al R, el + al + y el - al -
- * Este sistema se puede conectar a los terminales de los altavoces o a los terminales de salida (clavijas monopolares) del amplificador. Elegir una de las maneras indicadas a continuación de acuerdo con el sistema de audio. Consulte también los manuales suministrados con su sistema de audio.

CONEXION A LOS TERMINALES DE ALTAVOCES DEL AMPLIFICADOR

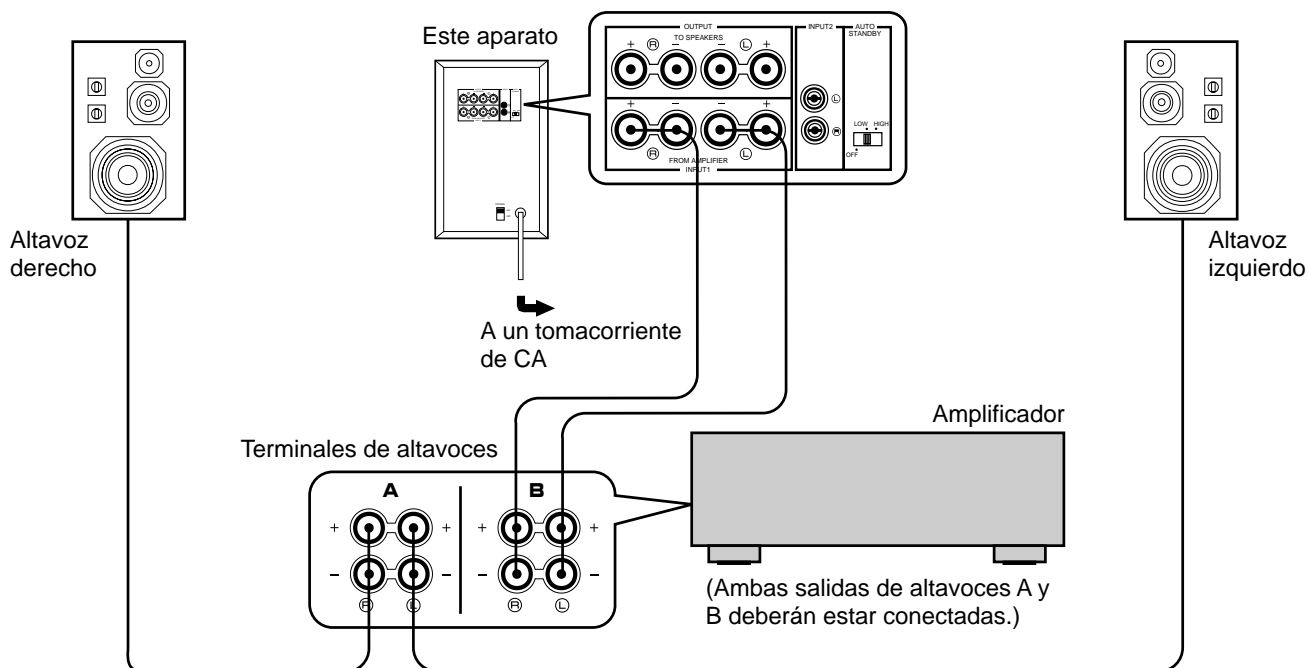
Si se usa sólo un aparato

Cuando su amplificador posea un juego de terminales de altavoces

- Desconectar los altavoces principales del amplificador, si están conectados, y conéctelos a los terminales de altavoces de este aparato.

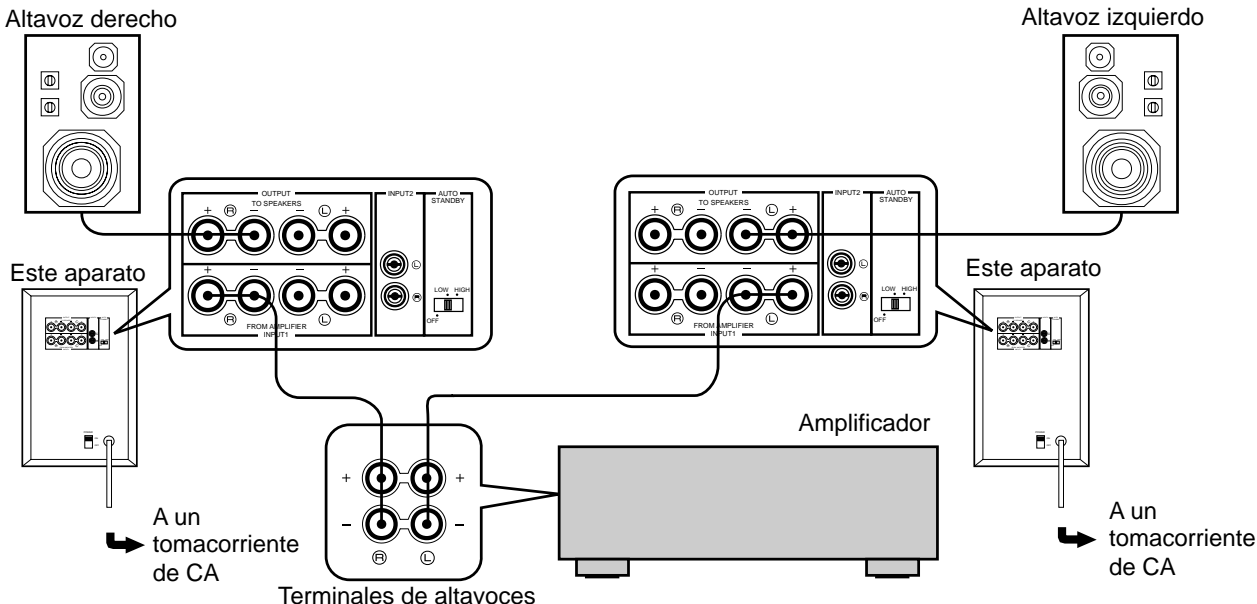


Cuando su amplificador posea dos juegos de terminales de altavoces



Si se usan dos aparatos

Desconectar los altavoces principales del amplificador, si están conectados, y conéctelos a los terminales de altavoces de este aparato.



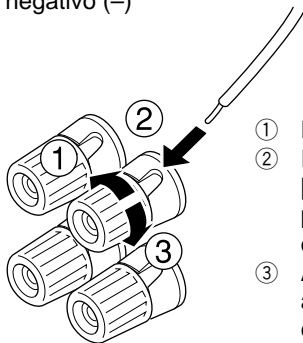
Conexión a los terminales OUTPUT/INPUT de este aparato

Para las conexiones, mantener los cables de los altavoces lo más cortos posible. (Si es necesario, cortar el cable sobrante.) Si se realizan mal las conexiones, no se escuchará sonido alguno proveniente de los altavoces. Verificar que la polaridad de los cables de altavoces es correcta es decir, que las marcas + y - corresponden. Si las conexiones se hacen invertidas, el sonido no será natural y le faltarán graves.

No dejar que los cables pelados se toquen ni que toquen otras partes de metal de este sistema pues el sistema, el amplificador y/o los altavoces se pueden dañar.

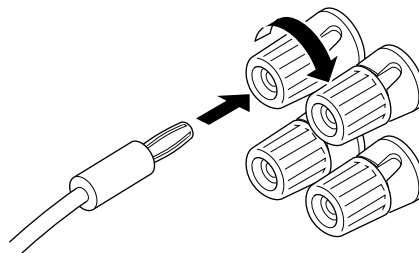
Cómo conectar:

Rojo: positivo (+)
Negro: negativo (-)



- ① Desenroscar el mando.
- ② Introducir el cable pelado.
[Pelar aprox. 5 mm (1/4 pulg.) de aislante del cable de altavoces.]
- ③ Apretar el mando para asegurar firmemente el cable.

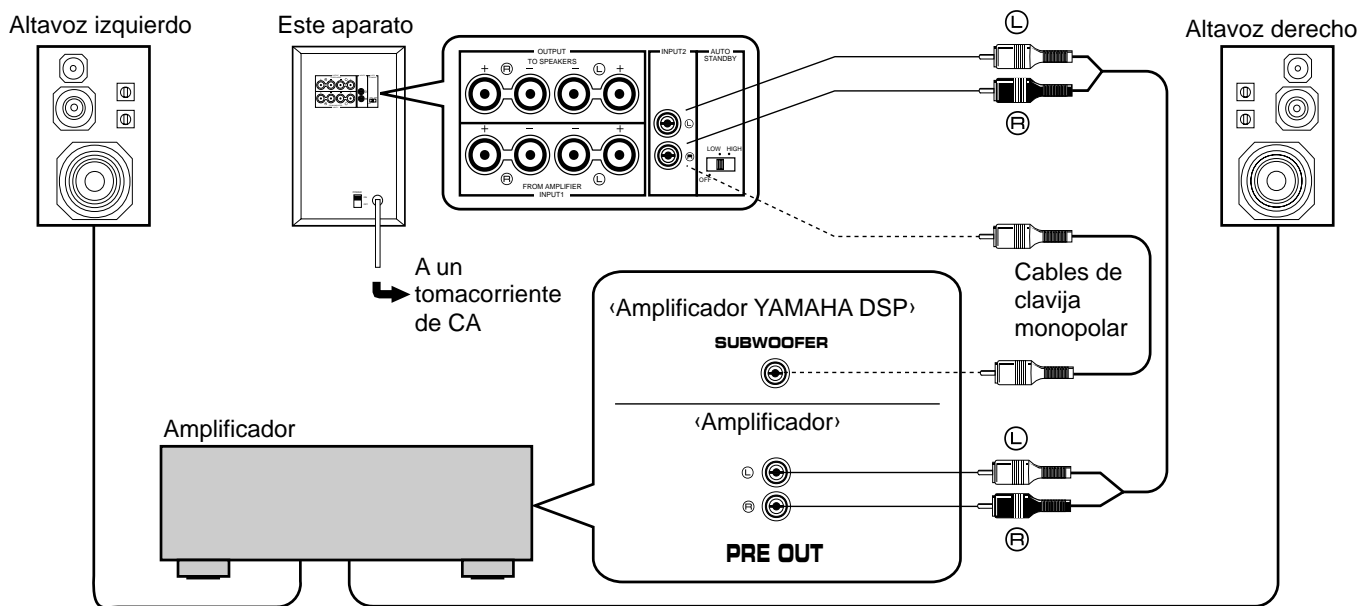
* También se pueden usar clavijas tipo banana (excepto los modelos para el Reino Unido y Europa). Introducir simplemente la clavija tipo banana en el terminal correspondiente.



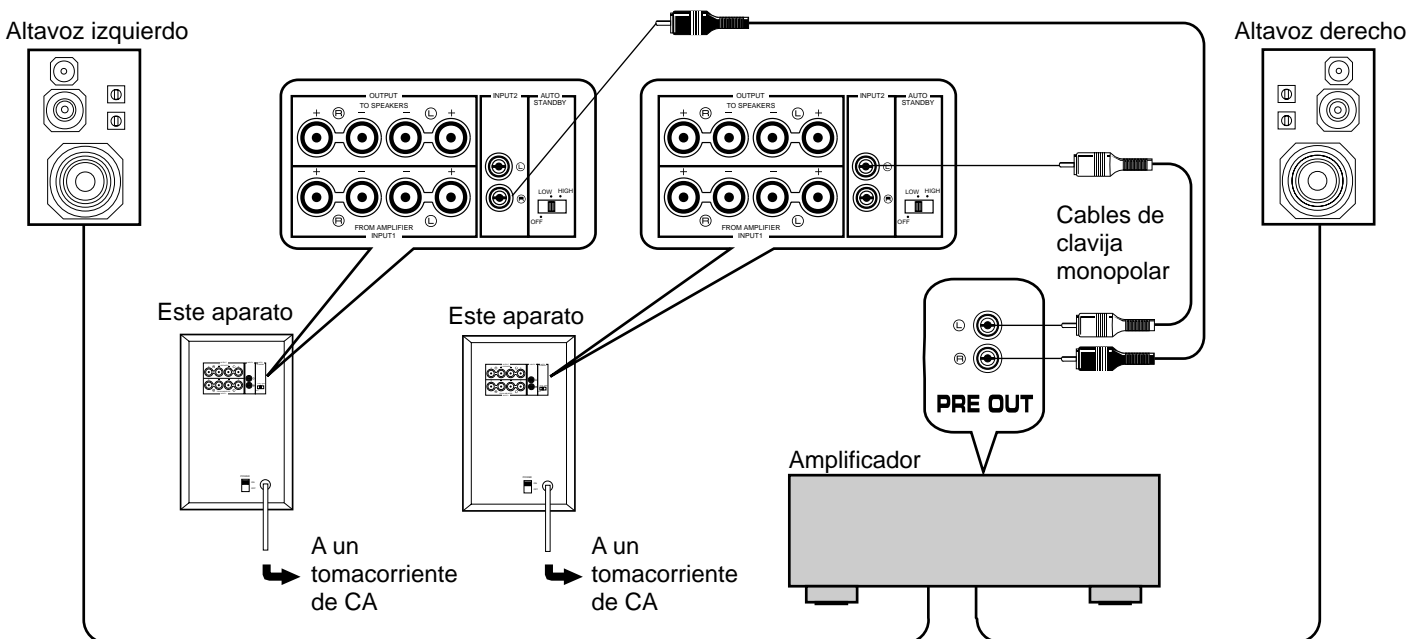
CONEXION A LOS TERMINALES DE SALIDA DE LINEA (TOMAS) DEL AMPLIFICADOR

- Conectar los altavoces principales a los terminales de salida del amplificador.
- Los terminales de salida del amplificador están generalmente indicados como PRE OUT o SUBWOOFER OUT.
- Para la conexión a un amplificador DSP YAMAHA, conectar los terminales SUBWOOFER (LOW PASS, etc.) del panel posterior del amplificador DSP a los terminales del canal izquierdo (L) o derecho (R) INPUT 2.

Si se usa sólo un aparato



Si se usan dos aparatos

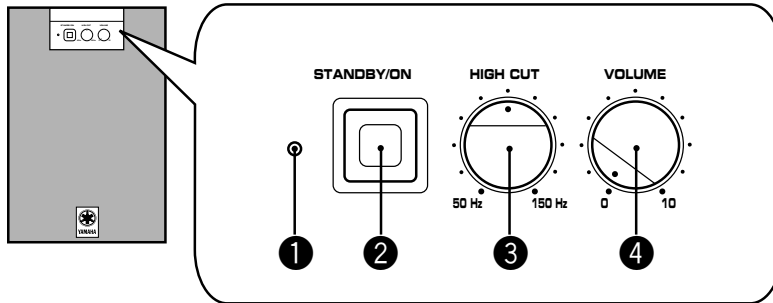


Notas sobre las conexiones

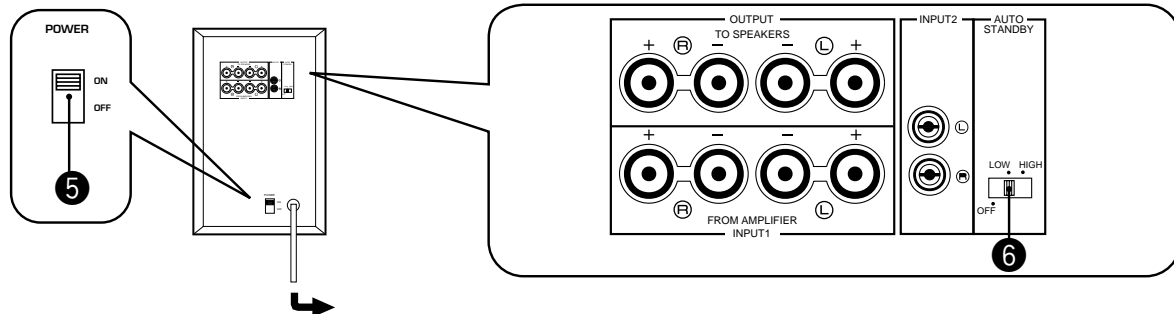
- Al conectar a los terminales de salida, no se deben conectar otros altavoces a los terminales OUTPUT del panel trasero de este sistema. Si se conectan, no saldrá ningún sonido.
- Al conectar al terminal de salida monoaural de un amplificador, conectarlo al terminal INPUT 2 izquierdo o derecho.
- Para usar un amplificador de potencia y un preamplificador, tendrá que haber dos juegos de terminales PRE OUT. Si su preamplificador tiene un solo juego de terminales PRE OUT, conecte este aparato a los terminales de altavoces. (Consultar la página 54.)

CONTROLES Y SUS FUNCIONES

Panel delantero



Panel trasero



- 1** Indicador de **Power**
Se encenderá mientras conecte la alimentación de esta unidad.
* Si el interruptor **AUTO STANDBY** del panel trasero está en la posición **LOW** o **HIGH**, este indicador se iluminará débilmente cuando no entre señal en este aparato.
- 2** Botón **STANDBY/ON**
Cada vez que se presione este botón, la alimentación del aparato se conectará y desconectará (en espera). Con la unidad en espera se consumirá siempre una pequeña cantidad de energía.
- 3** Control **HIGH CUT**
Para ajustar el punto de corte de las frecuencias altas. Las frecuencias más altas que la frecuencia seleccionada por este control se eliminan (no salen por los altavoces).
- 4** Control **VOLUME**
Para ajustar el nivel del volumen.
- 5** Interruptor principal **POWER**
Normalmente, dejar este interruptor en la posición **ON**. Cuando no se vaya a utilizar este aparato durante mucho tiempo, ponerlo en la posición **OFF**.
- 6** Interruptor **AUTO STANDBY**
Con este interruptor se puede activar la función de puesta en espera automática. Normalmente dejar este interruptor en la posición **LOW**.
Para cancelar esta función, poner el interruptor en la posición **OFF**.
* Cambiar el ajuste de este interruptor solamente cuando la alimentación on de este aparato que esté en espera (poniendo el botón **STANDBY/ON** en **OFF**).

Función de puesta automática en espera

Cuando reproduzca una fuente, la alimentación de esta unidad se conectará automáticamente al detectar las señales de audio de entrada en esta unidad. El aparato se conmuta automáticamente al modo de espera cuando pare la fuente que esté reproduciéndose o cuando la señal de entrada de baja frecuencia se corte durante algunos minutos. Esta función trabajará detectando un cierto nivel de señal de entrada de baja frecuencia. Tiene una sensibilidad alta en la posición **HIGH** y baja en la posición **LOW** del interruptor **AUTO STANDBY**. En la posición **HIGH**, se conectará la alimentación aunque haya una señal de entrada de nivel bajo pero este aparato puede no entrar en el modo de espera cuando hay una señal de entrada, incluso cuando su nivel está muy bajo.

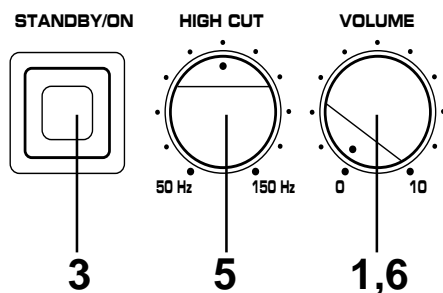
- * Podría suceder que la alimentación se conectara inesperadamente debido a que detecta ruido de otros aparatos. Si ocurriera eso, ajustar el interruptor **AUTO STANDBY** a la posición **OFF** o **LOW**.
- * El nivel de la señal de entrada de frecuencia baja es diferente para cada fuente y para cada parte de la misma fuente. Esta función puede no funcionar correctamente para algunas fuentes.

Esta función está disponible sólo cuando la alimentación de este aparato está conectada a ON (usando el botón **STANDBY/ON 2.)**

AJUSTE DEL VOLUMEN

Es posible que el ajuste del control **HIGH CUT** y el control **VOLUME** necesite cambiarse un poco de acuerdo con los altavoces principales, las condiciones de escucha, la fuente, etc.

Panel delantero

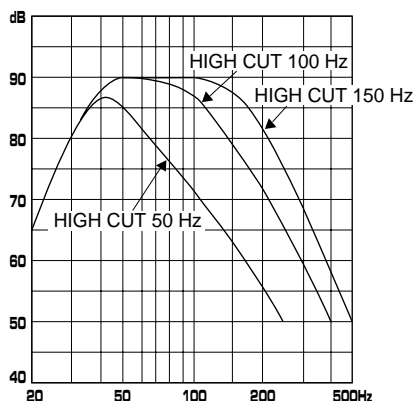


- 1 Ajustar el control **VOLUME** al mínimo (0).
- 2 Conectar la alimentación de los componentes.
- 3 Presionar el botón **STANDBY/ON** para conectar la alimentación de este aparato.
- 4 Reproducir una fuente y ajustar el control de volumen del amplificador al nivel deseado.
- 5 Ajustar el control **HIGH CUT** de acuerdo con los altavoces principales conectados.
Normalmente, ajustar el control a la frecuencia mínima reproducible nominal de los altavoces principales*.
Si no puede obtenerse la respuesta deseada, ajustar de nuevo el control hasta obtenerla.
* La frecuencia mínima reproducible nominal de los altavoces principales podrá encontrarse en el catálogo o en el manual del usuario.
- 6 Subir el volumen gradualmente usando el control **VOLUME** para ajustar el volumen entre este aparato y los altavoces principales.
Normalmente, ajustar el control a un nivel en el que se obtenga un efecto algo mayor de graves que cuando no se utilice este aparato.
Si no puede obtenerse la respuesta deseada, ajustar de nuevo el control hasta obtenerla.

Después del ajuste del equilibrio del volumen entre este aparato y los altavoces principales, podrá ajustarse el volumen de todo el sistema de sonido utilizando solamente el control de volumen del amplificador.

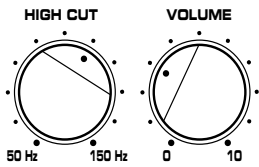
RESPUESTA EN FRECUENCIA

Características de frecuencia de este aparato

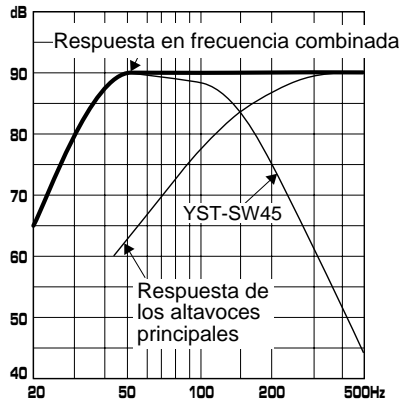


Las cifras mostradas a continuación muestran el ajuste óptimo de cada control, y las características de frecuencia, cuando este aparato está combinado con un sistema de altavoces principales típico.

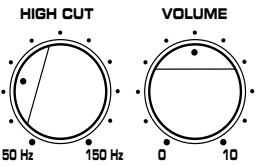
EJ.1 Cuando se usa en combinación con un sistema de 2 vías de suspensión acústica de 3" o 4" (8 cm o 10 cm)



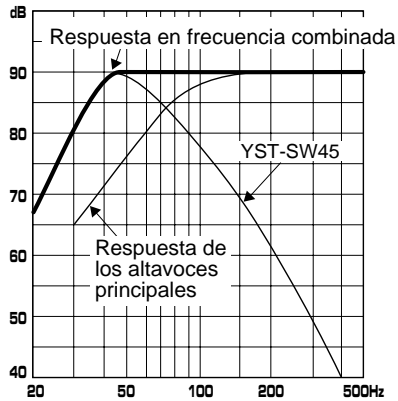
* Una graduación de este control representa 10 Hz.



EJ.2 Cuando se usa en combinación con un sistema de 2 vías de suspensión acústica de 5" (13 cm)



* Una graduación de este control representa 10 Hz.



ADVANCED YAMAHA ACTIVE SERVO TECHNOLOGY

La teoría Yamaha Active Servo Technology se basa en dos principales factores, el resonador Helmholtz y la excitación de impedancia negativa. Los altavoces Active Servo Processing reproducen las frecuencias de los graves a través de un "altavoz de graves neumático", que es un conducto o pequeña abertura de la caja acústica. Esta abertura se emplea y hace las veces del altavoz de graves en los sistemas de altavoces convencionalmente diseñados. De esta forma, las señales de baja amplitud dentro de la caja pueden, de acuerdo con la teoría de resonancia de Helmholtz, salir a través de esta abertura como ondas de gran amplitud si el diseño es tal que el tamaño de la abertura y el volumen de la caja están en la proporción correcta para satisfacer cierta relación. Además, para realizar esto, las amplitudes dentro de la caja deben ser precisas y de la potencia suficiente porque dichas amplitudes deben superar la "carga" presentada por el aire que existe dentro de la caja.

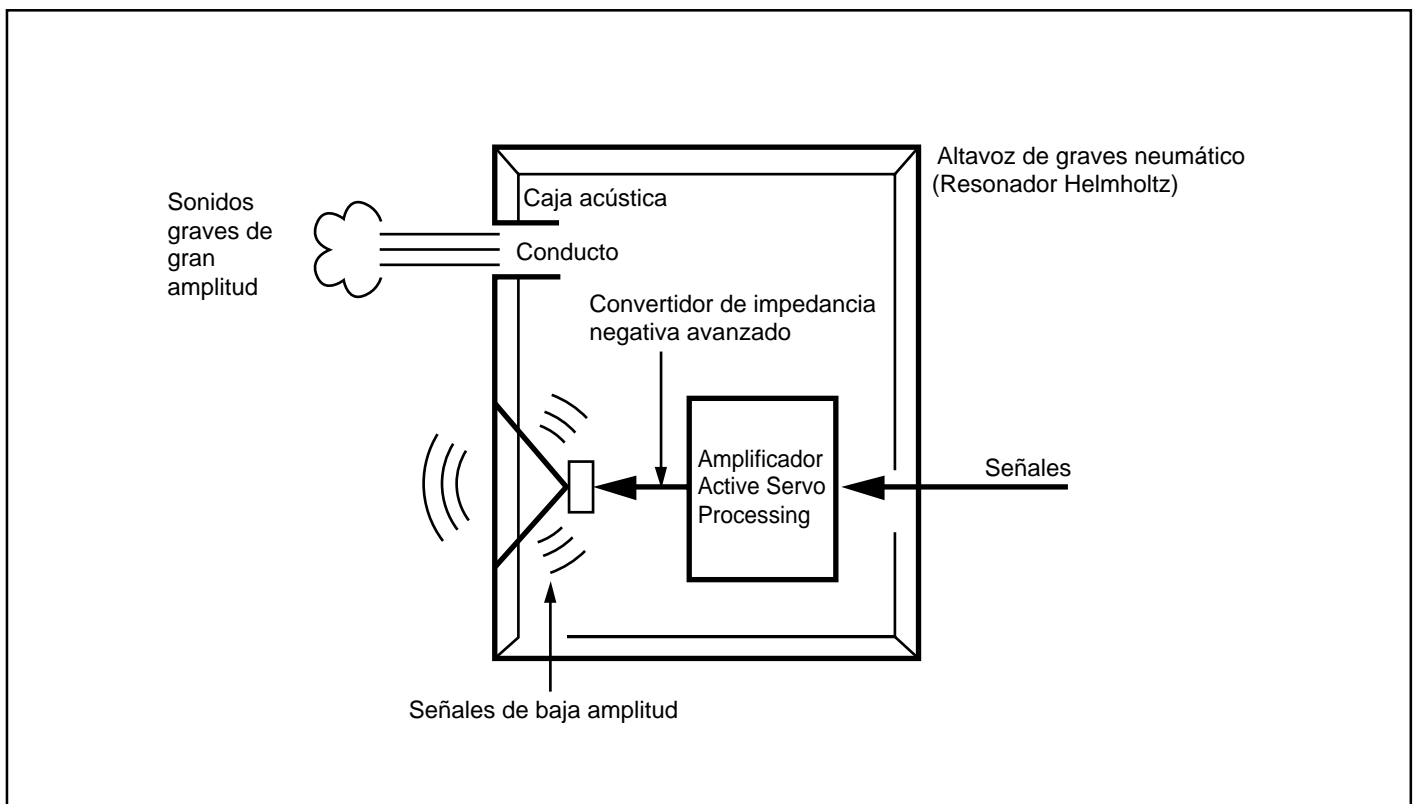
Por lo tanto, este problema se resuelve empleando un diseño en el que el amplificador funciona para suministrar señales especiales.

Si la resistencia eléctrica de la bobina móvil se reduce a cero, el movimiento de la unidad de altavoz será lineal con respecto a la tensión de la señal y, para conseguir esto, se emplea un amplificador especial de excitación de salida de impedancia negativa para restar impedancia de salida del amplificador.

Empleando circuitos excitadores de impedancia negativa, el amplificador es capaz de generar ondas de baja amplitud y baja frecuencia precisas con características de amortiguación excelentes, y estas ondas se radian después desde la abertura de la caja como señales de gran amplitud. Por lo tanto, el sistema puede, empleando el amplificador de excitación de salida de impedancia negativa y la caja acústica con el resonador Helmholtz, reproducir una gama extremadamente amplia de frecuencias con una calidad acústica increíble y con menos distorsión.

Las características descritas se combinan para convertirse en la estructura fundamental de la Yamaha convencional Active Servo Technology.

Nuestra nueva tecnología servoactiva - Advanced Yamaha Active Servo Technology - adoptó circuitos convertidores de impedancia negativa avanzados (ANIC), que permiten a un convertidor de impedancia negativa convencional verificar dinámicamente para seleccionar el valor óptimo para la variación de impedancia de los altavoces. Con estos nuevos circuitos ANIC, la tecnología servoactiva avanzada Yamaha puede proporcionar un rendimiento más estable y presión acústica máxima mejorada en comparación con la tecnología servoactiva Yamaha convencional, lo que resulta en una reproducción de graves más natural y energética.



LOCALIZACION DE AVERIAS

Si el aparato no está funcionando normalmente, verificar los siguientes puntos para determinar si se puede corregir el problema de la forma descritas a continuación. Si no se resuelve el problema, o si el problema no está en la columna de SINTOMAS, desenchufar el aparato y consultar a un distribuidor o centro de servicio autorizado YAMAHA.

SINTOMAS	CAUSA	SOLUCION
No es posible conectar la alimentación.	El cable de alimentación no está bien enchufado, o el interruptor de alimentación principal (POWER) no está en la posición OFF.	Enchufar el cable de alimentación en un tomacorriente de CA y/o poner el interruptor de alimentación principal POWER en la posición OFF.
No hay sonido.	El control VOLUME está en 0.	Girar hacia la derecha el control VOLUME.
	Los cables de los altavoces no están conectados con seguridad.	Conectar los cables de altavoces con seguridad.
El sonido es muy bajo.	Los cables de altavoces están mal conectados.	Conectar los cables de altavoces correctamente, es decir L (izquierda) a L, R (derecha) a R, + a + y - a -.
	Se está reproduciendo una fuente de sonidos con pocos graves.	Reproducir una fuente de sonido con graves. Ajustar el control HIGH CUT a una posición más alta. (Girar el control hacia la derecha.)
	Están actuando las ondas estacionarias.	Cambiar de lugar los altavoces de ultragraves o eliminar el paralelismo entre las superficies colocando una biblioteca, etc. a lo largo de las paredes.
La alimentación de la unidad no se conecta automáticamente.	El interruptor de alimentación principal POWER está en la posición OFF.	Poner el interruptor de alimentación principal POWER en la posición OFF.
	El botón STANDBY/ON está ajustado a OFF.	Poner el botón STANDBY/ON en ON.
	El interruptor AUTO STANDBY está en la posición OFF.	Poner el interruptor AUTO STANDBY en la posición HIGH o LOW.
	El nivel de la señal de entrada es demasiado bajo.	Poner el interruptor AUTO STANDBY en la posición HIGH.
La alimentación de la unidad se desconecta (en espera) inesperadamente.	El nivel de la señal de entrada es demasiado bajo.	Poner el interruptor AUTO STANDBY en la posición HIGH.
La alimentación de la unidad se conecta inesperadamente.	Influencia de ruido generado por un equipo externo, etc.	Alejar el aparato de tales equipos y/o cambiar la posición de los cables de altavoces conectados. O poner el interruptor AUTO STANDBY en la posición OFF.

ESPECIFICACIONES

Tipo Sistema de altavoz de ultragrave
Active Servo Processing
Unidad altavoz Altavoz de cono de graves de 20 cm
(8") (JA2162) con blindaje antimagnético x 1
Salida del amplificador 70 W/5 ohmios
Filtro de corte alto 50Hz-150 Hz (-24 dB/oct.)
Respuesta en frecuencia 30 Hz-200 Hz (-10 dB)
Alimentación
Modelos para EE.UU. y Canadá 120 V CA, 60 Hz
Modelo para Australia 240 V CA, 50 Hz

Modelos para el Reino Unido y Europa .. 230 V CA, 50 Hz
Modelos general y para China 110/120/220/240 V CA,
50/60 Hz (Ajustable con el selector de voltaje)

Consumo 55W
Dimensiones (An x Al x Prf) ... 252 mm x 365 mm x 318 mm
(9-5/16" x 14-7/20" x 12-1/2")
Peso 9 kg (19 lib. 13 oz.)
Accesorio Incluido Forros de caucho

* El diseño y las especificaciones están sujetos a cambios sin previo aviso.

VEILIGHEIDSVORSCHRIFTEN: EERST LEES DEZE, ALVORENS HET APPARAAT IN GEBRUIK TE NEMEN.

1. Lees deze handleiding aandachtig door om de best mogelijke resultaten te verkrijgen. Bewaar deze handleiding op een veilige plaats voor toekomstige referentie.
2. Stel het apparaat op een koele, droge, schone plaats op, niet in de buurt van ramen, warmtebronnen of op plaatsen die onderhevig zijn aan trillingen of op buitengewoon stoffige, warme, koude of vochtige plaatsen. Plaats het apparaat niet in de buurt van mogelijke storingsbronnen (zoals transformatoren of motoren). Stel het apparaat niet bloot aan regen of vocht, om het risico van brand of een elektrische schok te voorkomen.
3. Open nooit de behuizing van dit apparaat. Raadpleeg uw dealer, in het geval er een vreemd voorwerp in het apparaat terechtgekomen is.
4. Nooit overmatige kracht uitoefenen op de schakelaars en regelaars of op de aansluitsnoeren. Bij het verplaatsen van het apparaat, eerst de stekker van het netsnoer uit het stopcontact trekken en de verbindingen van de snoeren met overige apparatuur los maken. Nooit aan de snoeren zelf trekken.
5. Probeer nooit het apparaat te reinigen met behulp van een chemisch reinigingsmiddel, aangezien hierdoor de afwerking beschadigd kan worden. Gebruik een schone, droge doek.
6. Alvorens te concluderen dat uw apparaat defect is, eerst het hoofdstuk "VERHELPEN VAN STORINGEN" doorlezen voor advies betreffende het opsporen van mogelijke bedieningsfouten.
7. Wanneer u het apparaat geruime tijd niet gaat gebruiken (bijv. bij vakantie, enz.), kunt u het beste de stekker uit het stopcontact verwijderen.
8. Trek bij onweer de stekker van het netsnoer uit het stopcontact, om schade door eventuele blikseminslag te voorkomen.
9. Aangezien dit apparaat uitgerust is met een ingebouwde vermogenversterker, wordt er warmte via het achterpaneel afgevoerd. Plaats daarom het apparaat niet tegen een wand en laat rondom het apparaat een tussenruimte open, om oververhitting en brandgevaar te voorkomen. Plaats het apparaat ook niet met het achterpaneel naar beneden gericht op de grond of op enig ander oppervlak.
<Modellen voor Europa en Groot-Brittannië>
Laat een tussenruimte open van ten minste 20 cm boven, achter en aan weerszijden van het apparaat.
10. De ultralage frequenties die door dit apparaat worden gereproduceerd, kunnen in de weergave van een platenspeler storende geluiden veroorzaken. In een dergelijk geval zet u dit apparaat op wat grotere afstand van de platenspeler.
11. De trillingen die resulteren uit de ultralage frequenties van dit apparaat kunnen storing in het beeld van een tv-toestel veroorzaken. In een dergelijk geval zet u dit apparaat op wat grotere afstand van het tv-toestel.
12. Dit apparaat heeft een magnetisch afgeschermd constructie, maar toch bestaat de kans dat wanneer dit apparaat te dicht bij een TV toestel geplaatst wordt, de kwaliteit van de kleuren nadelig beïnvloed worden. In dat geval zet u dit apparaat op wat grotere afstand van het tv-toestel.
13. Indien u merkt dat er zich bij dit apparaat vervorming van het geluid voordoet, (d.w.z. onnatuurlijke "kloppende" of "tikkende" geluiden die zich met tussenpozen voordoen), dient u de geluidsterkte te verminderen. Als de allerlaagste tonen in het geluidsspoor van een film of soortgelijk luide passages van popmuziek met erg hoog volume worden weergegeven, bestaat de kans op beschadiging van dit luidsprekersysteem.
14. **Spanningskeuzeschakelaar (Alleen algemene modellen en modellen voor China)**
De spanningskeuzeschakelaar op het achterpaneel van dit apparaat dient correct ingesteld te worden op de plaatselijke netspanning, ALVORENS u de stekker van het netsnoer in het stopcontact steekt.
Instelbare netspanningen zijn 110/120/220/240V wisselstroom, 50/60 Hz.
15. **De eigenaar van dit apparaat is verantwoordelijk voor de veilige opstelling er van.**
YAMAHA aanvaardt geen enkele aansprakelijkheid voor eventuele ongelukken die voortkomen uit de onjuiste opstelling of installatie van luidsprekers.

BELANGRIJK

Noteer het serienummer van dit apparaat in de ruimte hieronder.

Serienummer:

Het serienummer staat aangegeven op het achterpaneel van het apparaat.

Bewaar deze handleiding op een veilige plaats voor latere naslag.

WAARSCHUWING

STEL HET APPARAAT NIET BLOOT AAN REGEN OF VOCHT, OM GEVAAR VOOR BRAND OF EEN ELEKTRISCHE SCHOK TE VOORKOMEN.

SPECIALE INSTRUCTIES VOOR HET BRITSE MODEL

BELANGRIJK

DE ADERS VAN HET NETSNOER VOOR DE VOEDING VAN DIT APPARAAT ZIJN VAN DE VOLGENDE KLEURCODE VOORZIEN:

Blauw: AARDEDRAAD

Bruin: FASEDRAAD

Aangezien deze kleurcodes niet noodzakelijk overeenkomen met de codering van de aansluitpunten van uw netstroomstekker, dient u voor het maken van de juiste verbindingen als volgt te werk te gaan:

Sluit de BLAUW gekleurde snoerader aan op de ZWARTE of met de letter N gemerkte aansluiting. Sluit de BRUIN gekleurde snoerader aan op de RODE of met de letter L gemerkte aansluiting. Sluit nooit één van de snoeraders aan op de aard-aansluiting van de driepolige stekker.

INHOUDSOPGAVE

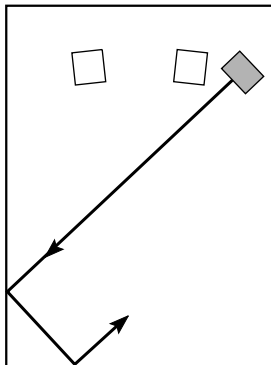
Veiligheidsvoorschriften	62	Afstellen van de geluidsterkte	68
Kenmerken	63	Advanced YAMAHA Active Servo Technology	70
Opstelling	63	Verhelpen van storingen	71
Aansluitingen	64	Technische gegevens	71
Bedieningsorganen en hun functies	67		

KENMERKEN

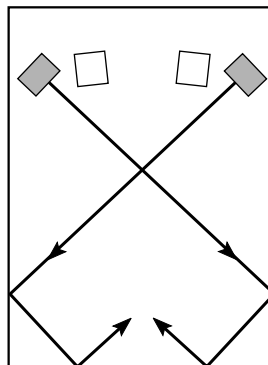
- Dit subwoofer-systeem maakt gebruik van de Advanced YAMAHA Active Servo Technology welke door YAMAHA werd ontwikkeld voor de reproductie van ultralage tonen van superieure kwaliteit. (Zie blz. 70 voor nadere bijzonderheden over deze Advanced YAMAHA Active Servo Technology.) Deze krachtige lage tonen geven uw stereo-installatie een voller, directer geluid en maken uw luisterkamer tot een theaterzaal thuis.
- Dit apparaat is gemakkelijk aan te sluiten op uw bestaande audio-systeem door het te verbinden met de luidspreker-uitgangen of de voorversterker-uitgangen (tulpstekkerbussen) van uw versterker.
- Voor een effectief gebruik van dit apparaat dienen de ultralage klanken van dit apparaat in overeenstemming gebracht te worden met de klanken van uw hoofd-luidsprekers. Om de beste geluidskwaliteit te creëren voor allerlei luistersituaties, kunt u de geluidswaegave aanpassen met de **HIGH CUT** regelaar.
- Een automatische in- en uitschakelfunctie (AUTO STANDBY) bespaart u de moeite van het indrukken van de **STANDBY/ON** toets, telkens wanneer het apparaat in- of uitgeschakeld moet worden.

OPSTELLING

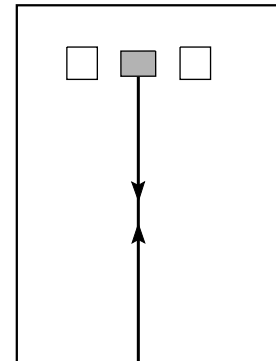
A


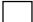


B



C



( : subwoofer,  : hoofd-luidsprekers)

Met een enkele ultralage-luidspreker kunt u de waegave van uw stereo-installatie al aanzienlijk verbeteren, maar het gebruik van twee ultralage-luidsprekers is aanbevolen om een beter live-effect te verkrijgen.

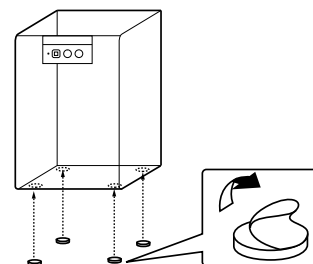
Als u gebruik maakt van een enkele ultralage-luidspreker, is het aanbevolen deze aan de buitenzijde van de rechter of de linker hoofd-luidspreker te plaatsen. (Zie afb. **A**.) Indien u twee ultralage-luidsprekers gebruikt, is het aanbevolen deze aan de buitenzijde van elk van de hoofd-luidsprekers te plaatsen. (Zie afb. **B**.)

De plaatsing aangegeven in afb. **C** is ook mogelijk, maar als de ultralage-luidspreker recht tegenover een vlakke wand wordt geplaatst, bestaat de kans dat de lage tonen verdwijnen, aangezien het directe geluid van de ultralage-luidspreker en het door de wand teruggekaatste geluid tegen elkaar wegvallen. Om dit te voorkomen, dient u de ultralage-luidspreker(s) schuin ten opzichte van de wanden te plaatsen, zoals aangegeven in afb. **A** en **B**.

tonen van dit apparaat hoort wanneer u in het midden van de kamer luistert. Dit komt omdat er zich "staande golven" hebben ontwikkeld tussen twee parallel staande wanden, zodat de lage tonen wegvallen. In een dergelijk geval kunt u de luidspreker(s) beter schuin zetten ten opzichte van de wanden. Een andere oplossing kan zijn de parallelle oppervlakken te onderbreken door boekenplanken, enz. langs de wanden te plaatsen.

Gebruik de anti-slip rubbers

De bijgeleverde anti-slip rubbers op de vier punten aan de onderzijde van de subwoofer aanbrengen om te voorkomen dat de subwoofer gaat bewegen als gevolg van trillingen etc.



Opmerking

Het kan zich wel eens voordoen dat u niet genoeg ultralage

AANSLUITINGEN

Schakel eerst alle apparatuur uit, maak de onderlinge aansluitingen en sluit pas daarna de ultralaag-luidspreker(s) en uw andere audio/video-apparatuur op het stopcontact aan.

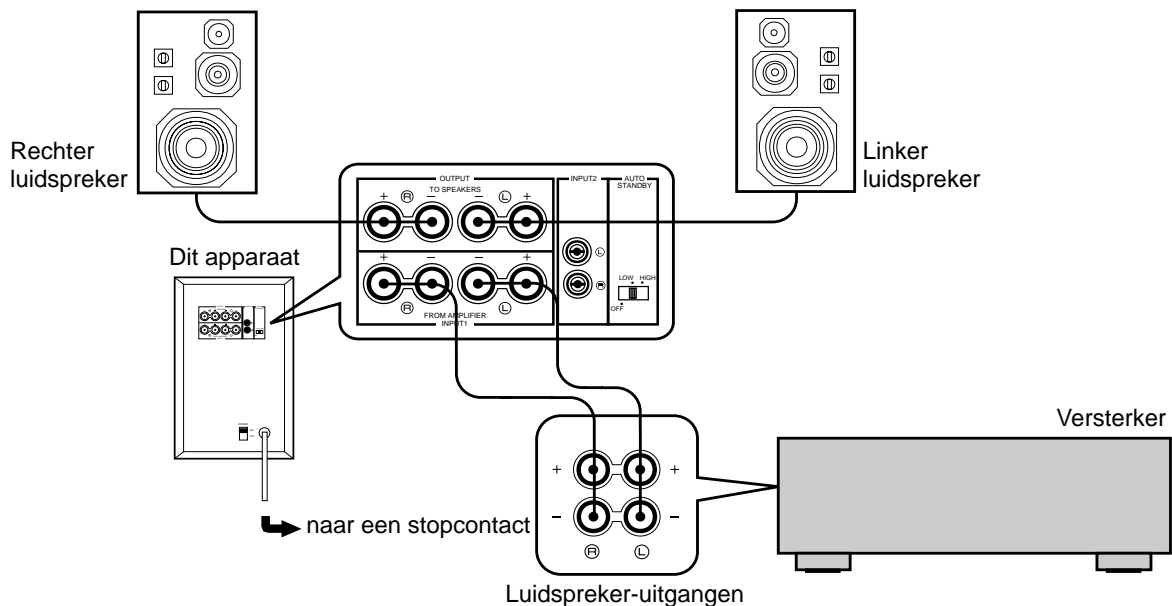
- Bij het aansluiten van dit apparaat op uw andere apparatuur dient u er op te letten dat de verbindingen stevig worden gemaakt met de juiste polariteit, dat wil zeggen **L** (links) aansluiten op **L**, **R** (rechts) op **R**, **+** op **+** en **-** op **-**.
- Dit apparaat kan naar keuze aangesloten worden op de luidspreker-aansluitingen of op de voorversterker-uitgangen (tulpstekkerbussen) van de versterker. Kies een van de hieronder aangegeven methoden, afhankelijk van de mogelijkheden van uw stereo-installatie. Raadpleeg ook de bedieningshandleiding van de componenten die u op dit apparaat wilt aansluiten.

AANSLUITEN OP DE LUIDSPREKER-UITGANGEN VAN DE VERSTERKER

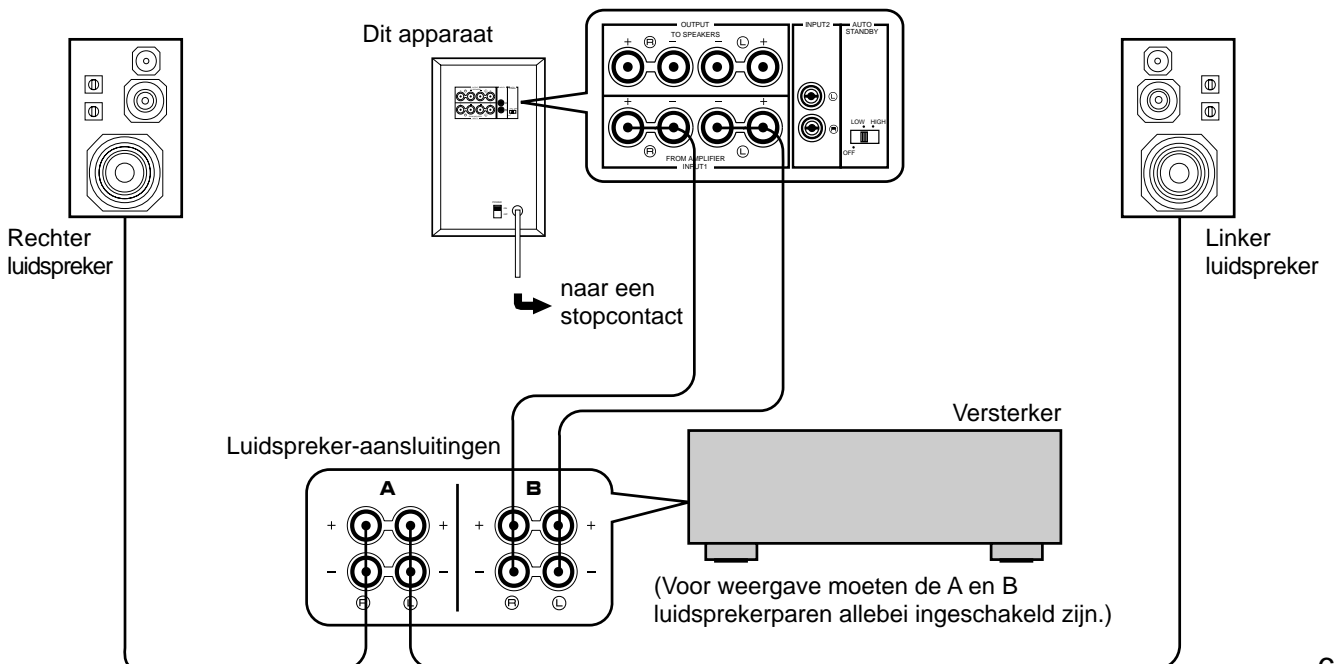
Bij gebruik van één ultralaag-luidspreker

Als uw versterker één stel luidspreker-aansluitingen heeft

- Maak uw hoofd-luidsprekers los van de versterker en sluit ze aan op de luidspreker-uitgangen van dit apparaat.

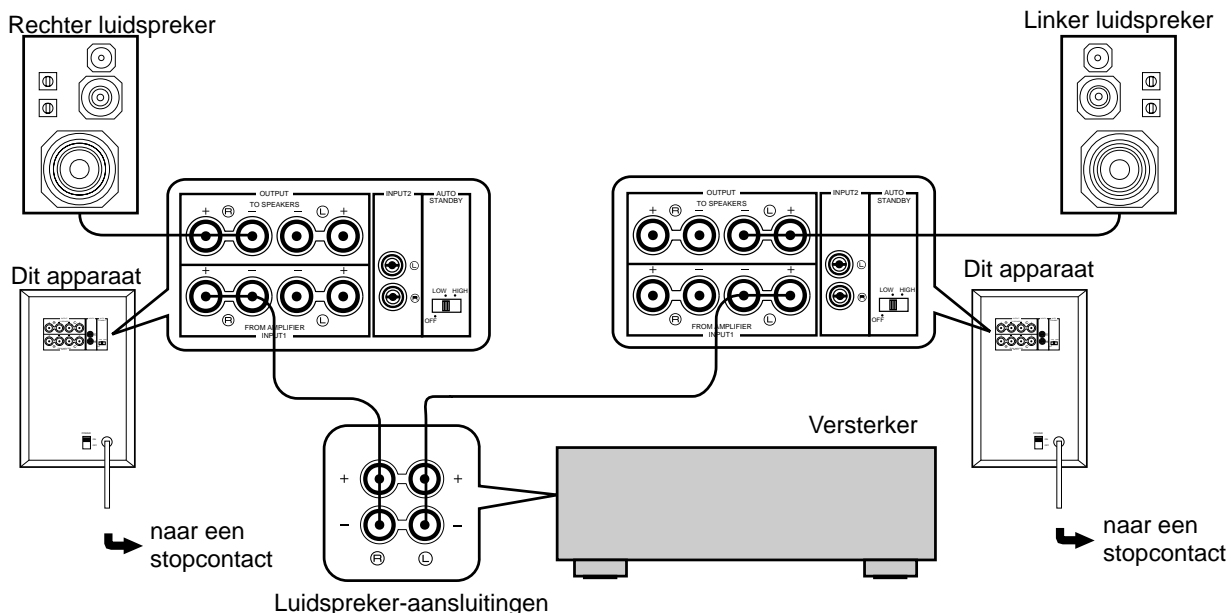


Als uw versterker twee stel luidspreker-aansluitingen heeft



Bij gebruik van twee ultralaag-luidsprekers

Maak uw hoofd-luidsprekers los van de versterker en sluit ze aan op de luidspreker-uitgangen van dit apparaat.



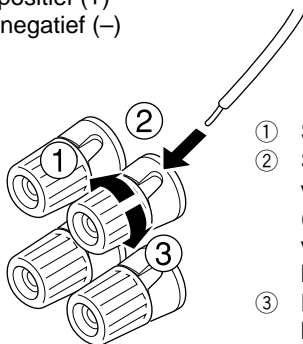
Aansluiten op de OUTPUT/INPUT stekkerbussen van dit apparaat

Bij alle aansluitingen dient u de luidsprekersnoeren zo kort mogelijk te houden. (Knip zonnig de overbodige stukken draad af.) Als de aansluitingen niet in orde zijn, zullen de luidsprekers geen geluid geven. Zorg dat de polariteit van de luidsprekersnoeren correct is, dus let op de + en – aanduidingen. Indien de positieve en negatieve aders verwisseld worden, zal het geluid onnatuurlijk klinken en zullen de lage tonen niet doorkomen.

Zorg er voor dat de blootgelegde luidsprekersnoeren elkaar en de metalen delen van dit apparaat niet raken, aangezien daardoor dit apparaat, de versterker en/of de luidsprekers beschadigd kunnen worden.

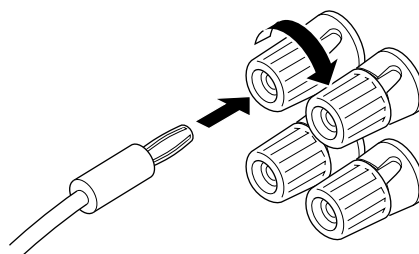
Wijze van aansluiten:

Rood: positief (+)
Zwart: negatief (–)



- ① Schroef de knop los.
- ② Steek het gestripte uiteinde van het luidsprekersnoer in. (Verwijder ongeveer 5 mm van de isolatie van de luidsprekersnoeren.)
- ③ Draai de knop aan zodat het luidsprekersnoer stevig vast zit.

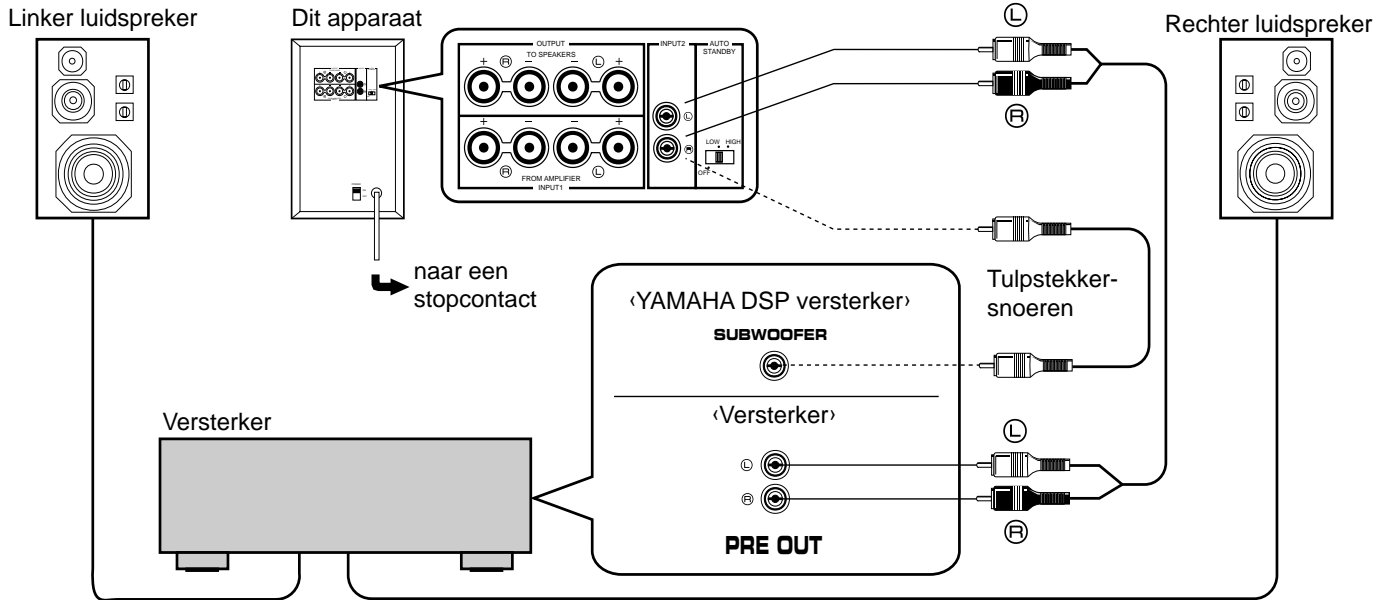
* Banaan-stekkerverbindingen zijn ook mogelijk (behalve voor Europa en Groot-Brittannië modellen). Steek elke banaanstekker eenvoudigweg in de bijbehorende aansluiting.



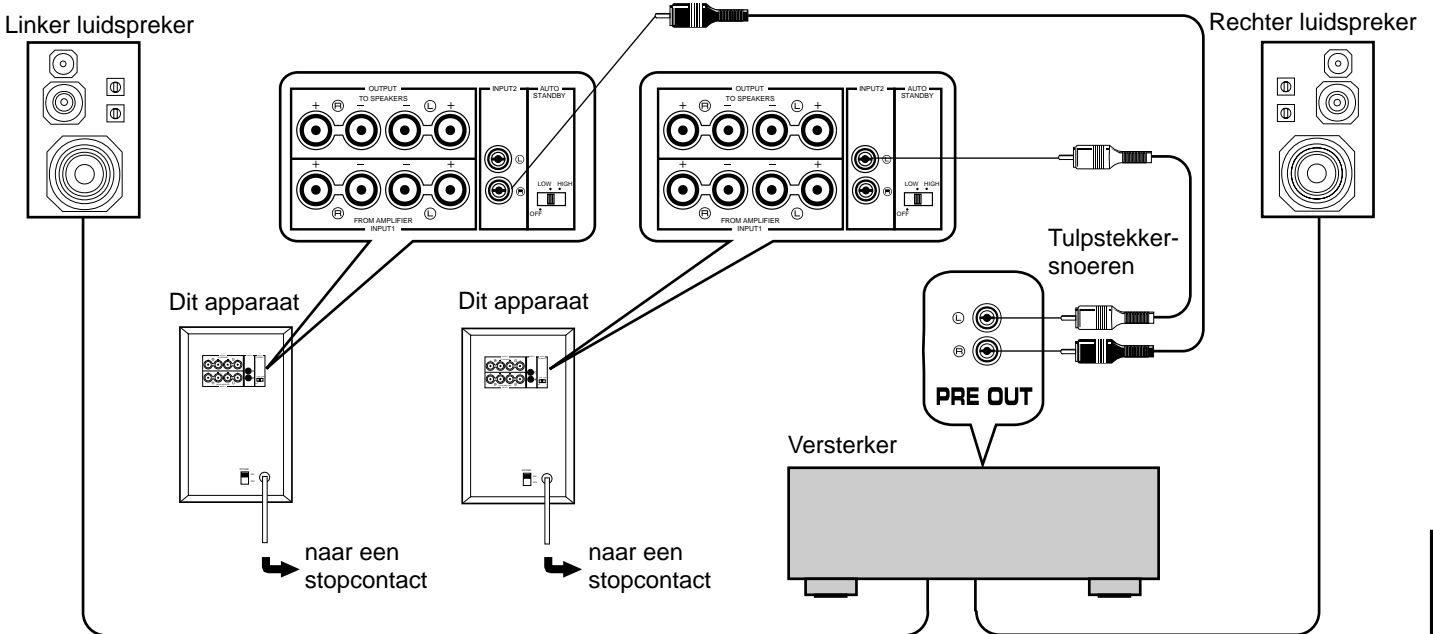
AANSLUITEN OP DE VOORVERSTERKER-UITGANGEN (TULPSTEKKERBUSSEN) VAN DE VERSTERKER

- Laat de hoofd-luidsprekers aangesloten op de versterker.
- De voorversterker-uitgangen van de versterker zijn doorgaans gemarkeerd met PRE OUT of SUBWOOFER OUT.
- Voor aansluiten op een YAMAHA DSP versterker verbindt u de SUBWOOFER (of LOW PASS e.d.) stekkerbus op het achterpaneel van de DSP versterker met de L of R INPUT 2 aansluiting (welke maakt niet uit).

Bij gebruik van één ultralaag-luidspreker



Bij gebruik van twee ultralaag-luidsprekers

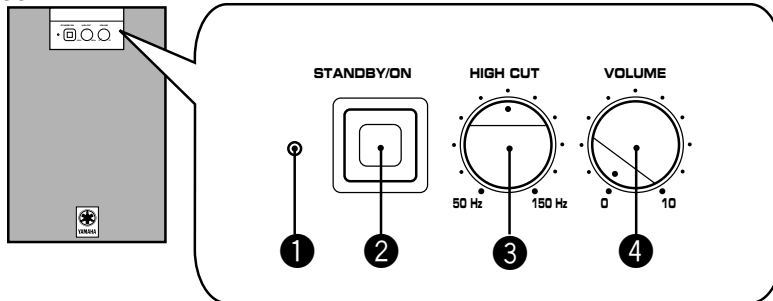


Opmerkingen betreffende de bovenstaande aansluitingen

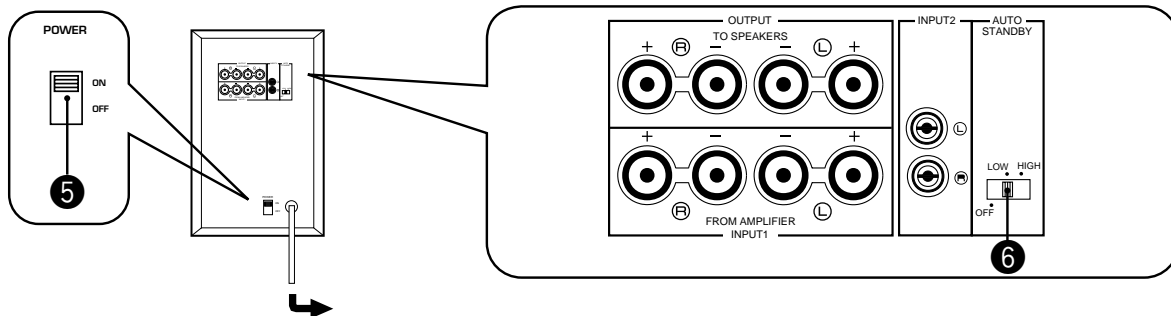
- Bij aansluiting op de voorversterker-uitgangen van de versterker mogen er geen andere luidsprekers worden verbonden met de OUTPUT uitgangen op het achterpaneel van dit apparaat. Als er toch luidsprekers worden aangesloten, zullen deze geen geluid weergeven.
- Bij aansluiting op een mono voorversterker-uitgang van de versterker, kunt u de enkele tulpstekker aansluiten op de linker of rechter INPUT 2 ingang.
- Bij gebruik van een gescheiden voorversterker en eindversterker moet de voorversterker beschikken over twee stel PRE OUT uitgangsaansluitingen. Als uw voorversterker slechts één stel PRE OUT uitgangen heeft, kunt u deze ultralaag-luidspreker aansluiten op de luidspreker-uitgangen (zie blz. 64).

BEDIENINGSORGANEN EN HUN FUNCTIES

Voorpaneel



Achterpaneel



- 1 Power** spanningslampje
Licht op wanneer het apparaat AAN staat.
* Als de **AUTO STANDBY** schakelaar op het achterpaneel in de LOW of HIGH stand is gezet, zal dit lampje flauw oplichten wanneer dit apparaat geen geluidssignaal ontvangt.
- 2 STANDBY/ON** toets
Door indrukken van deze toets kunt u het apparaat beurtelings in- en uitschakelen (gebruiksklaar zetten). Ook in de uitgeschakelde gebruiksklaar-stand verbruikt het apparaat een geringe hoeveelheid stroom.
- 3 HIGH CUT** regelaar
Hiermee kunt u het afsnijpunt voor de hoge frequenties instellen. Alle frequenties boven de afsnijfrequentie die u met deze regelaar kiest, worden afgesneden (dus niet weergegeven).
- 4 VOLUME** regelaar
Hiermee stelt u de geluidssterkte naar wens in.
- 5 POWER** hoofdschakelaar
Gewoonlijk kunt u deze schakelaar in de ON stand laten staan. Wanneer u het apparaat geruime tijd niet meer gebruikt, zet u de schakelaar op OFF om de stroom uit te schakelen.
- 6 AUTO STANDBY** schakelaar
Met deze schakelaar kunt u de automatische in- en uitschakelfunctie activeren. Gewoonlijk kunt u de schakelaar het best in de LOW stand zetten. Om de automatische in- en uitschakelfunctie te annuleren, zet u de schakelaar in de OFF stand.
* Verander de stand van deze schakelaar uitsluitend wanneer het apparaat is uitgeschakeld (met de **STANDBY/ON** toets in de OFF stand).

Automatische in-en uitschakelfunctie

Wanneer u een bron weergeeft, zal de stroomtoevoer van dit apparaat automatisch worden ingeschakeld door middel van aftasting van de audiosignalen die naar dit apparaat gezonden worden. Dit apparaat zal automatisch in de standby stand komen indien de weergave van de bron stopgezet wordt of wanneer het laagfrequent ingangssignaal gedurende enkele minuten afgebroken wordt. Deze functie werkt waarneming aftasting van een laagfrequente ingangssignaal van een bepaald niveau. De gevoeligheid is hoog in de HIGH stand en laag in de LOW stand van de **AUTO STANDBY** schakelaar. In de HIGH stand zal het apparaat worden ingeschakeld ook als het niveau van het ingangssignaal laag is. Anderzijds is het mogelijk dat het apparaat niet in de standby functie wordt geschakeld in het geval van een ingangssignaal waarvan het niveau buitengewoon laag is.

* Het kan soms gebeuren dat de stroomtoevoer onverwacht automatisch wordt ingeschakeld als gevolg van het opvangen van storing van andere apparatuur. Zet in een dergelijk geval de **AUTO STANDBY** schakelaar in de stand OFF of LOW.

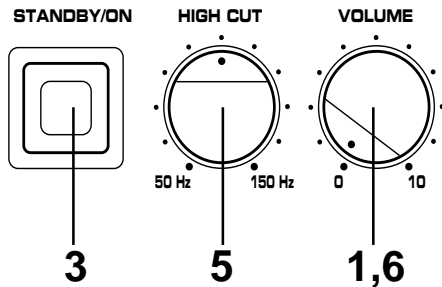
* Het niveau van laagfrequente ingangssignalen verschilt per bron en met elk deel van een en dezelfde bron. Deze functie kan dus mogelijk niet naar behoren uitgevoerd worden, afhankelijk van de bronnen.

Deze functie is uitsluitend beschikbaar wanneer de stroomtoevoer van dit apparaat is ingeschakeld (door het instellen van de STANDBY/ON toets op ON 2).

AFSTELLEN VAN DE GELUIDSSTERKTE

De instellingen voor de **HIGH CUT** regelaar en de **VOLUME** regelaar kunnen ietwat correctie behoeven, afhankelijk van de gebruikte hoofd-luidsprekers, de akoestiek van de luisterkamer, de geluidsbron e.d.

Voorpaneel

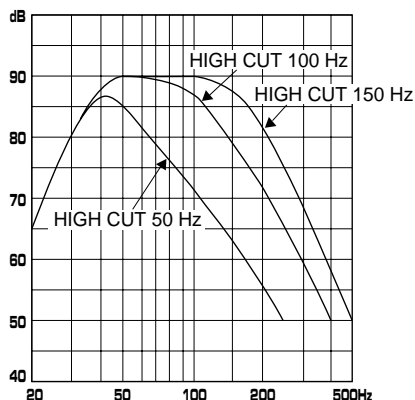


- 1 Zet de **VOLUME** regelaar in de minimumstand (0).
- 2 Schakel de andere componenten in.
- 3 Druk op de **STANDBY/ON** toets om dit apparaat in te schakelen.
- 4 Start de weergave van een geluidsbron en stel de totale geluidssterkte naar wens in met de volumeregelaar van de versterker.
- 5 Zet de **HIGH CUT** regelaar in de beste stand voor de aangesloten hoofd-luidsprekers.
Gewoonlijk stelt u de regelaar in op de laagste frequentie die uw hoofd-luidsprekers nog goed kunnen weergeven. Als deze instelling niet naar wens klinkt, probeert u dan een andere instelling van de regelaars uit.
* De laagste frequentie die de hoofd-luidsprekers kunnen weergeven staat gewoonlijk vermeld in de luidsprekercatalogus of de gebruiksaanwijzing ervan.
- 6 Draai de **VOLUME** regelaar geleidelijk hoger om de balans van deze ultralaag-luidspreker en uw hoofd-luidsprekers optimaal af te regelen.
Gewoonlijk stelt u de regelaar zo in dat u iets meer bassen kunt horen dan zonder dit apparaat.

Wanneer u de geluidssterkte van deze ultralaag-luidspreker eenmaal evenredig met uw hoofd-luidsprekers hebt afgesteld zoals hieronder aangegeven, kunt u verder het totaalvolume naar wens instellen met de volumeregelaar van uw versterker.

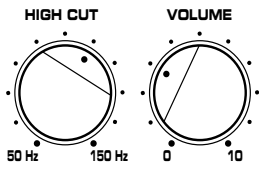
FREQUENTIEKARAKTERISTIEKEN

Frequentiekaracteristieken van dit apparaat

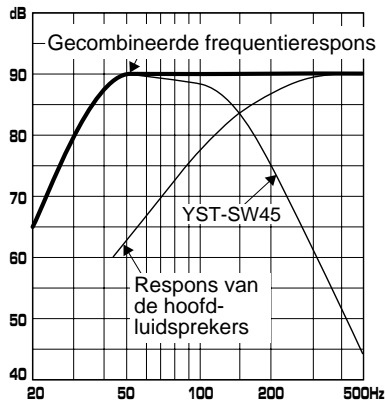


De onderstaande afbeeldingen tonen de optimale instelling van de genoemde regelaars en de resulterende frequentiecarakteristieken bij gebruik van dit apparaat in combinatie met een stel gewone hoofd-luidsprekers.

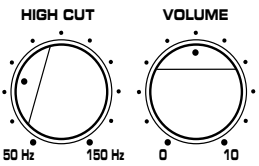
Voorbeeld 1 In combinatie met hoofd-luidsprekers van 8 cm tot 10 cm doorsnede, in een akoestisch opgehangen 2-wegsysteem



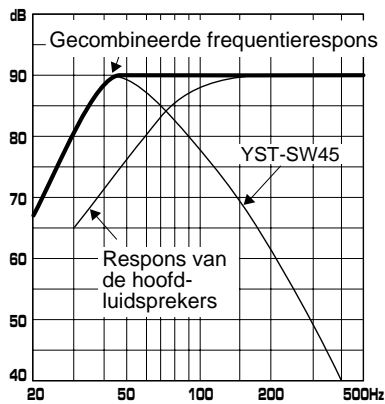
* Eén stapje van deze regelaar komt overeen met 10 Hz.



Voorbeeld 2 In combinatie met luidsprekers van 13 cm doorsnede, in een akoestisch opgehangen 2-wegsysteem



* Eén stapje van deze regelaar komt overeen met 10 Hz.



ADVANCED YAMAHA ACTIVE SERVO TECHNOLOGY

De theorie van de Yamaha Active Servo Technology is gebaseerd op twee belangrijke factoren, de Helmholtz resonator en negatieve impedantie aandrijving. Active Servo Processing luidsprekers geven de frequenties van de lage tonen weer via een "luchtwoofer", welke een kleine poort of opening is in de behuizing van de luidspreker. Deze opening wordt gebruikt in plaats van een woofer welke bij een conventioneel luidsprekersysteem de functies van een normale woofer uitvoert. Op deze wijze kunnen de signalen van een lage amplitude binnen in de behuizing, overeenkomstig de Helmholtz resonantie theorie via deze opening uitgevoerd worden in de vorm van golven van hoge amplitude, indien het ontwerp zodanig is dat de grootte van de opening en het volume van de behuizing in een juiste verhouding zijn en voldoen aan een bepaalde formule.

Teneinde dit te bewerkstelligen, dienen bovendien de amplitudes binnen in de behuizing zowel nauwkeurig als ook van voldoende vermogen te zijn, aangezien deze amplitudes bestand dienen te zijn tegen de "belasting" die gevormd wordt door de lucht die zich binnen in de behuizing bevindt.

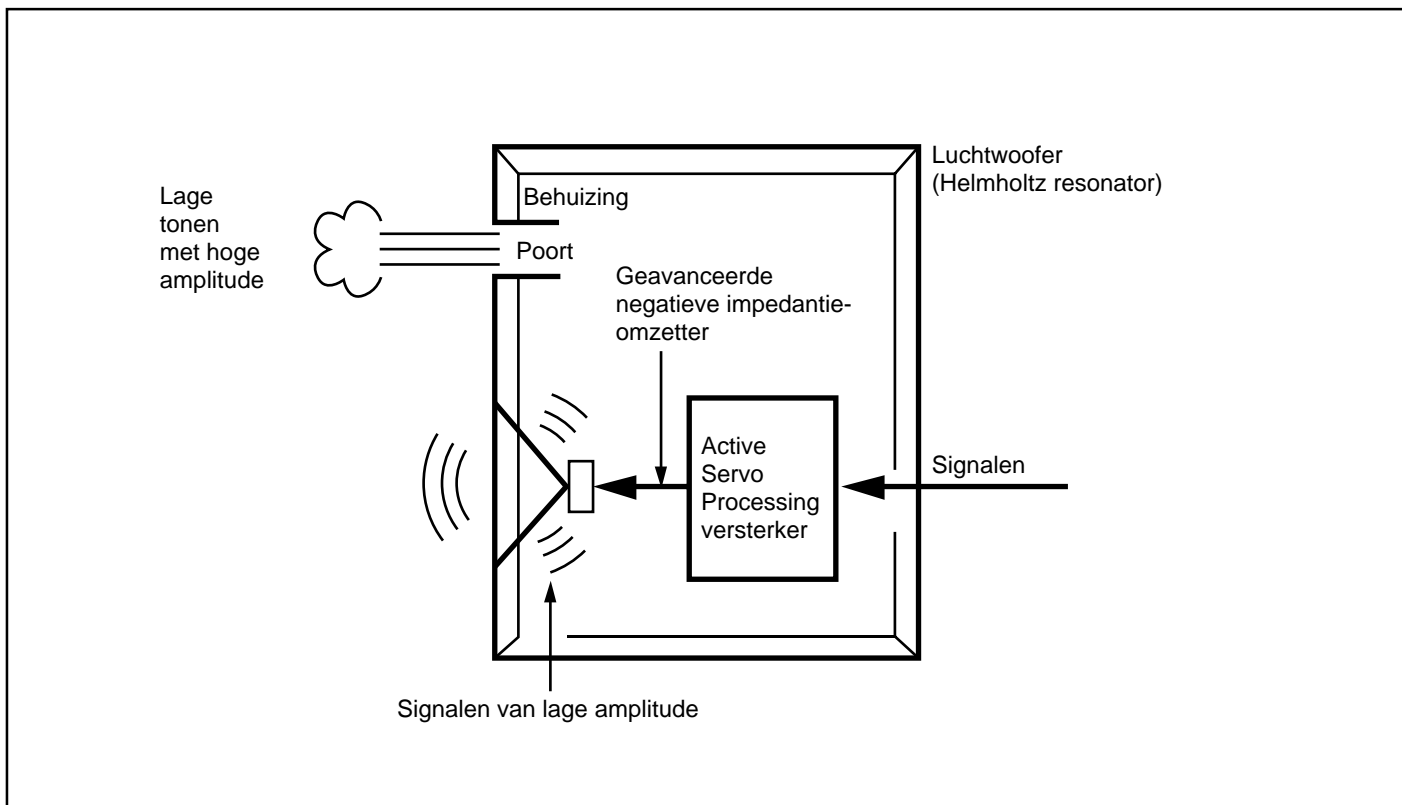
Het is dan ook dit probleem dat opgelost wordt door de keuze van een ontwerp waarbij de versterker dienst doet als leverancier van de signalen. Indien de elektrische weerstand van de toonspoel tot nul verminderd wordt, zal de beweging van de luidspreker-eenheid lineair worden ten opzichte van de signaalspanning. Om dit te bewerkstelligen, wordt er gebruik gemaakt van een speciale versterker met negatieve

impedantie uitgangssignaal-aandrijving voor het aftrekken van de uitgangssignaal-impedantie van de versterker.

Door het gebruik van circuits voor negatieve impedantie uitgangssignaal-aandrijving, kan de versterker nauwkeurige lage amplitude en lage frequentie golven met superieure dempingskarakteristieken opwekken, zodat deze golven vervolgens vanuit de opening in de behuizing als signalen met hoge amplitude naar buiten gestraald worden. Het systeem is daardoor in staat door het gebruik van de versterker voor negatieve impedantie uitgangssignaal-aandrijving en de luidsprekerbehuizing met de Helmholtz resonator een buitengewoon breed bereik van frequenties met een verrassende geluidskwaliteit en minder vervorming weer te geven.

De hierboven aangegeven bijzonderheden vormen in combinatie de fundamentele structuur van de conventionele Yamaha Active Servo Technology.

Onze nieuwe actieve servo-technologie — Advanced Yamaha Active Servo Technology — omvat nu ook de Advanced Negative Impedance Converter (ANIC) circuits, waarmee een conventionele negatieve impedantie-omzetter dynamisch wordt aangepast om de optimale waarde voor de luidspreker-impedantie te kiezen. Met deze nieuwe ANIC circuits kan de Advanced Yamaha Servo Technology meer stabiele prestaties leveren en een betere maximale geluidsdruk bereiken dan de conventionele Yamaha Active Servo Technology, voor een nog natuurlijker en meer energieke basweergave.



VERHELPEN VAN STORINGEN

Controleer de volgende punten indien het apparaat niet normaal functioneert en probeer of het probleem verholpen kan worden met de aangegeven maatregelen. Is het probleem niet zo eenvoudig te verhelpen, of staat het probleem niet vermeld in de kolom PROBLEEM, trekt u dan de stekker uit het stopcontact en neem contact op met uw erkende YAMAHA dealer of reparatiedienst.

PROBLEEM	OORZAAK	OPLOSSING
Het apparaat krijgt geen stroom.	De stekker van het netsnoer is niet goed aangesloten of de POWER hoofdschakelaar staat in de OFF stand.	Steek de netsnoerstekker stevig in een werkend stopcontact en zet de POWER hoofdschakelaar in de ON stand.
Er klinkt geen geluid.	De VOLUME regelaar staat in de 0 (minimum) stand.	Draai de VOLUME regelaar naar rechts.
	De luidsprekersnoeren zijn niet stevig aangesloten.	Sluit de stekkers van de luidsprekersnoeren stevig aan.
De geluidsterkte is onvoldoende.	De luidsprekersnoeren zijn niet juist aangesloten.	Sluit de luidsprekersnoeren correct aan: L (links) aansluiten op L, R (rechts) op R, + op + en – op –.
	De weergegeven geluidsbron bevat te weinig lage tonen.	Geef een geluidsbron met meer bassen weer. Zet de HIGH CUT regelaar in een hogere stand.
	Er valt te veel geluid weg door staande golven.	Verplaats de ultralaag-luidspreker of onderbreek de parallelle oppervlakken door boekenplanken, enz. langs de wanden te plaatsen.
Het apparaat wordt niet automatisch ingeschakeld.	De POWER hoofdschakelaar staat in de OFF stand.	Zet de POWER hoofdschakelaar in de ON stand.
	De STANDBY/ON toets staat op OFF.	Zet de STANDBY/ON toets in de ON stand.
	De AUTO STANDBY schakelaar staat in de OFF stand.	Zet de AUTO STANDBY schakelaar in de HIGH of LOW stand.
	Het niveau van de ingangssignalen is te gering.	Zet de AUTO STANDBY schakelaar in de HIGH stand.
Het apparaat wordt plotseling uitgeschakeld (in de gebruiksklaar-stand).	Het niveau van de ingangssignalen is te gering.	Zet de AUTO STANDBY schakelaar in de HIGH stand.
Het apparaat wordt plotseling vanzelf ingeschakeld.	Dit kan zich voordoen bij krachtige geluidssignalen van andere apparatuur e.d.	Zet het apparaat verder weg van de storing veroorzakende apparatuur en/of leid de aangesloten luidsprekersnoeren anders. Als het probleem blijft bestaan, zet u de AUTO STANDBY schakelaar in de OFF stand.

TECHNISCHE GEGEVENS

Type Active Servo Processing Subwoofersysteem
Luidspreker-eenheid 20 cm conus-woofer (JA2162)
 magnetisch afgeschermd type x 1
Versterker-uitgangsvermogen 70 watt/5 ohm
Afsnijfilter voor hoge frequenties 50 Hz tot 150 Hz
 (-24 dB/oct.)
Frequentiebereik 30 Hz tot 200 Hz (-10 dB)
Spanningsvereisten
Modellen voor de V.S. en Canada 120 V, 60 Hz
 wisselstroom
Model voor Australië 240 V, 50 Hz wisselstroom

Modellen voor Europa en Groot-Brittannië
 230 V, 50 Hz wisselstroom
Algemeen en Chinese modellen 110/120/220/240 V,
 50/60 Hz wisselstroom (instelbaar met spanningskiezer)
Stroomverbruik 55 watt
Afmetingen (b × h × d) 235 mm × 365 mm × 318 mm
Gewicht 9 kg
Bijgeleverde Accessoire Anti-slip rubbers

* Ontwerp en specificaties zijn onder voorbehoud en kunnen zondere nadere kennisgeving worden gewijzigd.



YAMAHA ELECTRONICS CORPORATION, USA 6660 ORANGETHORPE AVE., BUENA PARK, CALIF. 90620, U.S.A.
YAMAHA CANADA MUSIC LTD. 135 MILNER AVE., SCARBOROUGH, ONTARIO M1S 3R1, CANADA
YAMAHA ELECTRONIK EUROPA G.m.b.H. SIEMENSSTR. 22-34, 25462 RELINGEN BEI HAMBURG, F.R. OF GERMANY
YAMAHA ELECTRONIQUE FRANCE S.A. RUE AMBROISE CROIZAT BP70 CROISSY-BEAUBOURG 77312 MARNE-LA-VALLEE CEDEX02, FRANCE
YAMAHA ELECTRONICS (UK) LTD. YAMAHA HOUSE, 200 RICKMANSWORTH ROAD WATFORD, HERTS WD1 7JS, ENGLAND
YAMAHA SCANDINAVIA A.B. J A WETTERGRENS GATA 1, BOX 30053, 400 43 VÄSTRA FRÖLUNDA, SWEDEN
YAMAHA MUSIC AUSTRALIA PTY, LTD. 17-33 MARKET ST., SOUTH MELBOURNE, 3205 VIC., AUSTRALIA

YAMAHA CORPORATION
UD VIDEO V598930