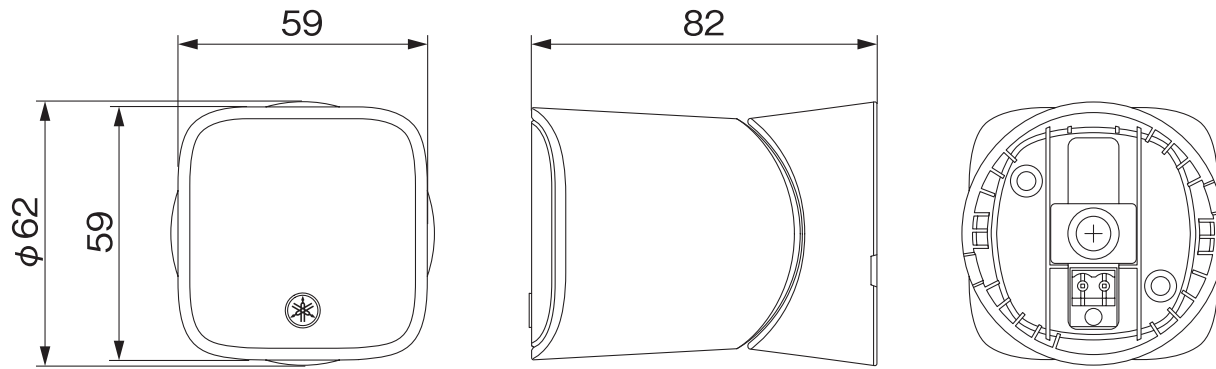
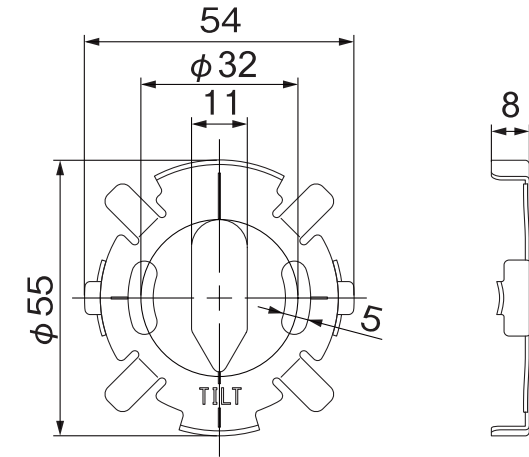


Dimensions

VXS1MLB / VXS1MLW



WALL/CEILING BRACKET



CMA1MB / CMA1MW (OPTION)

