

This manual describes the procedure for painting the grilles and enclosures of the VXS and VXC series speakers. It is recommended to use acrylic lacquer paint for the enclosure of the VXS series. Follow the instructions provided with the paint.

VXS series

CAUTION The enclosure of the subwoofer (VXS10S / VXS10SW / VXS10ST / VXS10STW) is PVC coated, and therefore should not be painted.

Removing the grille

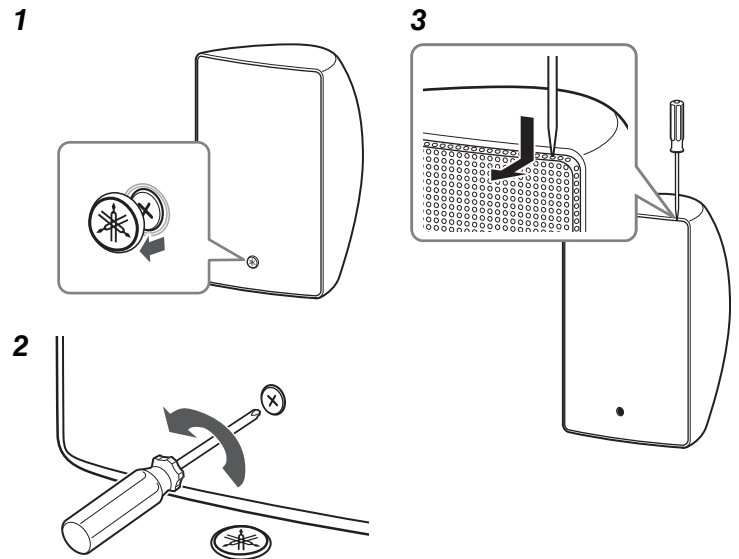
1 Remove the emblem on the front of the grille.

- The emblem is attached by adhesive tape.

2 Remove the screw behind the emblem, using a crosshead screw driver.

3 Remove the speaker grille.

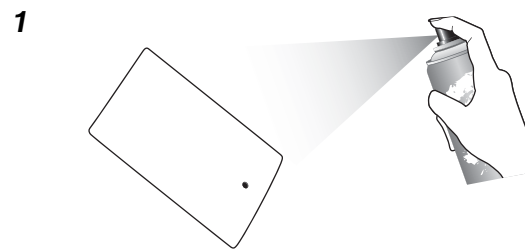
- Remove the grille using a narrow, pointed tool.
- Remove the corner of the grille first. Using excessive force may distort the grille.
- Be careful not to damage the butyl rubber on the inner edge of the grille.



Painting the grille

1 Paint the grille using spray-type paint.

2 Allow the applied paint to completely dry.



Painting the enclosure

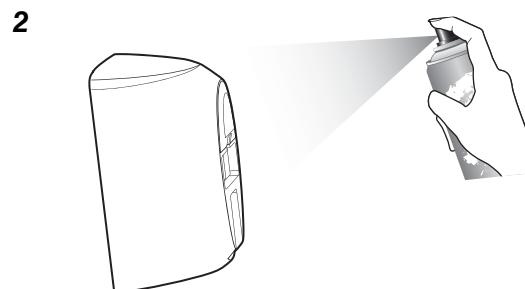
1 Remove any dust, etc., with a lint-free cloth.

- Do not sand the enclosure surface.

2 Paint the enclosure using spray-type paint.

- Cover the baffle and connectors using masking materials to avoid paint contact.

3 Allow the applied paint to completely dry.



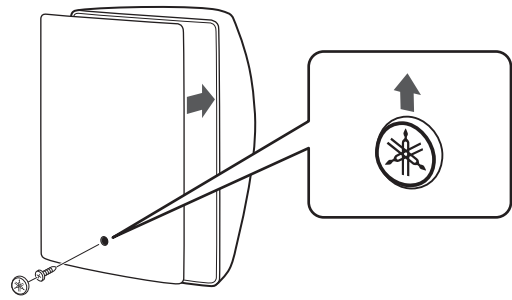
Reattaching the grille

Reattach the grille and emblem by reversing the steps of "Removing the grille".

- Reattach the emblem in the correct position.

NOTE

Do not apply force at the center area of the grille, as it may be distorted.

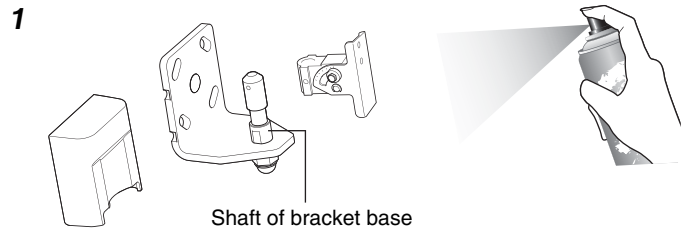


Painting the bracket

1 Paint the bracket using spray-type paint.

- Cover the shaft of the bracket base with masking materials to avoid paint contact.

2 Allow the applied paint to completely dry.



VXC4 / VXC4W / VXC6 / VXC6W / VXC8 / VXC8W

Painting the grille

1 Remove the emblem on the front of the grille.

- The emblem is attached by adhesive tape.

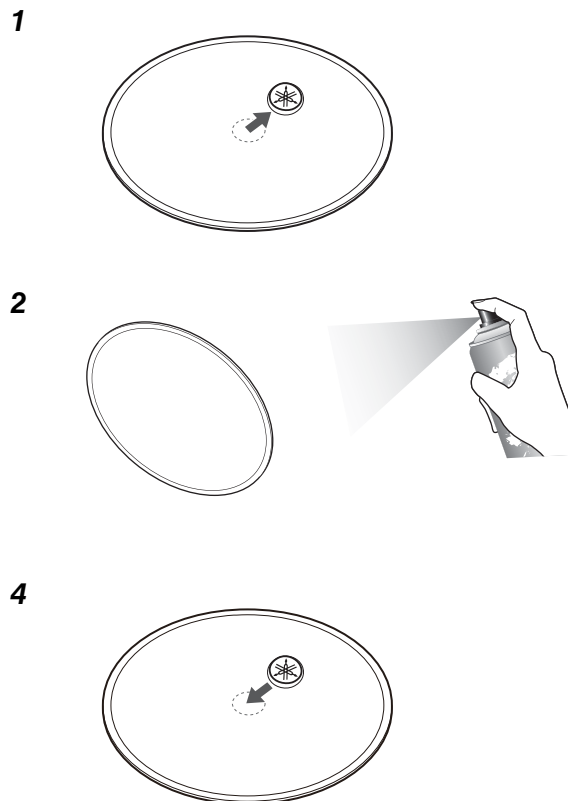
2 Paint the grille using spray-type paint.

- We recommend removing the non-woven material behind the grille.

3 Allow the paint to completely dry.

4 Reattach the emblem to the grille.

- If the non-woven material was removed, replace it in the original position.
- Use the center hole of the non-woven material as a guide, and reattach the emblem to the grille.



CAUTION

- Work in an area that has adequate ventilation.
- Painting procedures often require the use of volatile solvents. Follow all necessary safety precautions to avoid any risk of a fire.
- Work carefully to avoid injury when removing/attaching the grille.
- Yamaha cannot be held responsible for any damage to the speaker(s) as a result of painting them.