

YAMAHA
ELECTRONIC PIANO

*CP***7**

OWNER'S MANUAL

CONGRATULATIONS

Congratulations on becoming the owner of a Yamaha CP7 Electronic Piano. The CP7 is a compact, lightweight electronic piano that can be played anywhere, anytime. Its keyboard covers a broad five-octave range, and there are four voice selectors – PIANO I, PIANO II, HARPSICHORD I and HARPSICHORD II – which can be used independently or combined to create a broad variety of voice mixtures.

The CP7 also features a built-in amplifier system with dual speakers for a rich, full sound that emanates from the entire instrument rather than just from a single tiny speaker as in comparable models. Taking full advantage of its dual speaker system, the CP7 even has a beautiful stereo chorus effect that creates a vibrant multi-instrument sound.

Please be sure to read this manual thoroughly in order to get maximum enjoyment from your Yamaha CP7 Electronic Piano.

CONTENTS

Precautions	1
Features and Functions/Connection	2
Operation/Basic Controls	4
Block Diagram	5
Specifications	6

PRECAUTIONS

LOCATION

Avoid placing your electronic piano in direct sunlight or close to a source of heat. It is also important to avoid locations in which the instrument is likely to be subjected to vibration, excessive dust, cold or moisture.

HANDLING

Avoid applying excessive force to the instrument's knobs and switches.

POWER CORD

Always grip the power plug directly when unplugging. Removing the power plug from the wall socket by pulling on the power cord can result in damage to or shorting of the power cord.

Be sure to unplug your electronic piano if you will not be using it for an extended period of time.

RELOCATION

When moving the electronic piano once it has been set up, be sure to disconnect all cords that connect the instrument to other equipment. This will help to prevent accidental damage to or shorting of interconnection cables.

CONNECTION

Follow the "CONNECTION" instructions given in this manual carefully when setting up your electronic piano. Connection errors can lead to serious damage to the instrument, amplifier and speakers.

CLEANING

Do not use solvents such as benzine or thinner to clean your electronic piano, as these may cause discoloration or staining of the instrument's exterior. Use a soft, dry cloth.

SAVE THIS MANUAL

After studying this manual thoroughly, it should be stored in a safe place for future reference.

LIGHTNING

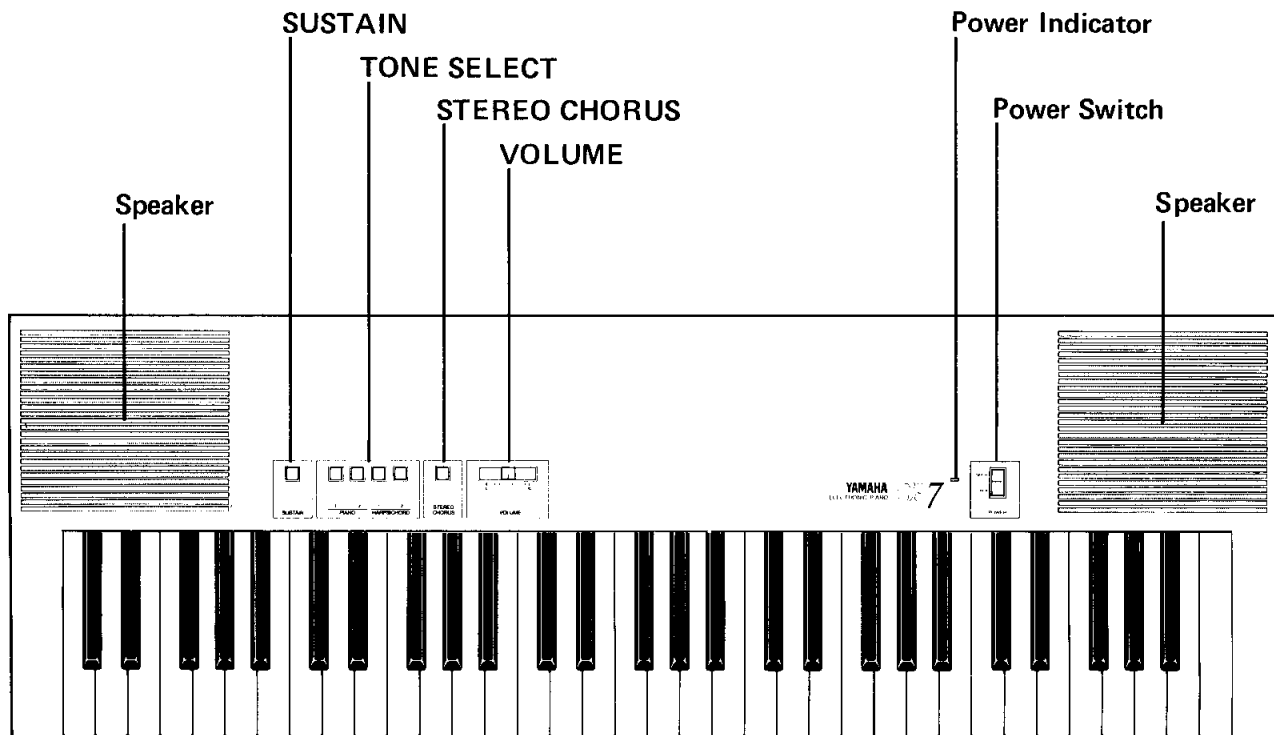
In the event of an electrical storm, the instrument's power cord should be unplugged to eliminate the possibility of serious damage.

OTHER APPLIANCES

Use your electronic piano where its digital circuitry cannot be influenced by electromagnetic radiation from appliances such as televisions, radios, etc.

FEATURES AND FUNCTIONS/CONNECTION

Since the CP7 features a built-in amplifier and speakers, you can begin playing the instrument as soon as you plug in the power cord and turn on the power switch. In order to become familiar with the operation of the CP7, follow the procedure outlined below.



1. Power Cord

Insert the CP7 power plug into the most convenient AC wall outlet.

2. Power Switch

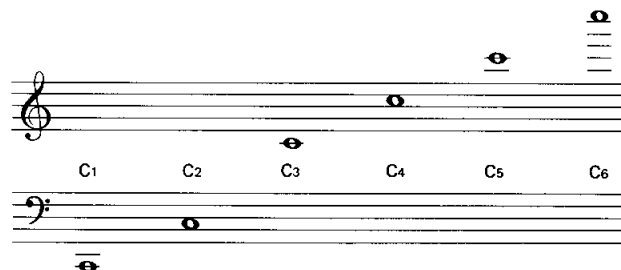
Push the POWER switch located to the far right of the control panel to the ON position. The power indicator will light and the CP7 is ready to play.

Now, set up the panel controls as follows:

- Depress the TONE SELECT PIANO I button.
- Gradually turn up the VOLUME control while depressing one of the CP7's keys and you should hear the corresponding note from the built-in speaker.

The keyboard range is from C1 to C6 (61 keys, 5 octaves).

Keyboard Range



3. Connection to an External Speaker System

In order to use headphones or an external speaker system rather than the built-in speaker system, the headphones or amp/speaker must be connected to the appropriate jack (or jacks) on the CP7 rear panel.

① OUTPUT I and II

Either one of these jacks can be used to provide the CP7 output signal to an external power amplifier, integrated amp/speaker (such as any standard music instrument amplifier) or mixer. A speaker with no built-in amplifier cannot be connected directly to these jacks. A power amplifier and speaker system or an integrated amp/speaker must be used.

- Although the CP7's chorus effect is heard if a single amp-speaker system is connected, the full stereo chorus effect can only be obtained if the OUTPUT I and II jacks are fed to two independent amp/speaker systems, a stereo amplifier and speakers, or two channels of a

mixer that will be assigned to the left and right stereo program busses.

- Output Level = -20 dBm (line level)
- Impedance = 600 ohms

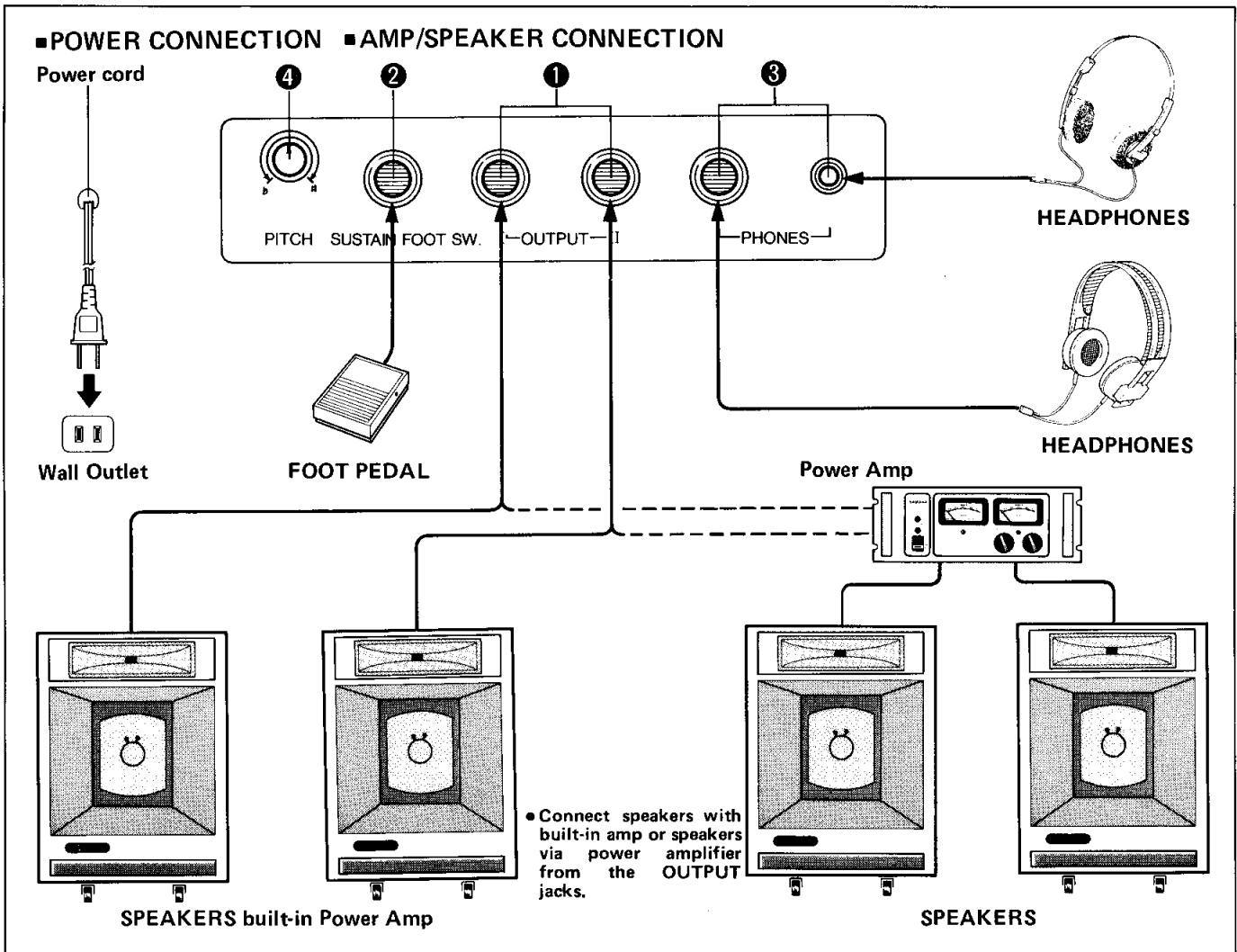
② SUSTAIN FOOT SW.

The FC-5 foot pedal (supplied) is connected to this jack. The foot pedal permits convenient foot control of the sustain on/off function.

- The top-panel SUSTAIN switch must be ON for the sustain pedal to function (see SUSTAIN switch description in next section).

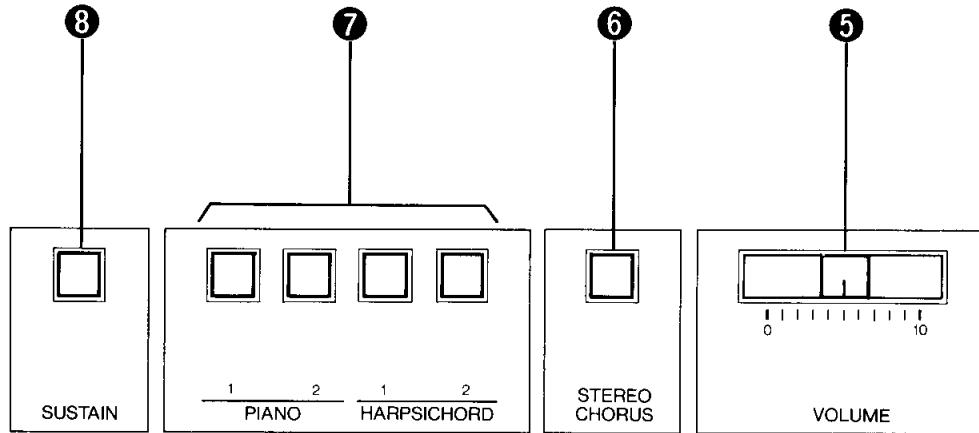
③ PHONES (phone and mini)

Two headphone jacks are provided: one standard phone jack and a mini jack. Both accept virtually any standard pair of stereo headphones. The standard phone jack accepts most headphones designed for home stereo use, while the mini jack accepts most of the newer lightweight headphones designed for portable cassette player use.



OPERATION/BASIC CONTROLS

After you have made all necessary connections and checked out the basic operation of the instrument, experiment with the following controls while playing the keyboard.



4 PITCH (rear panel)

Turning this control clockwise raises the instrument's overall pitch, while turning counterclockwise lowers the overall pitch. Standard pitch of 440 Hz (A3) is obtained when the control is set just a little to the left of its center position. Control range is from 435 to 451 Hz.

5 VOLUME

Adjusts the overall volume of the CP7 sound.

- When using an external amplifier and speaker system, setting the external amplifier volume control so that the most comfortable overall volume is obtained when the CP7 VOLUME control is set to about "8" results in the best sound quality.

6 STEREO CHORUS

This switch turns the CP7's vibrant stereo chorus effect ON or OFF.

7 TONE SELECT

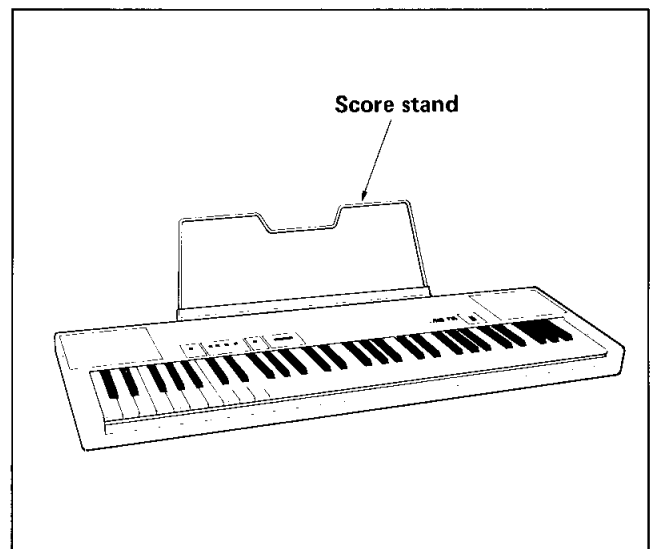
These switches determine the basic CP7 sound. There are four basic selections, PIANO I and PIANO II, and HARPSICHORD I and HARPSICHORD II. The sound created by the PIANO I selector is different from the PIANO II selector. The same is true for HARPSICHORD I and II. Thus you can enjoy varied sound colors by selecting different combinations of the four tone selector switches.

- If all of these switches are turned off, no sound will be heard even if a key is depressed.

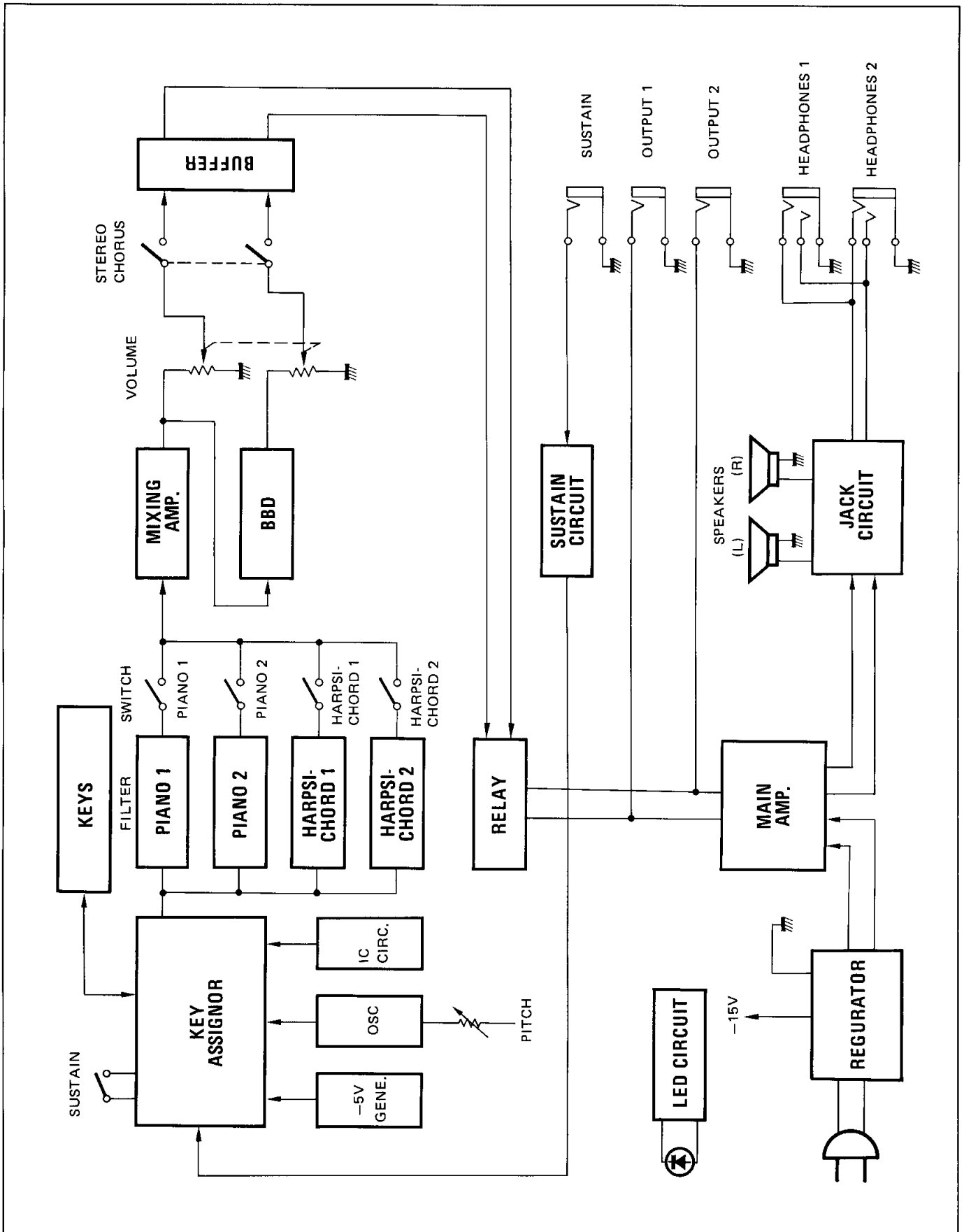
8 SUSTAIN

When the external foot pedal is not connected this switch turns the CP7 sustain effect on or off. When the SUSTAIN switch is ON, you get an effect similar to that obtained when the sustain pedal on an acoustic piano is depressed (a gradual decrease in the level of the sound after a key is pressed, even if the key is not held). If the SUSTAIN switch is OFF, the sound produced by playing a key stops immediately when the key is released.

- The SUSTAIN switch must be ON for the foot sustain pedal to function.
- If the foot sustain pedal is connected, the sustain effect is only applied when the foot pedal is pressed.



BLOCK DIAGRAM



SPECIFICATIONS

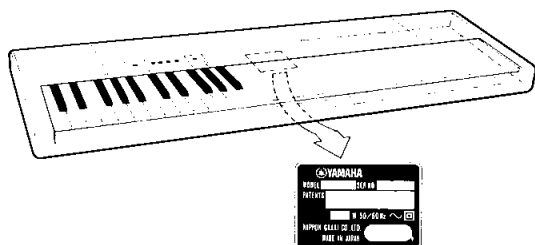
Keyboard	61 keys, C ₁ – C ₆
PITCH Control	435 to 451 Hz
SUSTAIN Switch	ON/OFF when foot pedal not connected
SUSTAIN FOOT SW	Sustain ON/OFF when SUSTAIN SW ON
TONE Selectors	PIANO I PIANO II HARPSICHORD I HARPSICHORD II
STEREO CHORUS Switch	ON/OFF
VOLUME Control	Continuously variable slider
POWER Switch	ON/OFF with indicator LED
Speakers	10-cm x 2
Internal Amplifier	5 watts x 2

REAR PANEL

OUTPUT I, II	1/4" phone jacks 600 ohms, -20 dBm
HEADPHONES	1 1/4" stereo phone jack and 1 stereo mini jack, 40 ohms
SUSTAIN FOOT SW	1/4" mono phone jack
Power Requirements	U.S. and Canada: 120 V, 50/60 Hz General Model: 220 – 240 V, 50/60 Hz
Power Consumption	U.S. and Canada: 22 W General Model: 26 W
Dimensions (W x H x D)	902 x 80 x 301 mm (35-1/2" x 3-1/8" x 11-7/8")
Weight	9 kg (19 lbs 12 oz)
Accessories	FC-5 foot pedal, Score stand

* Specifications and Design are subject to change due to improvement.

- Where to find the Name plate
- Hire ist das Typenschild angebracht
- Placering av namnplåten
- Plassering av navneplaten



SERVICE

The CP7 are supported by Yamaha's worldwide network of factory trained and qualified dealer service personnel. In the event of a problem, contact your nearest Yamaha dealer.

SINCE 1887  **YAMAHA**
NIPPON GAKKI CO., LTD. HAMAMATSU, JAPAN