

XYLOPHONE YX2035PR

取扱説明書

Owner's Manual

Benutzerhandbuch

Mode d'emploi

Manual de instrucciones

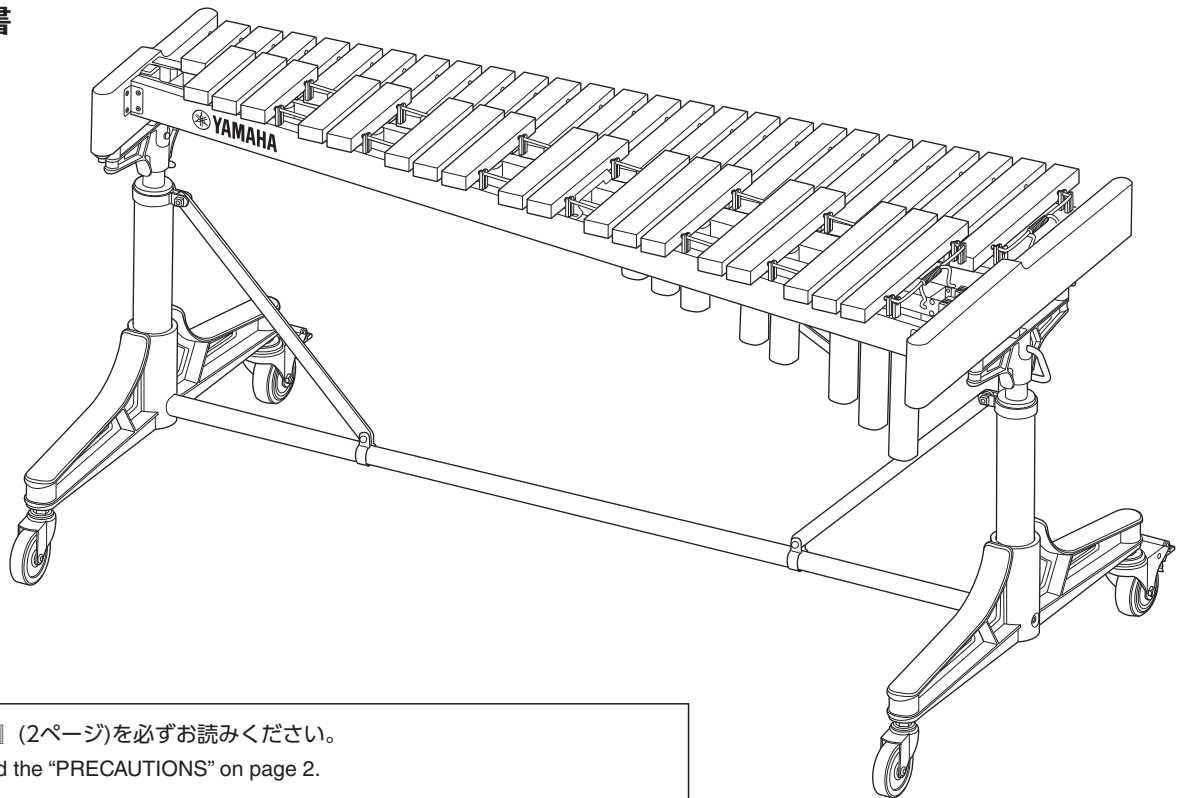
Manual do Proprietário

Руководство пользователя

使用说明书

사용설명서

使用説明書



『安全上のご注意』（2ページ）を必ずお読みください。

Make sure to read the "PRECAUTIONS" on page 2.

Lesen Sie unbedingt die "VORSICHTSMASSNAHMEN" auf Seite 2.

Assurez-vous de lire "PRÉCAUTIONS D'USAGE" à la page 2.

Asegúrese de leer "PRECAUCIONES" en la página 2.

Certifique-se de ler "PRECAUÇÕES" na página 2.

Обязательно прочтите разделы «ПРАВИЛА ТЕХНИКИ БЕЗОПАСНОСТИ» на стр. 2.

务请阅读第2页“注意事项”。

2 페이지의 “안전 주의사항” 을 반드시 읽어 주십시오.

請務必詳閱第 2 頁的「注意事項」。

PRECAUTIONS

MAKE SURE TO READ CAREFULLY BEFORE PROCEEDING

Please keep this manual in a safe and handy place for future reference.



CAUTION

Always follow the basic precautions listed below to avoid the possibility of physical injury to you or others, or damage to the instrument or other property. If a small child handles this instrument, make sure that the supervisor or instructor will accompany the child. These precautions include, but are not limited to, the following:

Do not disassemble

- Do not repair the instrument or replace its parts unless otherwise advised in this manual. If you have any questions, be sure to consult your local dealer.
- Do not disassemble the gas springs. Pressured nitrogen gas is sealed inside the gas springs. Disassembling them may cause the gas to escape in a burst, possibly resulting in bodily injury or breakage of the instrument.

Assembly

- Assemble the instrument in the proper sequence by following the assembly instructions in this manual. Also, make sure to tighten the screws or bolts regularly. Failure to do so may result in damage to the instrument or cause the instrument to overturn, possibly causing injury.

Transportation and Installation

- The instrument must be assembled or moved by at least two people. Failure to do so may result in damage to the instrument or the instrument overturning, possibly causing injury.
- Do not place the instrument in an unstable position where it may accidentally fall over.
- Lock both left and right casters except when moving or transporting the instrument. Failure to do so may result in the instrument moving or overturning, possibly causing injury.
- When lifting and transporting the instrument, support the side frames with two or more people.
- The instrument should only be moved across smooth, flat surfaces when using the casters. On a sloped, unstable or gravel surface, the instrument may overturn or run out of control, and possibly cause injury.
- Never run when moving or transporting the instrument using the casters. Doing so may result in the instrument hitting an obstacle or wall and causing serious injury.
- Do not go near the instrument during an earthquake. Strong shaking during an earthquake could cause the instrument to move or tip over, resulting in damage to the instrument or its parts, possibly causing injury.

Handling

- When the instrument rattles, makes noise or vibrates, immediately stop using it, and tighten all screws again. Failure to do so may result in the instrument overturning and could possibly cause injury.
- Do not insert your hands or feet into any gaps under the movable parts, such as casters. Otherwise, they may be caught, possibly causing you injury.
- Do not play around the instrument. Doing so may cause you to bump into the instrument, possibly resulting in injury. It also may cause the instrument to overturn. Do not allow children to play around the instrument.
- Do not lean, rest your weight or place heavy objects on the instrument. Doing so may result in the instrument overturning, damage to the tone bars or frame, or injury to you or others.
- Keep small parts out of the reach of infants. Children may accidentally swallow them.

Yamaha cannot be held responsible for damage caused by improper use or modifications to the instrument.

NOTICE

To avoid the possibility of damage to the product, follow the notices below.

■ Handling

- Use mallets suitable for playing the xylophone. Using mallets that are not suitable for playing the xylophone may dent or scratch the tone bars. It may also cause the instrument to go out of tune.
- Do not use the instrument in locations with poor ventilation.
- When moving the instrument, make sure all caster stoppers are released. Lift the instrument slightly whenever moving it over surfaces that are not smooth or flat.
- We recommend that you use the tip of your foot instead of fingers to unlock the casters.
- When moving the instrument, move it gently avoiding shocks and impacts. The instrument is sensitive to shocks and may become damaged. Also, the height may change due to shock. Please reconfirm the height after moving.
- If the instrument is often moved, screws, parts, etc., may become loose. After moving the instrument, check and make sure all screws, parts, etc., are firmly fastened. Firmly tighten all loose items.
- Do not apply excessive force to lift the frame end as it may pull the gas spring off from the leg.
- Do not expose the instrument to rain, water, excessive dust or vibrations, or extreme cold or heat (such as in direct sunlight, near a heater, or in a car during the day) to prevent the possibility of instrument disfiguration or malfunction.
- Do not place vinyl, plastic or rubber objects on the instrument, since this may discolor the instrument.

■ Maintenance

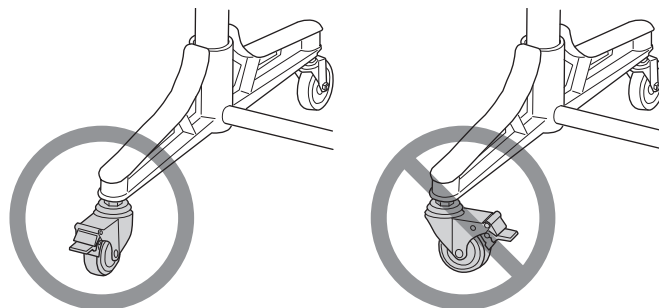
- Use a dry, soft cloth to clean the tone bars. Never use alcohol, thinner, benzine or a damp cloth. Otherwise, damage may be caused to the instrument, such as to the surface coating of the tone bars.

Due to the action of natural elements in the wood, the surface of the tone bars may eventually become covered by a white powdery residue. This will not affect the quality or performance of the product. Use a dry, soft cloth to wipe off this residue if it appears.

INFORMATION

■ Casters

Before you play the instrument, make sure that the casters are positioned in the same orientation as the feet on the stand. As the angle between the leg and the caster approaches at a right angle, a rattling sound is more likely to be generated from the caster when playing.



■ About this manual

- The illustrations as shown in this manual are for instructional purposes only, and may appear somewhat different from those on your instrument.
- The company names and product names in this manual are the trademarks or registered trademarks of their respective companies.

Introduction

Thank you for purchasing the Yamaha YX2035PR xylophone.

You can use this xylophone in a school performance or for your own entertainment or hobby.

To get full use and performance enjoyment from this instrument, please read this owner's manual carefully before using it.

After you have read the manual, keep it in a safe and handy place for future reference.

Confirmation of Packing Contents

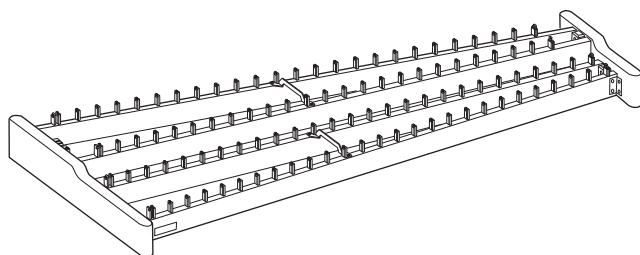
Please make sure your package includes the parts shown below before assembling the instrument.

* If any parts are missing, please contact your dealer or qualified Yamaha service personnel.

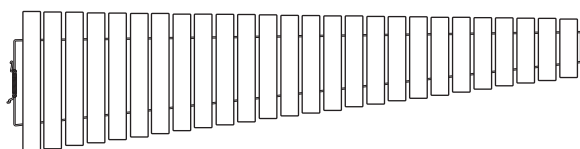
- ① Owner's Manual
(this document)



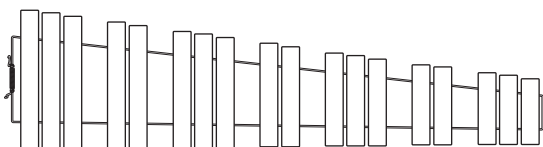
- ② Frame x 1



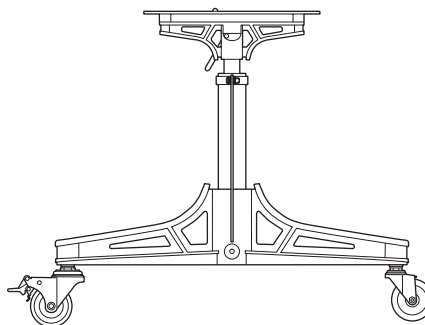
- ③ A set of natural tone bars x 1



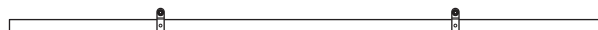
- ④ A set of accidental tone bars x 1



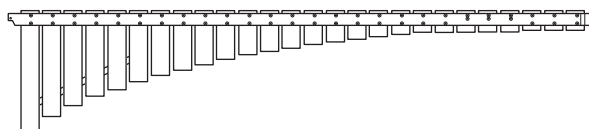
- ⑤ Left leg x 1, Right leg x 1
(This figure illustrates the left leg.)



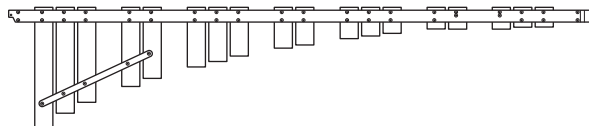
- ⑥ Center pole x 1



- ⑦ Resonators (natural tone) x 1



- ⑧ Resonators (accidental tone) x 1



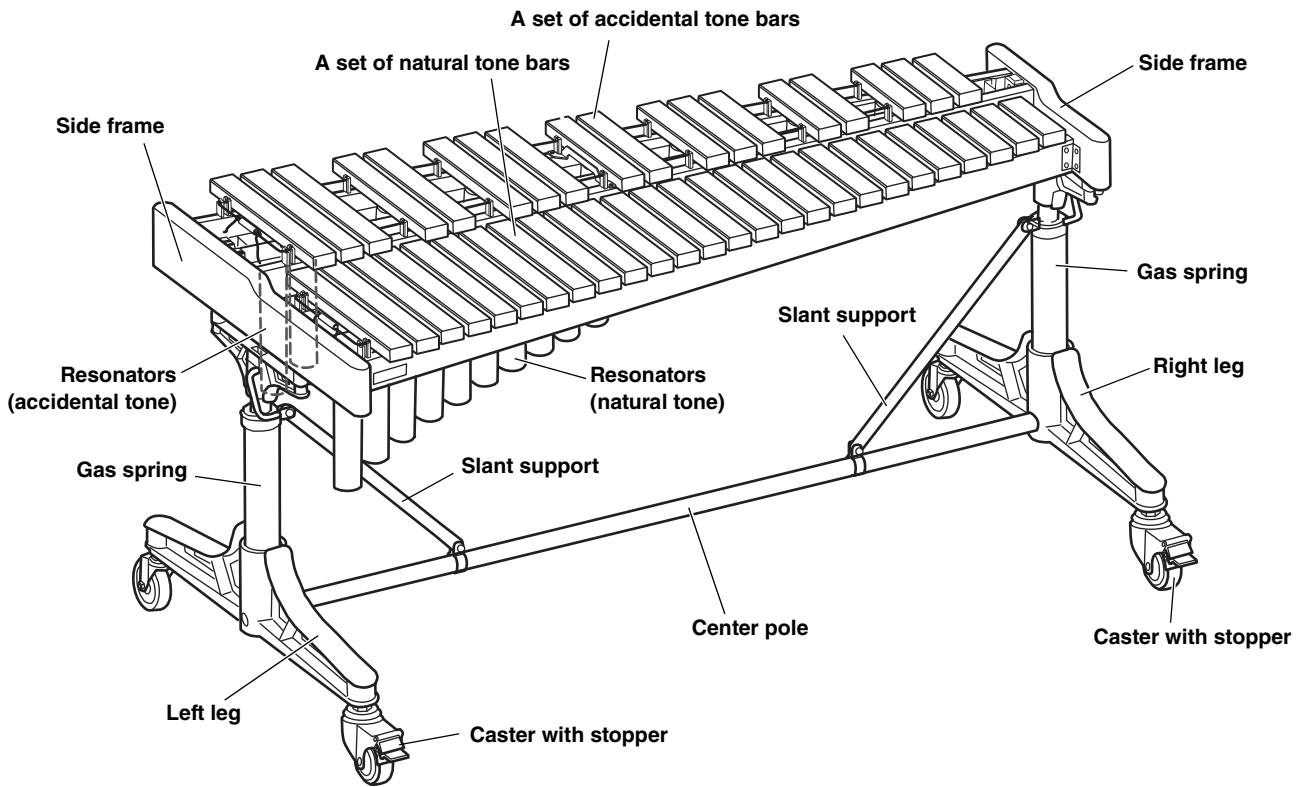
- ⑨ Drop cover x 1

- ⑩ M8 socket screw x 2, M6 socket screw x 6

- ⑪ Hex key (Allen wrench) x 1

- ⑫ Yamaha representative or authorized distributor list x 1

Part Names



Assembly

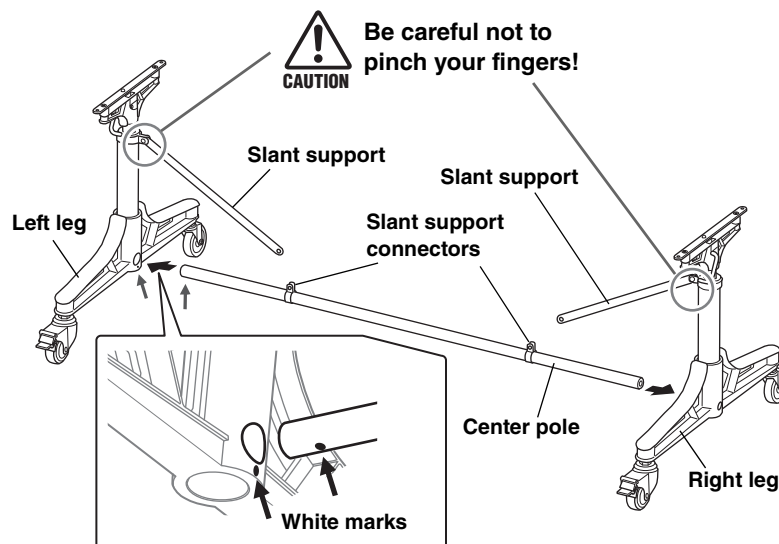


The instrument should be assembled by at least two people.

- Assembly must be carried out by people with knowledge of handling xylophones.
- Assemble the instrument in a place where there is sufficient room.

1. Connect the center pole to the left and right legs.

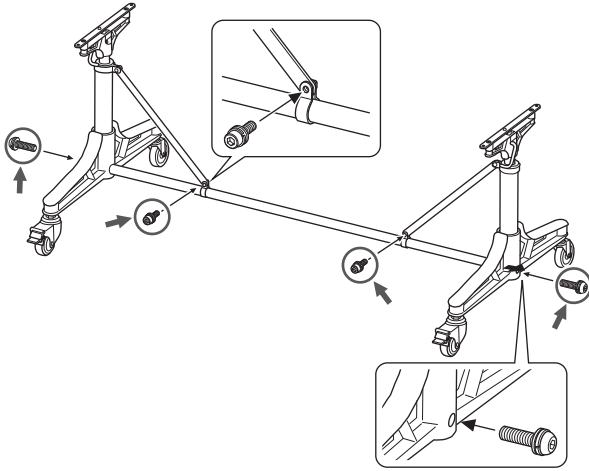
At this time, make sure that the slant support connectors on the center pole face up.



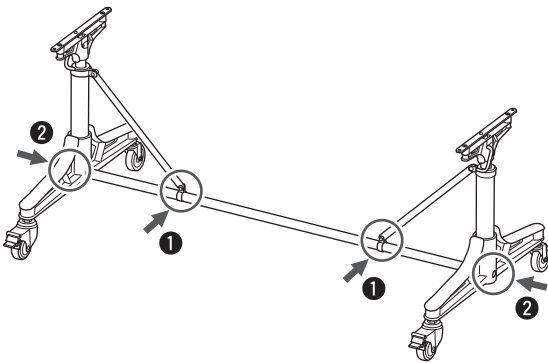
Assembly

- 2. Use the supplied hex key to lightly tighten the socket screws in four locations indicated by arrows (↑) in the figure.**

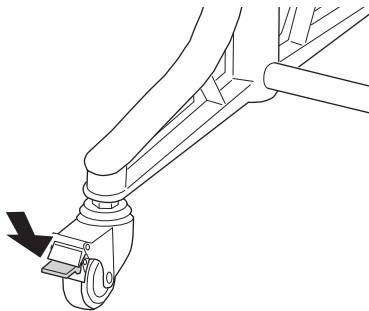
Use M8 socket screws to fix the center pole to the legs, and M6 socket screws to fix the slant supports to the center pole.



- 3. After making sure that each joint is connected, securely tighten ① the socket screws for the slant supports first, and then ② the socket screws for the center pole.**



- 4. Lock the casters by pressing the stoppers on the left and right casters.**

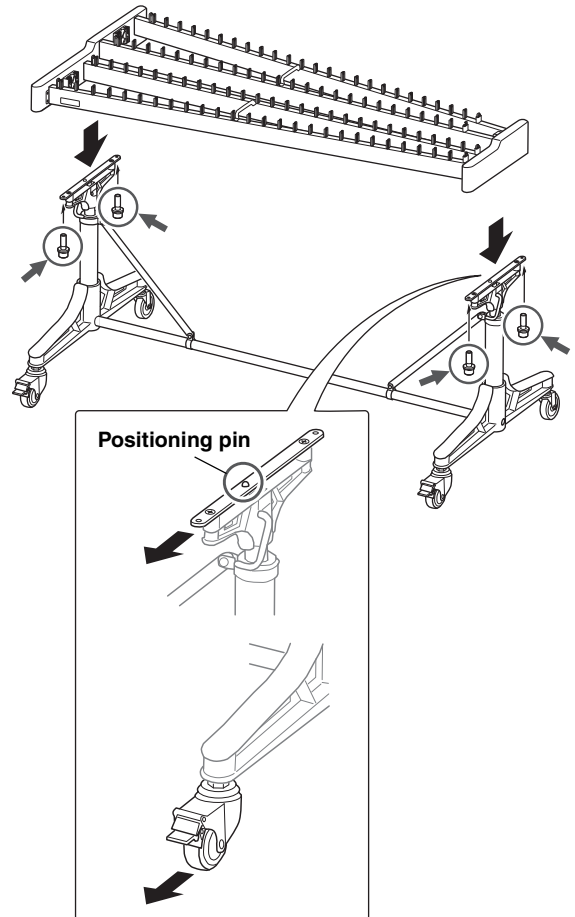


NOTICE

- We recommend that you use the tip of your foot instead of fingers to lock the casters.

- 5. Mount the frame on top of the legs, and then tighten the M6 socket screws in four locations indicated by arrows (↑) in the figure.**

A positioning pin (a small protrusion) on the plate of each leg should be located slightly closer to the performer's side (i.e., toward the side of the caster with stopper). When mounting the frame, make sure that the positioning holes on the bottom of the side frames align with these pins. Otherwise, the frame will not click properly onto the legs.

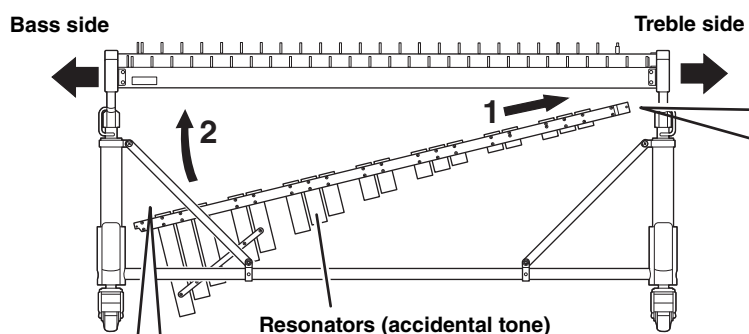


6. Install the resonators.

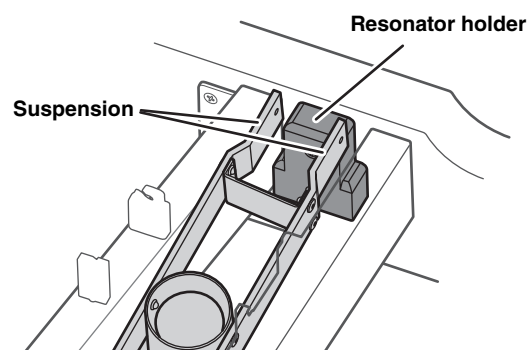
Pass the resonators from underneath the frame, and then mount both ends onto the resonator holders by following the steps described in the illustrations below. First, rest the end of the treble-side suspension on one of the holders, and then insert the end of the bass-side suspension into the other holder.

NOTICE

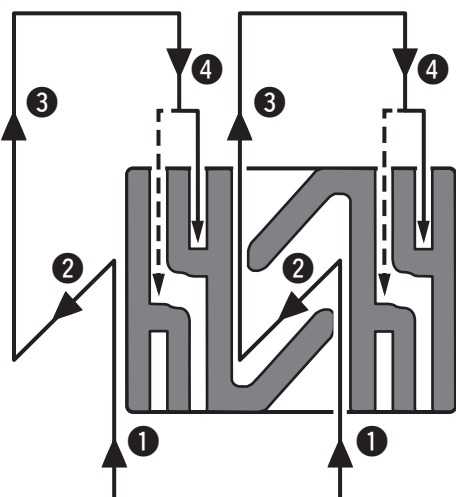
- Make sure not to confuse the natural tone side and accidental tone side resonators when installing them.
- Take care not to bump the resonators against the legs or other parts of the instrument.



1 Rest the end of the treble-side suspension on the resonator holder.

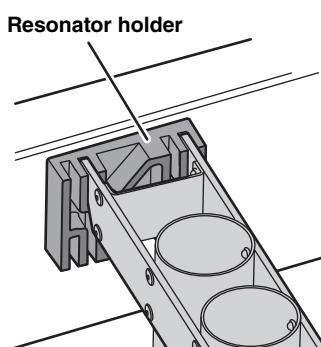


2 Pass the end of one of the bass-side rails through the center slit of the holder all the way up from the bottom to the outside of the holder ① → ② → ③. Then, from the top of the holder, insert the end of both bass-side rails into appropriate grooves ④.

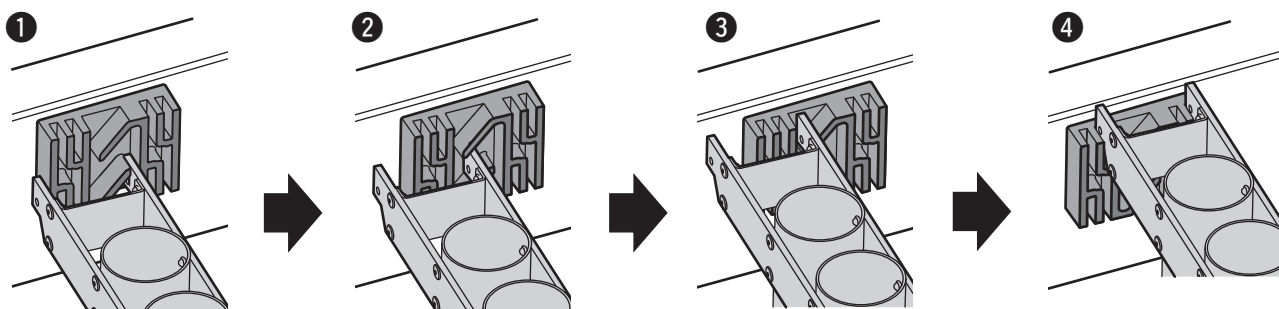
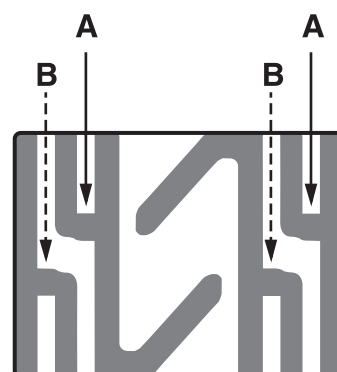


④ Select the appropriate grooves for the bass-side rails of the resonators.

- If the room temperature is 23°C/73.4°F or higher:
 - Select the shallow grooves on the holder (marked as grooves **A** in the diagram below).
- If the room temperature is lower than 23°C/73.4°F:
 - Select the deep grooves on the holder (marked as grooves **B** in the diagram below).



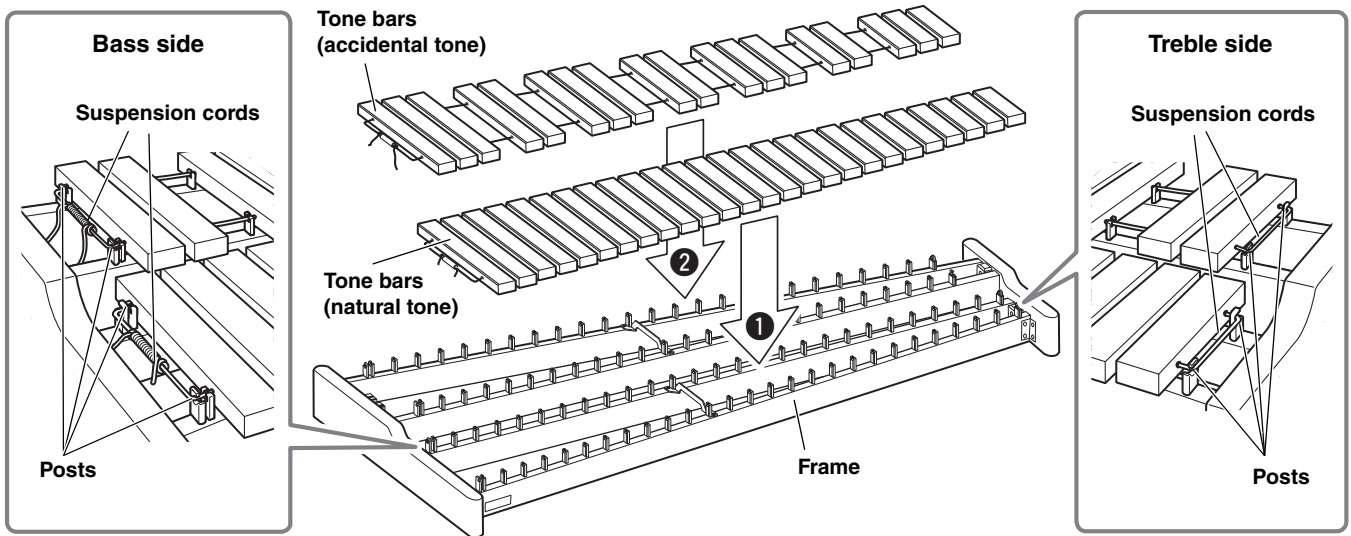
(In this illustration, grooves **A** have been selected.)



Assembly

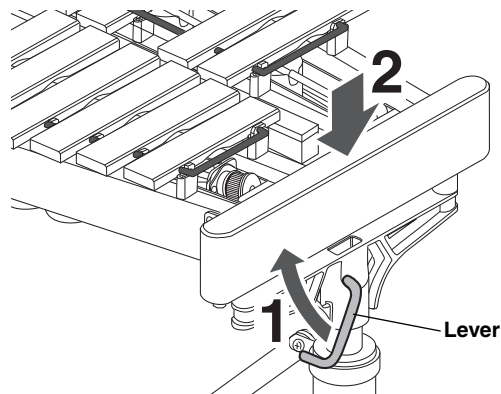
7. Install the natural tone bars ① and then the accidental tone bars ② on the frame, in this order.

Hook the suspension cord onto the metal posts at the end of the treble and bass sides, and then gently press down the tone bars into each space between the posts..



8. Adjust the instrument height.

To raise the instrument height, pull up the levers on the left and right legs. To lower the instrument height, press down on the side frames firmly while keeping the levers pulled up. When you release the levers, the instrument height will be fixed at that height.



NOTE

- The legs have a scale that serves as a guide for adjusting the height.
- We recommend that you lower the height slightly more than you think necessary, and then make minor adjustments while raising it little by little.
- Adjust the left and right height at the same time to maintain the level of the tone bars.
- Grease has been applied to the cylinders of the legs to allow for smooth height adjustment. If the grease sticks to your hands, rinse it off with running water.

9. Upon completion of assembly, make sure that each socket screw is tightened firmly.

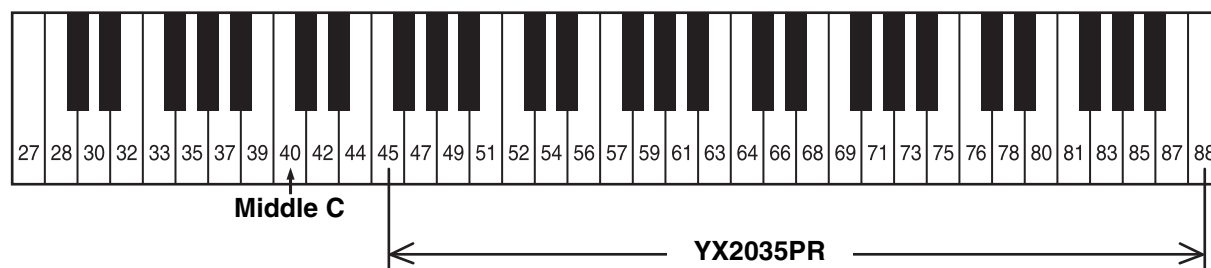
Assembly is now complete.

Specifications

Range	F45–C88 (3.5 octaves)
Reference pitch	442 Hz
Tone bar material	Pao rosa
Tone bar width × thickness	38 mm (1 1/2") × 21 mm (7/8")
Dimensions	Width: 137 cm (53 3/4") Height: 69–88 cm (27–34 1/2") Depth: 74 cm (29 1/8")
Weight	25 kg (55 1/8 lbs)
Included Accessories	Drop cover, Hex key, Owner's Manual (this document)

* The contents of this manual apply to the latest specifications as of the publishing date. To obtain the latest manual, access the Yamaha website and download the manual file. Since specifications, equipment or separately sold accessories may not be the same in every locale, please check with your Yamaha dealer.

● Comparison with piano keyboard



雅马哈乐器音响（中国）投资有限公司

上海市静安区新闻路1818号云和大厦2楼

客户服务热线：4000517700

公司网址：http://www.yamaha.com.cn

制造商：雅马哈株式会社

制造商地址：日本静岡県滨松市中央区中沢町10-1

进口商：雅马哈乐器音响（中国）投资有限公司

进口商地址：上海市静安区新闻路1818号云和大厦2楼

原产地：台湾

YAMAHA CORPORATION

10-1 Nakazawa-cho, Chuo-ku,
Hamamatsu, 430-8650 Japan

ヤマハ株式会社

〒430-8650 静岡県滨松市中央区中沢町10-1

© 2024 Yamaha Corporation
Published 10/2024 2024年10月 发行
IPOE-A1

VEZ9690